

NO.	DESCRIPTION	NO.	DESCRIPTION
1C	CARGO TANK VALVE	19C	CARGO HEADER
2C	LOAD VALVE	22C	BUTTERWORTH
3C	MASTER SUCTION VALVE	25C	10"x8" ECCENTRIC REDUCER
4C	DISCHARGE VALVE	27C	DRIP PAN DRAIN VALVE
5C	HEADER VALVE	28C	HIGH LOAD VALVE
6C	SALVAGE VALVE	11V	GAUGE STICK (LENGTH)
8C	RELIEF VALVE	18V	RESTRICTIVE GAUGE TUBE
9C	CHECK VALVE	30V	THERMAL WELL WITH PIPE CAP
9Cb	CHECK VALVE	38Cb	DEEPWELL DRAIN VALVE
15C	BYPASS VALVE (AROUND CHECK VALVE)	38Cb	GATE VALVE
16C	DISCHARGE PRESSURE GAUGE	38Cd	SPRING VALVE

NO.	DESCRIPTION	NO.	DESCRIPTION
19C	CARGO TANK VALVE	27C	6 BARREL DRIP PAN
22C	LOAD VALVE	28C	PICKLING LINE
25C	MASTER SUCTION VALVE	30V	ABOVE DECK PIPING
27C	DISCHARGE VALVE	38Cb	BELOW DECK PIPING

NO.	DESCRIPTION	NO.	DESCRIPTION
19C	CARGO TANK VALVE	19C	CARGO HEADER
22C	LOAD VALVE	22C	BUTTERWORTH
25C	MASTER SUCTION VALVE	25C	10"x8" ECCENTRIC REDUCER
27C	DISCHARGE VALVE	27C	DRIP PAN DRAIN VALVE
28C	HEADER VALVE	28C	HIGH LOAD VALVE
11V	GAUGE STICK (LENGTH)	11V	GAUGE STICK (LENGTH)
18V	RESTRICTIVE GAUGE TUBE	18V	RESTRICTIVE GAUGE TUBE
30V	THERMAL WELL WITH PIPE CAP	30V	THERMAL WELL WITH PIPE CAP
38Cb	DEEPWELL DRAIN VALVE	38Cb	DEEPWELL DRAIN VALVE
38Cb	GATE VALVE	38Cb	GATE VALVE
38Cd	SPRING VALVE	38Cd	SPRING VALVE

NO.	DESCRIPTION	NO.	DESCRIPTION
19C	CARGO TANK VALVE	19C	CARGO HEADER
22C	LOAD VALVE	22C	BUTTERWORTH
25C	MASTER SUCTION VALVE	25C	10"x8" ECCENTRIC REDUCER
27C	DISCHARGE VALVE	27C	DRIP PAN DRAIN VALVE
28C	HEADER VALVE	28C	HIGH LOAD VALVE
11V	GAUGE STICK (LENGTH)	11V	GAUGE STICK (LENGTH)
18V	RESTRICTIVE GAUGE TUBE	18V	RESTRICTIVE GAUGE TUBE
30V	THERMAL WELL WITH PIPE CAP	30V	THERMAL WELL WITH PIPE CAP
38Cb	DEEPWELL DRAIN VALVE	38Cb	DEEPWELL DRAIN VALVE
38Cb	GATE VALVE	38Cb	GATE VALVE
38Cd	SPRING VALVE	38Cd	SPRING VALVE

NO.	DESCRIPTION	NO.	DESCRIPTION
19C	CARGO TANK VALVE	19C	CARGO HEADER
22C	LOAD VALVE	22C	BUTTERWORTH
25C	MASTER SUCTION VALVE	25C	10"x8" ECCENTRIC REDUCER
27C	DISCHARGE VALVE	27C	DRIP PAN DRAIN VALVE
28C	HEADER VALVE	28C	HIGH LOAD VALVE
11V	GAUGE STICK (LENGTH)	11V	GAUGE STICK (LENGTH)
18V	RESTRICTIVE GAUGE TUBE	18V	RESTRICTIVE GAUGE TUBE
30V	THERMAL WELL WITH PIPE CAP	30V	THERMAL WELL WITH PIPE CAP
38Cb	DEEPWELL DRAIN VALVE	38Cb	DEEPWELL DRAIN VALVE
38Cb	GATE VALVE	38Cb	GATE VALVE
38Cd	SPRING VALVE	38Cd	SPRING VALVE

NO.	DESCRIPTION	NO.	DESCRIPTION
19C	CARGO TANK VALVE	19C	CARGO HEADER
22C	LOAD VALVE	22C	BUTTERWORTH
25C	MASTER SUCTION VALVE	25C	10"x8" ECCENTRIC REDUCER
27C	DISCHARGE VALVE	27C	DRIP PAN DRAIN VALVE
28C	HEADER VALVE	28C	HIGH LOAD VALVE
11V	GAUGE STICK (LENGTH)	11V	GAUGE STICK (LENGTH)
18V	RESTRICTIVE GAUGE TUBE	18V	RESTRICTIVE GAUGE TUBE
30V	THERMAL WELL WITH PIPE CAP	30V	THERMAL WELL WITH PIPE CAP
38Cb	DEEPWELL DRAIN VALVE	38Cb	DEEPWELL DRAIN VALVE
38Cb	GATE VALVE	38Cb	GATE VALVE
38Cd	SPRING VALVE	38Cd	SPRING VALVE

NO.	DESCRIPTION	NO.	DESCRIPTION
19C	CARGO TANK VALVE	19C	CARGO HEADER
22C	LOAD VALVE	22C	BUTTERWORTH
25C	MASTER SUCTION VALVE	25C	10"x8" ECCENTRIC REDUCER
27C	DISCHARGE VALVE	27C	DRIP PAN DRAIN VALVE
28C	HEADER VALVE	28C	HIGH LOAD VALVE
11V	GAUGE STICK (LENGTH)	11V	GAUGE STICK (LENGTH)
18V	RESTRICTIVE GAUGE TUBE	18V	RESTRICTIVE GAUGE TUBE
30V	THERMAL WELL WITH PIPE CAP	30V	THERMAL WELL WITH PIPE CAP
38Cb	DEEPWELL DRAIN VALVE	38Cb	DEEPWELL DRAIN VALVE
38Cb	GATE VALVE	38Cb	GATE VALVE
38Cd	SPRING VALVE	38Cd	SPRING VALVE

NO.	DESCRIPTION	NO.	DESCRIPTION
19C	CARGO TANK VALVE	19C	CARGO HEADER
22C	LOAD VALVE	22C	BUTTERWORTH
25C	MASTER SUCTION VALVE	25C	10"x8" ECCENTRIC REDUCER
27C	DISCHARGE VALVE	27C	DRIP PAN DRAIN VALVE
28C	HEADER VALVE	28C	HIGH LOAD VALVE
11V	GAUGE STICK (LENGTH)	11V	GAUGE STICK (LENGTH)
18V	RESTRICTIVE GAUGE TUBE	18V	RESTRICTIVE GAUGE TUBE
30V	THERMAL WELL WITH PIPE CAP	30V	THERMAL WELL WITH PIPE CAP
38Cb	DEEPWELL DRAIN VALVE	38Cb	DEEPWELL DRAIN VALVE
38Cb	GATE VALVE	38Cb	GATE VALVE
38Cd	SPRING VALVE	38Cd	SPRING VALVE

NO.	DESCRIPTION	NO.	DESCRIPTION
19C	CARGO TANK VALVE	19C	CARGO HEADER
22C	LOAD VALVE	22C	BUTTERWORTH
25C	MASTER SUCTION VALVE	25C	10"x8" ECCENTRIC REDUCER
27C	DISCHARGE VALVE	27C	DRIP PAN DRAIN VALVE
28C	HEADER VALVE	28C	HIGH LOAD VALVE
11V	GAUGE STICK (LENGTH)	11V	GAUGE STICK (LENGTH)
18V	RESTRICTIVE GAUGE TUBE	18V	RESTRICTIVE GAUGE TUBE
30V	THERMAL WELL WITH PIPE CAP	30V	THERMAL WELL WITH PIPE CAP
38Cb	DEEPWELL DRAIN VALVE	38Cb	DEEPWELL DRAIN VALVE
38Cb	GATE VALVE	38Cb	GATE VALVE
38Cd	SPRING VALVE	38Cd	SPRING VALVE

TRINITY MARINE

## KIRBY INLAND MARINE

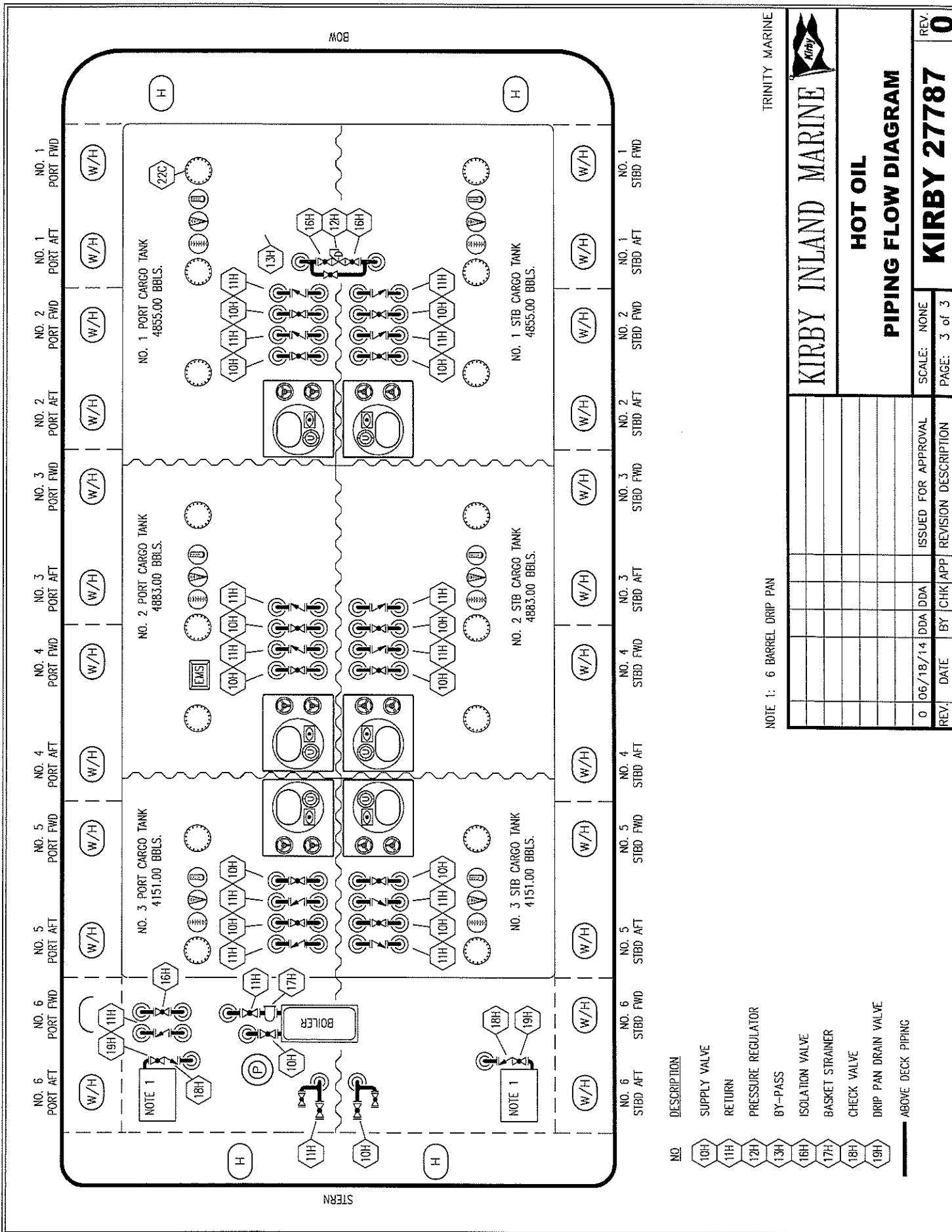
### CARGO PIPING FLOW DIAGRAM

**KIRBY 27787**

REV.	DATE	BY	CHK	APP	REVISION DESCRIPTION
0	06/18/14	DDA	DDA		ISSUED FOR APPROVAL

SCALE:	PAGE:
NONE	1 OF 3





TRINITY MARINE



**KIRBY INLAND MARINE**

**HOT OIL  
PIPING FLOW DIAGRAM**

REV. **0**

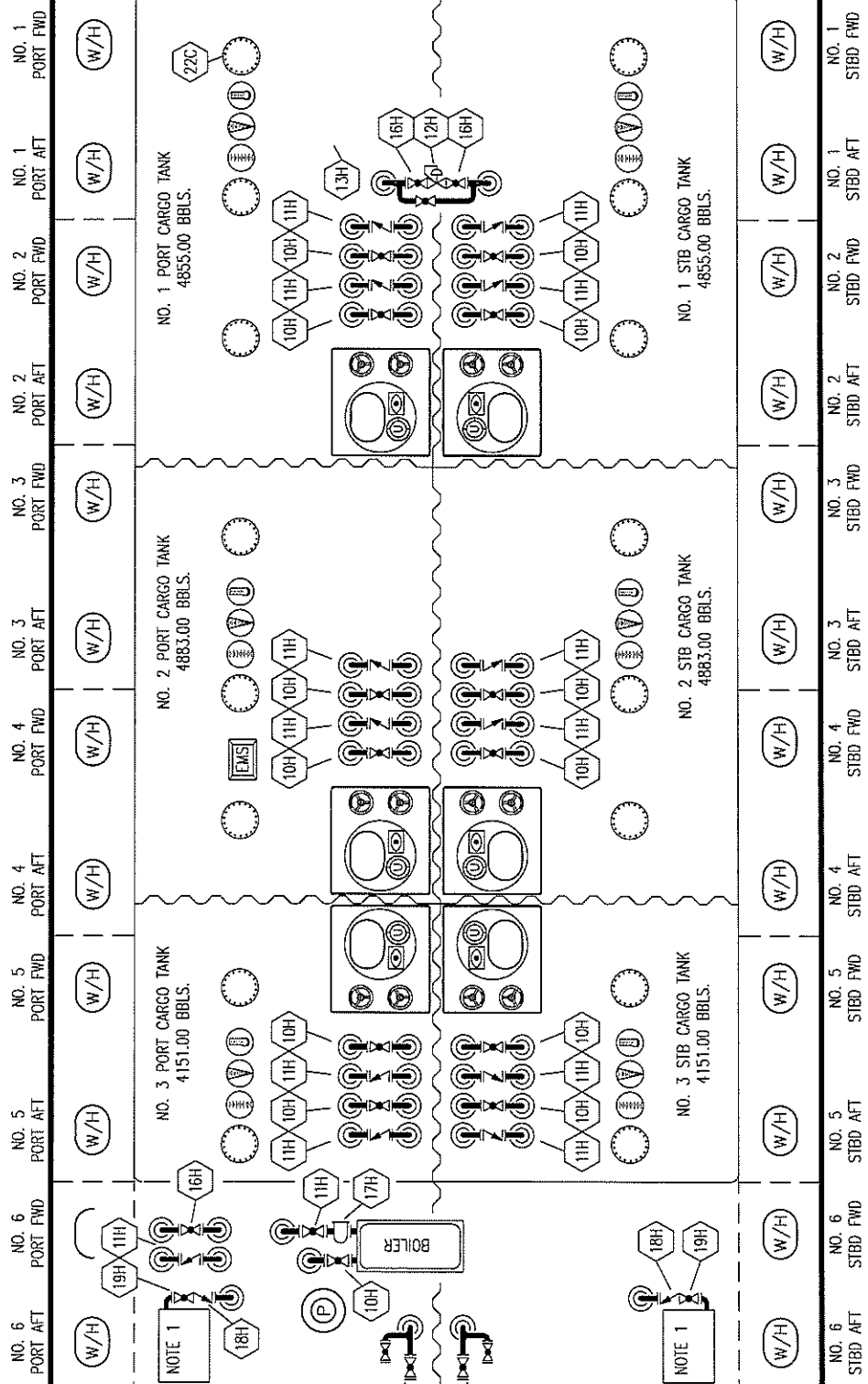
SCALE: NONE  
PAGE: 3 of 3

NOTE 1: 6 BARREL DRIP PAN

REV.	DATE	BY	CHK/APP	REVISION DESCRIPTION
0	06/18/14	DDA	DDA	ISSUED FOR APPROVAL

**NO. DESCRIPTION**

- 10H SUPPLY VALVE
  - 11H RETURN
  - 12H PRESSURE REGULATOR
  - 13H BY-PASS
  - 16H ISOLATION VALVE
  - 17H BASKET STRAINER
  - 18H CHECK VALVE
  - 19H DRIP PAN DRAIN VALVE
- ABOVE DECK PIPING



NO. 6 PORT AFT NO. 5 PORT AFT NO. 4 PORT AFT NO. 3 PORT AFT NO. 2 PORT AFT NO. 1 PORT AFT  
NO. 6 STBD FWD NO. 5 STBD FWD NO. 4 STBD FWD NO. 3 STBD FWD NO. 2 STBD FWD NO. 1 STBD FWD

NO. 6 PORT AFT NO. 5 PORT AFT NO. 4 PORT AFT NO. 3 PORT AFT NO. 2 PORT AFT NO. 1 PORT AFT

NO. 6 PORT AFT NO. 5 PORT AFT NO. 4 PORT AFT NO. 3 PORT AFT NO. 2 PORT AFT NO. 1 PORT AFT

NO. 6 PORT AFT NO. 5 PORT AFT NO. 4 PORT AFT NO. 3 PORT AFT NO. 2 PORT AFT NO. 1 PORT AFT

NO. 6 PORT AFT NO. 5 PORT AFT NO. 4 PORT AFT NO. 3 PORT AFT NO. 2 PORT AFT NO. 1 PORT AFT

NO. 6 PORT AFT NO. 5 PORT AFT NO. 4 PORT AFT NO. 3 PORT AFT NO. 2 PORT AFT NO. 1 PORT AFT

NO. 6 PORT AFT NO. 5 PORT AFT NO. 4 PORT AFT NO. 3 PORT AFT NO. 2 PORT AFT NO. 1 PORT AFT

NO. 6 PORT AFT NO. 5 PORT AFT NO. 4 PORT AFT NO. 3 PORT AFT NO. 2 PORT AFT NO. 1 PORT AFT

NO. 6 PORT AFT NO. 5 PORT AFT NO. 4 PORT AFT NO. 3 PORT AFT NO. 2 PORT AFT NO. 1 PORT AFT

NO. 6 PORT AFT NO. 5 PORT AFT NO. 4 PORT AFT NO. 3 PORT AFT NO. 2 PORT AFT NO. 1 PORT AFT

NO. 6 PORT AFT NO. 5 PORT AFT NO. 4 PORT AFT NO. 3 PORT AFT NO. 2 PORT AFT NO. 1 PORT AFT

NO. 6 PORT AFT NO. 5 PORT AFT NO. 4 PORT AFT NO. 3 PORT AFT NO. 2 PORT AFT NO. 1 PORT AFT

NO. 6 PORT AFT NO. 5 PORT AFT NO. 4 PORT AFT NO. 3 PORT AFT NO. 2 PORT AFT NO. 1 PORT AFT

NO. 6 PORT AFT NO. 5 PORT AFT NO. 4 PORT AFT NO. 3 PORT AFT NO. 2 PORT AFT NO. 1 PORT AFT

NO. 6 PORT AFT NO. 5 PORT AFT NO. 4 PORT AFT NO. 3 PORT AFT NO. 2 PORT AFT NO. 1 PORT AFT

NO. 6 PORT AFT NO. 5 PORT AFT NO. 4 PORT AFT NO. 3 PORT AFT NO. 2 PORT AFT NO. 1 PORT AFT