

NO	SIZE	DESCRIPTION	NO	SIZE	DESCRIPTION
1C	8"	CARGO TANK VALVE	19C	8"	CARGO HEADER
2C	8"	LOAD VALVE	22C	19"	BUTTERWORTH
3C	10"	MASTER SUCTION VALVE	25C	10"x8"	ECCENTRIC REDUCER
4C	8"	DISCHARGE VALVE	27C	4"	DRIP PAN DRAIN VALVE
5C	8"	HEADER VALVE	28C	6"	HIGH LOAD VALVE
6C	8"	SALVAGE VALVE	11V		GAUGE STICK (LENGTH)
8C	6"	RELIEF VALVE	18V		RESTRICTIVE GAUGE TUBE
9Ca	8"	CHECK VALVE	30V		THERMAL WELL WITH PIPE CAP
9Cb	1"	CHECK VALVE	38Ca		DEEPWELL DRAIN VALVE
15C	2"	BYPASS VALVE (AROUND CHECK VALVE)	38Cb	1"	GATE VALVE
16C		DISCHARGE PRESSURE GAUGE	38Cd	1"	SPRING VALVE

NOTE 2: 6 BARREL DRIP PAN
 NOTE 3: PICKLING LINE
 ABOVE DECK PIPING ———
 BELOW DECK PIPING - - -

REV.	DATE	BY	CHK	APP	REVISION DESCRIPTION
A	10/04/12	DCB	DDA		ISSUED FOR APPROVAL

KIRBY INLAND MARINE 

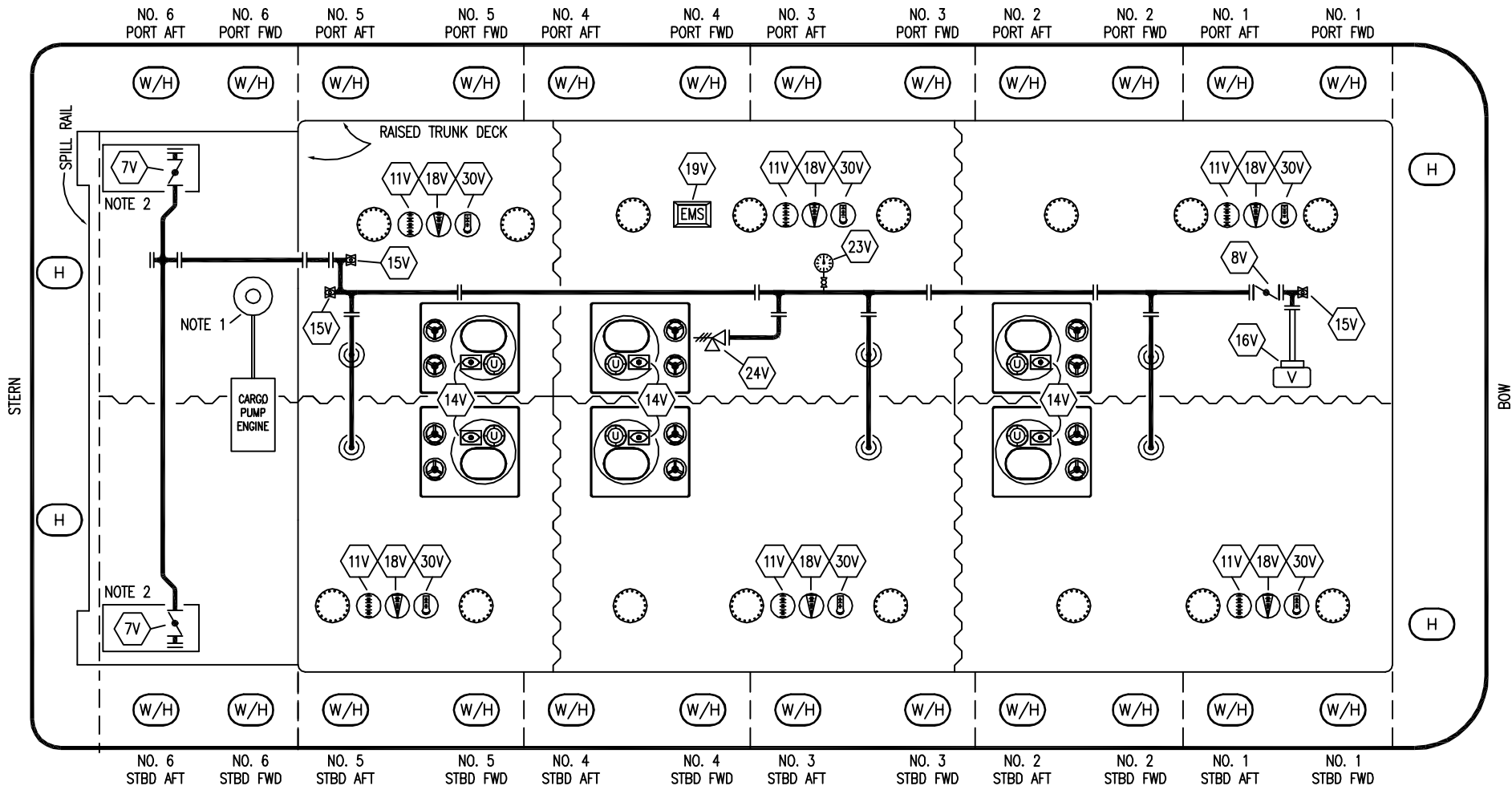
**CARGO
PIPING FLOW DIAGRAM**

SCALE: NONE
PAGE: 1 OF 3

KIRBY 27783

REV. **A**

TRINITY MARINE

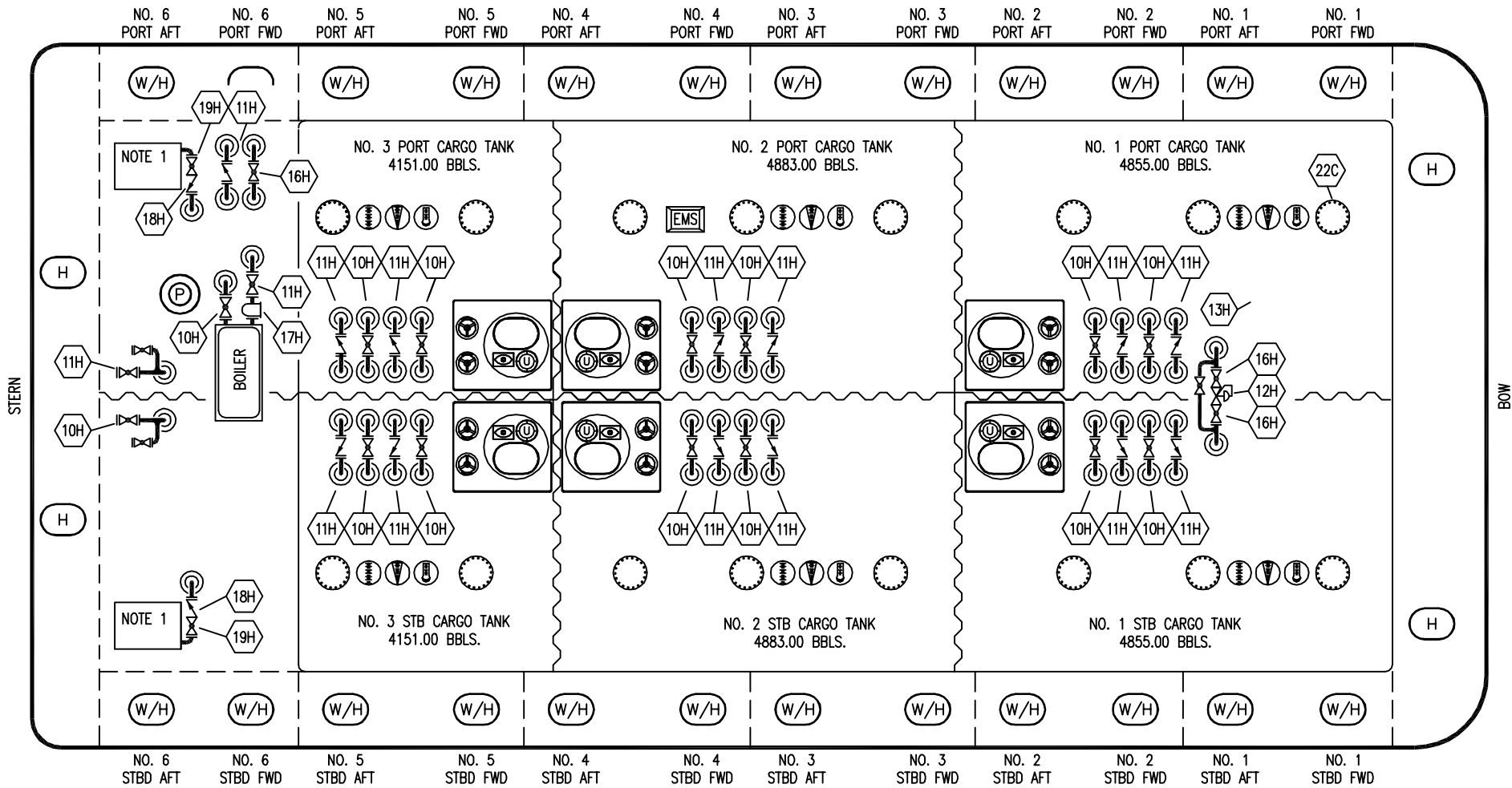


NO	SIZE	DESCRIPTION	NO	SIZE	DESCRIPTION
7V	8"	HEADER VALVE	24V	6"	PRESSURE RELIEF VALVE
8V	8"	VENT STACK VALVE	30V	2"	THERMAL WELL WITH PIPE CAP
11V		GAUGE STICK (LENGTH)			
14V		SIGHT GLASS			
15V		INSPECTION PORT			
16V	8"	VAPOR VENT STACK			
18V		RESTRICTIVE GAUGE TUBE			
19V		EMERGENCY SHUTDOWN SYSTEM			
23V		PRESSURE GAUGE			

NOTE 1: DEEPWELL PUMP
 NOTE 2: 6 BARREL DRIP PAN
 ABOVE DECK PIPING ———

TRINITY MARINE


<h1 style="margin: 0;">KIRBY INLAND MARINE</h1>					
<h2 style="margin: 0;">VAPOR</h2> <h3 style="margin: 0;">PIPING FLOW DIAGRAM</h3>					
A	10/04/12	DCB	DDA	ISSUED FOR APPROVAL	SCALE: NONE
REV.	DATE	BY	CHK	APP	REVISION DESCRIPTION
					PAGE: 2 OF 3
KIRBY 27783					REV. A



- | | |
|---------------------|----------------------|
| NO | DESCRIPTION |
| 10H | SUPPLY VALVE |
| 11H | RETURN |
| 12H | PRESSURE REGULATOR |
| 13H | BY-PASS |
| 16H | ISOLATION VALVE |
| 17H | BASKET STRAINER |
| 18H | CHECK VALVE |
| 19H | DRIP PAN DRAIN VALVE |
| — ABOVE DECK PIPING | |

NOTE 1: 6 BARREL DRIP PAN

TRINITY MARINE

						KIRBY INLAND MARINE 	
A	10/04/12	DCB	DDA	ISSUED FOR APPROVAL		SCALE: NONE	KIRBY 27783
REV.	DATE	BY	CHK	APP	REVISION DESCRIPTION	PAGE: 3 of 3	

REV. **A**