

NO	SIZE	DESCRIPTION	NO	SIZE	DESCRIPTION
1C	8"	CARGO TANK VALVE	19C	8"	CARGO HEADER
2C	8"	LOAD VALVE	22C	19"	BUTTERWORTH
3C	10"	MASTER SUCTION VALVE	25C	10"x8"	ECCENTRIC REDUCER
4C	8"	DISCHARGE VALVE	27C	4"	DRIP PAN DRAIN VALVE
5C	8"	HEADER VALVE	28C	6"	HIGH LOAD VALVE
6C	8"	SALVAGE VALVE	11V		GAUGE STICK (LENGTH)
8C	6"	RELIEF VALVE	18V		RESTRICTIVE GAUGE TUBE
9Ca	8"	CHECK VALVE	30V		THERMAL WELL WITH PIPE CAP
9Cb	1"	CHECK VALVE	38Ca		DEEPWELL DRAIN VALVE
15C	2"	BYPASS VALVE (AROUND CHECK VALVE)	38Cb	1"	GATE VALVE
16C		DISCHARGE PRESSURE GAUGE	38Cd	1"	SPRING VALVE

NOTE 2: 6 BARREL DRIP PAN					
NOTE 3: PICKLING LINE					
ABOVE DECK PIPING ———					
BELOW DECK PIPING - - -					

A 05/18/11 JN DDA ISSUED FOR APPROVAL						SCALE: NONE	
REV.	DATE	BY	CHK	APP	REVISION DESCRIPTION	PAGE: 1 OF 3	

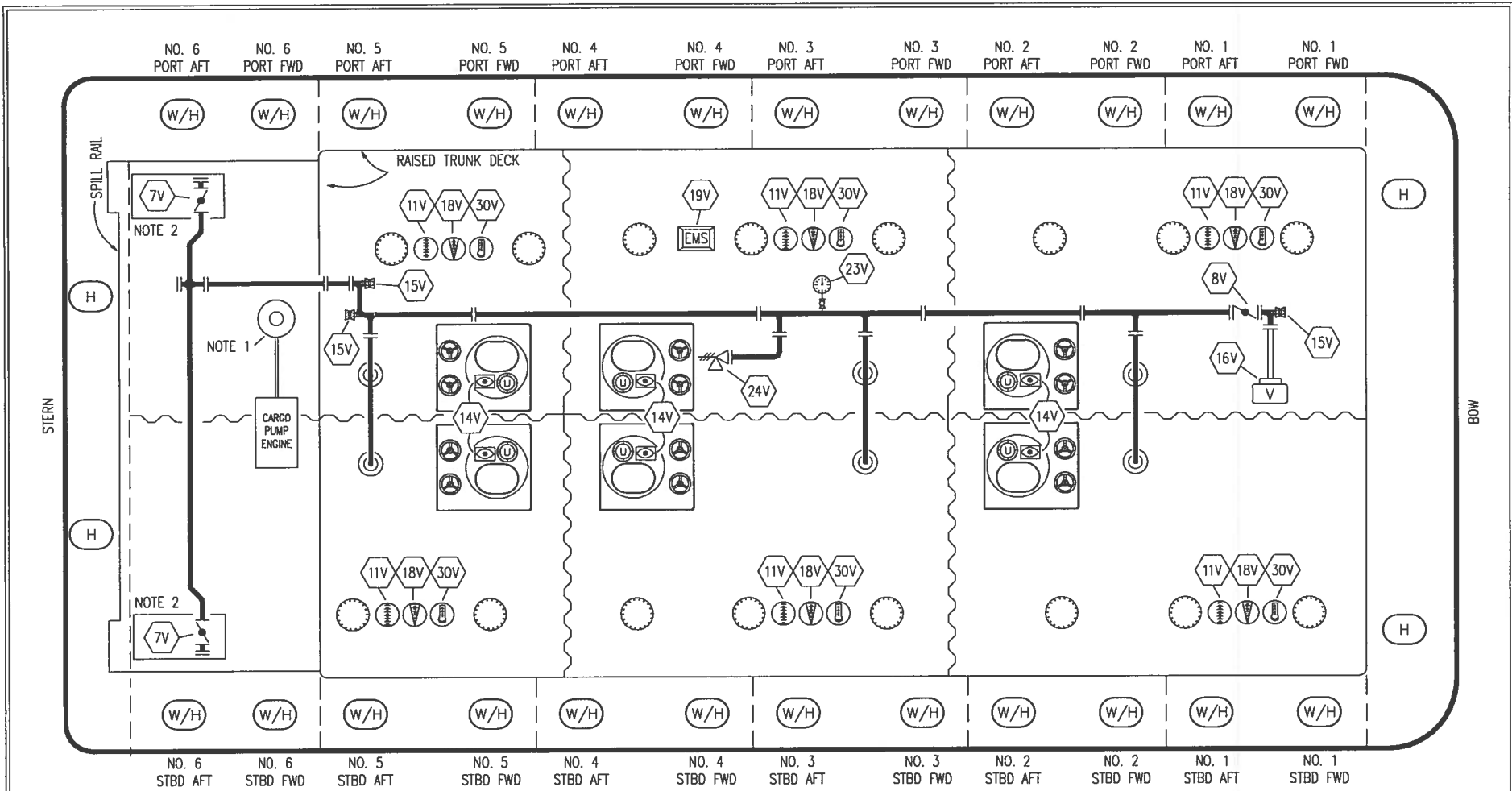
KIRBY INLAND MARINE

**CARGO
PIPING FLOW DIAGRAM**

KIRBY 27772

REV. **A**

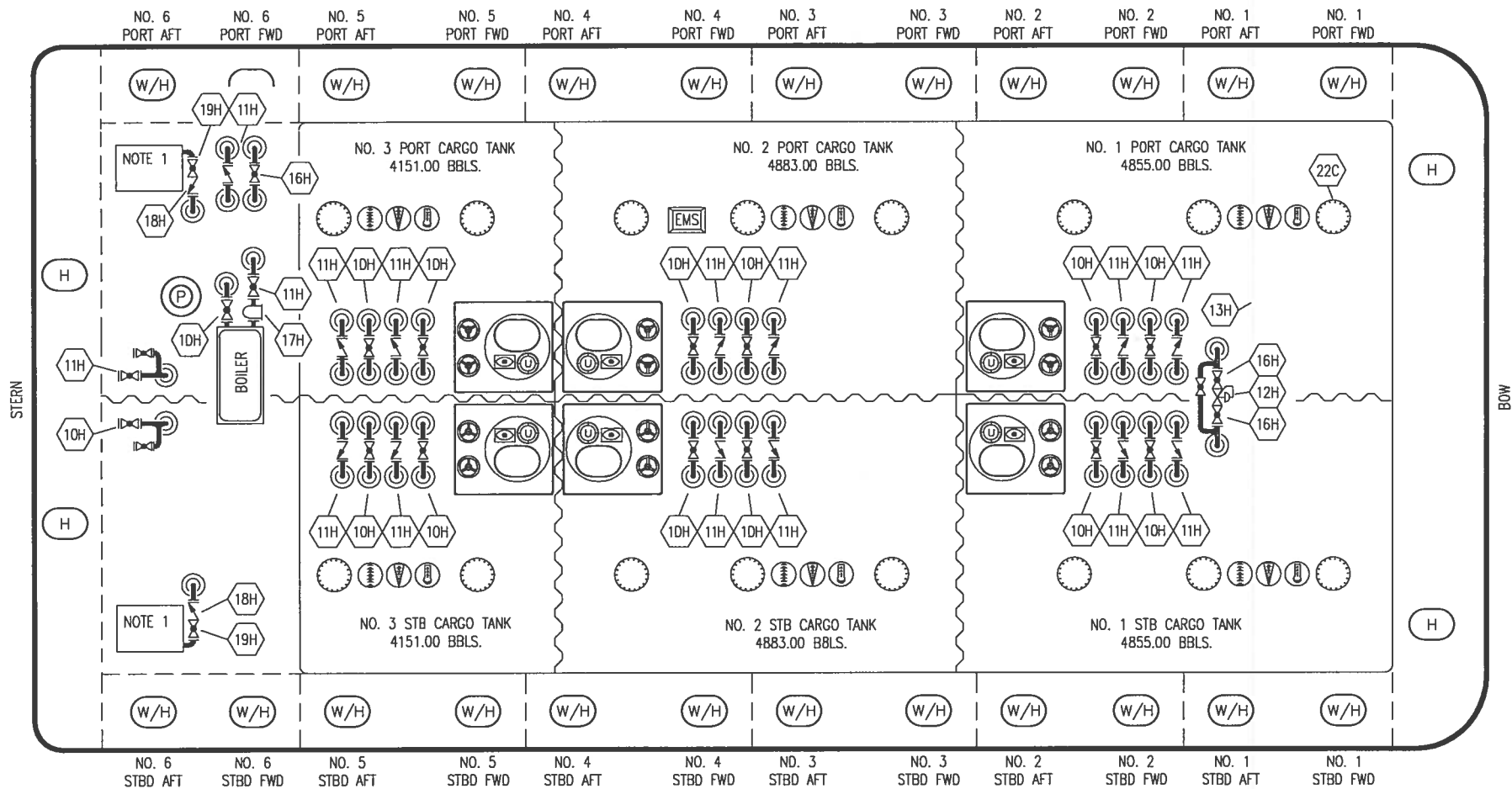
TRINITY MARINE



- | NO | SIZE | DESCRIPTION | NO | SIZE | DESCRIPTION |
|-----|------|---------------------------|-----|------|----------------------------|
| 7V | 8" | HEADER VALVE | 24V | 6" | PRESSURE RELIEF VALVE |
| 8V | 8" | VENT STACK VALVE | 30V | 2" | THERMAL WELL WITH PIPE CAP |
| 11V | | GAUGE STICK (LENGTH) | | | |
| 14V | | SIGHT GLASS | | | |
| 15V | | INSPECTION PORT | | | |
| 16V | 8" | VAPOR VENT STACK | | | |
| 18V | | RESTRICTIVE GAUGE TUBE | | | |
| 19V | | EMERGENCY SHUTDOWN SYSTEM | | | |
| 23V | | PRESSURE GAUGE | | | |

NOTE 1: DEEPWELL PUMP
 NOTE 2: 6 BARREL DRIP PAN
 ABOVE DECK PIPING ———

					KIRBY INLAND MARINE	
					VAPOR	
					PIPING FLOW DIAGRAM	
A	05/18/11	JN	DDA		ISSUED FOR APPROVAL	SCALE: NONE
REV.	DATE	BY	CHK	APP	REVISION DESCRIPTION	PAGE: 2 OF 3
KIRBY 27772						REV. A



- | NO | DESCRIPTION |
|----------------------------|----------------------|
| 10H | SUPPLY VALVE |
| 11H | RETURN |
| 12H | PRESSURE REGULATOR |
| 13H | BY-PASS |
| 16H | ISOLATION VALVE |
| 17H | BASKET STRAINER |
| 18H | CHECK VALVE |
| 19H | DRIP PAN DRAIN VALVE |
| — ABOVE DECK PIPING | |

NOTE 1: 6 BARREL DRIP PAN

TRINITY MARINE

						KIRBY INLAND MARINE	
						HOT OIL PIPING FLOW DIAGRAM	
						KIRBY 27772	
A	05/18/11	JN	DDA	ISSUED FOR APPROVAL		SCALE:	NONE
REV.	DATE	BY	CHK	APP	REVISION DESCRIPTION	PAGE:	3 of 3
							REV. A