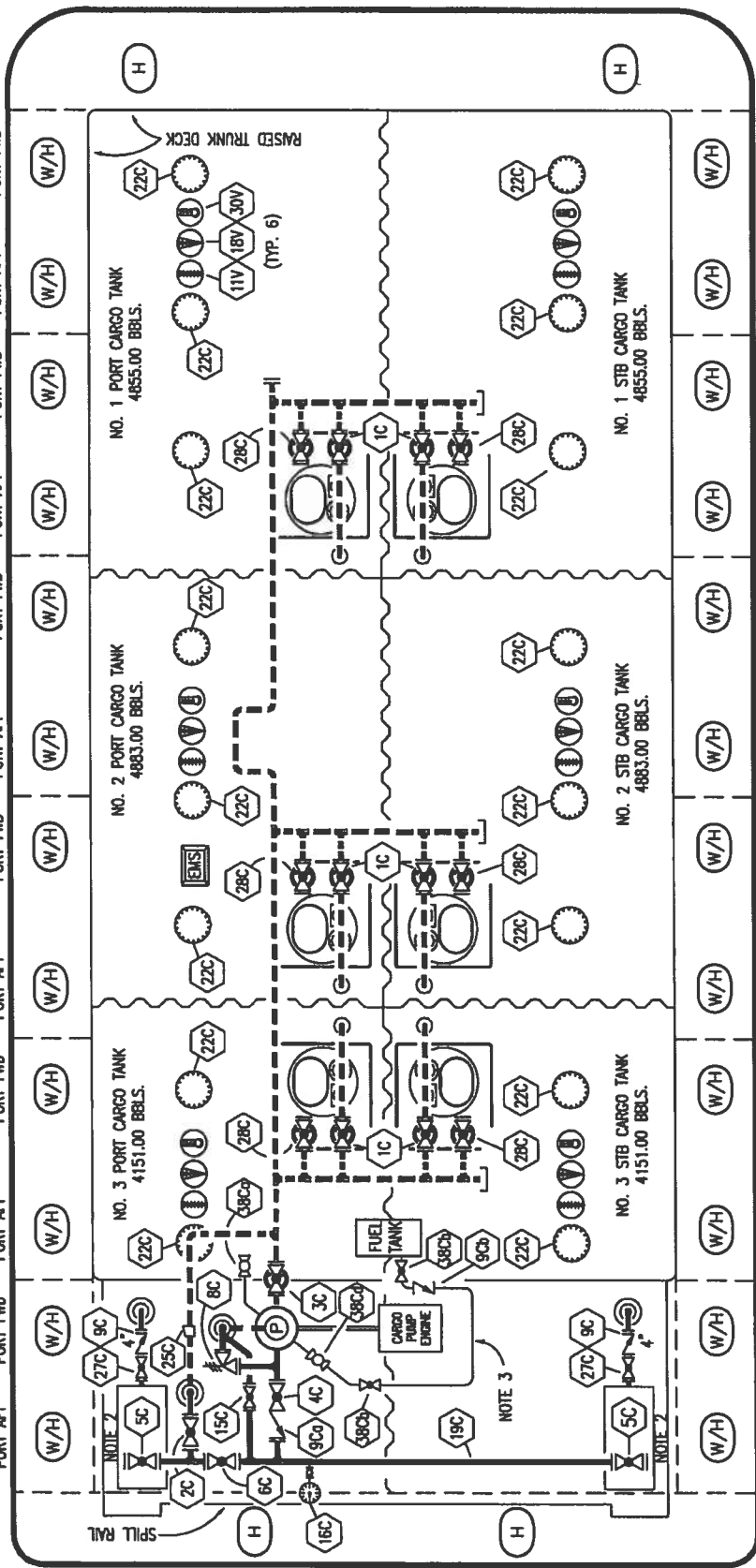


MOB



STERN

TRINITY MARINE



KIRBY INLAND MARINE

CARGO
PIPING FLOW DIAGRAM

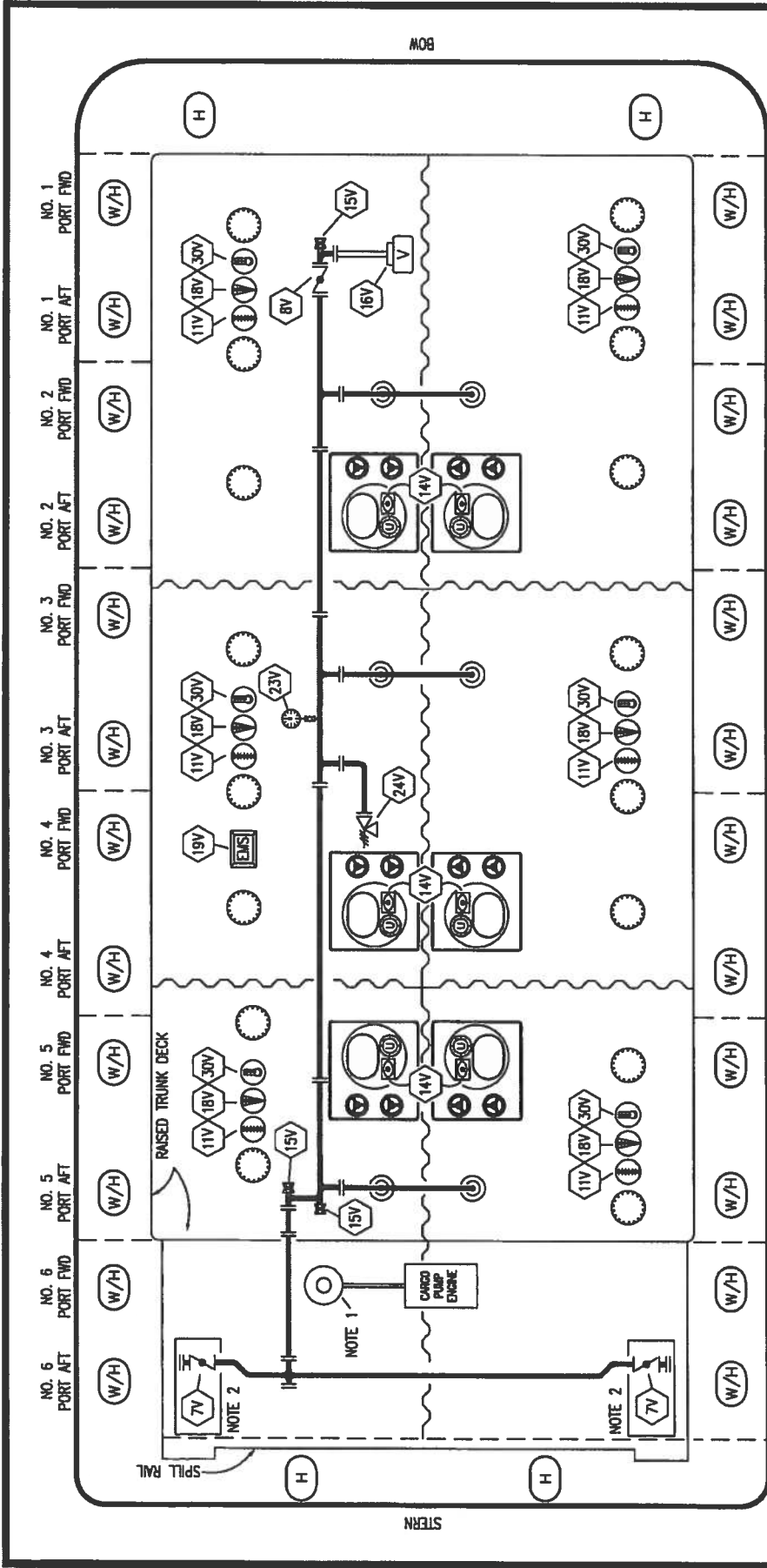
REV. **A**

- NOTE 2: 6 BARREL DRIP PAN
- NOTE 3: PICKLING LINE
- ABOVE DECK PIPING ———
- BELOW DECK PIPING - - -

NO.	DESCRIPTION	SIZE	NO.	DESCRIPTION	SIZE
1C	CARGO TANK VALVE	8"	19C	CARGO HEADER	8"
2C	LOAD VALVE	8"	22C	BUTTERWORTH	19"
3C	MASTER SUCTION VALVE	10"	25C	ECCENTRIC REDUCER	10" x 8"
4C	DISCHARGE VALVE	8"	27C	DRIP PAN DRAIN VALVE	4"
5C	HEADER VALVE	8"	28C	HIGH LOAD VALVE	6"
6C	SALVAGE VALVE	8"	11V	GAUGE STICK (LENGTH)	
8C	RELIEF VALVE	6"	18V	RESTRICTIVE GAUGE TUBE	
9Ca	CHECK VALVE	8"	30V	THERMAL WELL WITH PIPE CAP	
9Cb	CHECK VALVE	1"	38Ca	DEEPWELL DRAIN VALVE	
15C	BYPASS VALVE (AROUND CHECK VALVE)	2"	38Cb	GATE VALVE	1"
16C	DISCHARGE PRESSURE GAUGE	1"	38Cc	SPRING VALVE	1"

SCALE: NONE
PAGE: 1 OF 3

REV.	DATE	BY	CHK/APP	ISSUED FOR APPROVAL	REVISION DESCRIPTION
A	05/18/11	JN	DDA		



NO.	DESCRIPTION	NO.	SIZE	DESCRIPTION
7V	8" HEADER VALVE	24V	6" PRESSURE RELIEF VALVE	
8V	8" VENT STACK VALVE	30V	THERMAL WELL WITH PIPE CAP	
11V	GAUGE STICK (LENGTH)			
14V	SIGHT GLASS			
15V	INSPECTION PORT			
16V	VAPOR VENT STACK			
18V	RESTRICTIVE GAUGE TUBE			
19V	EMERGENCY SHUTDOWN SYSTEM			
23V	PRESSURE GAUGE			

NO. 6	NO. 6	NO. 5	NO. 4	NO. 3	NO. 2	NO. 1
PORT AFT	STBD FWD	PORT AFT	STBD FWD	PORT AFT	STBD FWD	PORT AFT
NO. 6	NO. 6	NO. 5	NO. 4	NO. 3	NO. 2	NO. 1
PORT FWD	STBD FWD	PORT FWD	STBD FWD	PORT FWD	STBD FWD	PORT FWD

NO. 6	NO. 5	NO. 4	NO. 3	NO. 2	NO. 1
PORT AFT	STBD FWD	PORT AFT	STBD FWD	PORT AFT	STBD FWD
NO. 6	NO. 5	NO. 4	NO. 3	NO. 2	NO. 1
PORT FWD	STBD FWD	PORT FWD	STBD FWD	PORT FWD	STBD FWD

NOTE 1: DEEPWELL PUMP
 NOTE 2: 6 BARREL DRIP PAN
 ABOVE DECK PIPING

KIRBY INLAND MARINE

VAPOR PIPING FLOW DIAGRAM

KIRBY 27766

SCALE: NONE
 PAGE: 2 OF 3

REV.	DATE	BY	CHK	APP	ISSUED FOR APPROVAL	REVISION DESCRIPTION
A	05/18/11	JN	DDA			

NO. 7V 8" HEADER VALVE

NO. 8V 8" VENT STACK VALVE

NO. 11V GAUGE STICK (LENGTH)

NO. 14V SIGHT GLASS

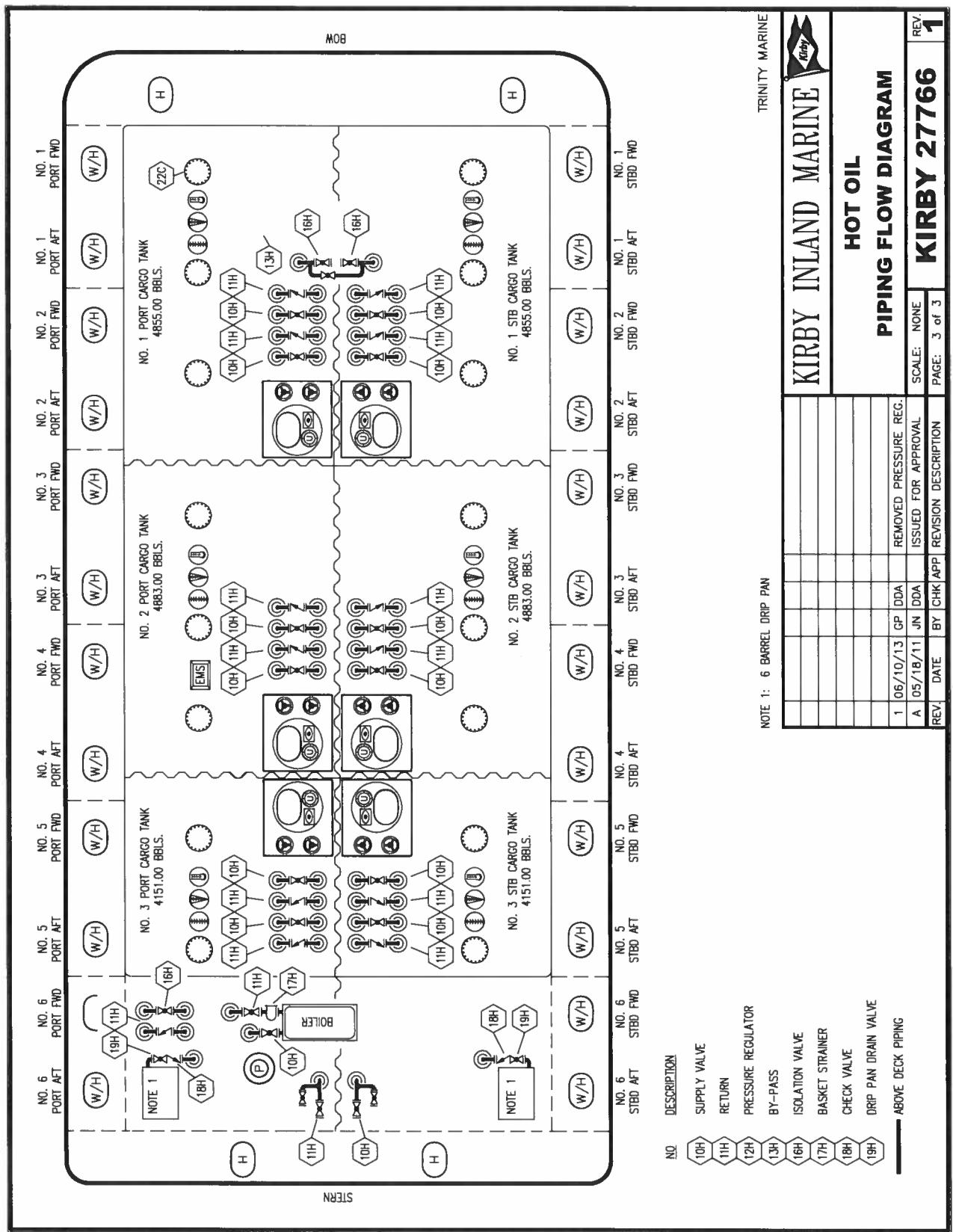
NO. 15V INSPECTION PORT

NO. 16V VAPOR VENT STACK

NO. 18V RESTRICTIVE GAUGE TUBE

NO. 19V EMERGENCY SHUTDOWN SYSTEM

NO. 23V PRESSURE GAUGE



TRINITY MARINE



KIRBY INLAND MARINE

HOT OIL

PIPING FLOW DIAGRAM

REV. **1**

SCALE: NONE
PAGE: 3 of 3
KIRBY 27766

NOTE 1: 6 BARREL DRIP PAN

REV	DATE	BY	CHK APP	REVISION DESCRIPTION
1	06/10/13	GP	DDA	REMOVED PRESSURE REG.
A	05/18/11	JN	DDA	ISSUED FOR APPROVAL

- NO** DESCRIPTION
- 10H SUPPLY VALVE
 - 11H RETURN
 - 12H PRESSURE REGULATOR
 - 13H BY-PASS
 - 16H ISOLATION VALVE
 - 17H BASKET STRAINER
 - 18H CHECK VALVE
 - 19H DRIP PAN DRAIN VALVE
- ABOVE DECK PIPING