

NO.	SIZE	DESCRIPTION	NO.	SIZE	DESCRIPTION
1C	8"	CARGO TANK VALVE	19C	8"	CARGO HEADER
2C	8"	LOAD VALVE	22C	19"	BUTTERWORTH
3C	10"	MASTER SUCTION VALVE	25C	10"x8"	ECCENTRIC REDUCER
4C	8"	DISCHARGE VALVE	27C	4"	DRIP PAN DRAIN VALVE
5C	8"	HEADER VALVE	28C	6"	HIGH LOAD VALVE
6C	8"	SALVAGE VALVE	11V		GAUGE STICK (LENGTH)
8C	6"	RELIEF VALVE	18V		RESTRICTIVE GAUGE TUBE
9C		CHECK VALVE	30V		THERMAL WELL WITH PIPE CAP
15C	2"	BYPASS VALVE (AROUND CHECK VALVE)			
16C		DISCHARGE PRESSURE GAUGE			

NOTE 1: DEEPWELL PUMP
 NOTE 2: 6 BARREL DRIP PAN
 ABOVE DECK PIPING ———
 BELOW DECK PIPING - - - -

REV.	DATE	BY	CHK APP	REVISION DESCRIPTION
0	02-02-09	WK	RB AB	APPROVED
B	12-16-08	WK	RB JF	REVISED LEGEND/TAGS
A	12-11-08	WK	RB AB	ISSUED FOR REVIEW

KIRBY INLAND MARINE

CARGO

PIPING FLOW DIAGRAM

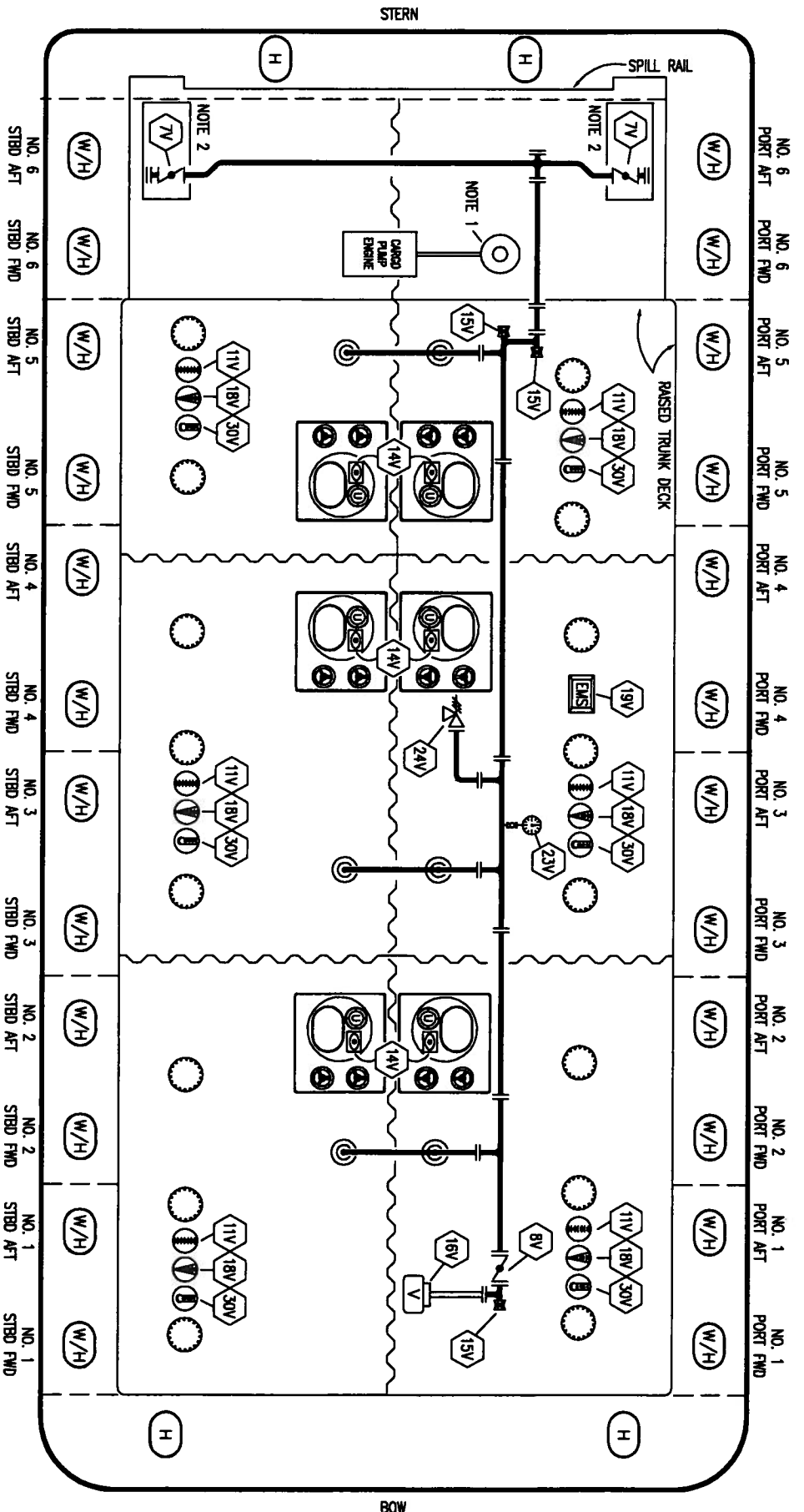
KIRBY 27764

SCALE: NONE
 PAGE: 1 OF 3

REV. 0



TRINITY MARINE



- | | | |
|---------|----|---------------------------|
| NO. 7V | 8" | HEADER VALVE |
| NO. 8V | 8" | VENT STACK VALVE |
| NO. 11V | | GAUGE STICK (LENGTH) |
| NO. 14V | | SIGHT GLASS |
| NO. 15V | | INSPECTION PORT |
| NO. 16V | 8" | VAPOR VENT STACK |
| NO. 18V | | RESTRICTIVE GAUGE TUBE |
| NO. 19V | | EMERGENCY SHUTDOWN SYSTEM |
| NO. 23V | | PRESSURE GAUGE |

- | | | |
|---------|----|----------------------------|
| NO. 24V | 6" | PRESSURE RELIEF VALVE |
| NO. 30V | 2" | THERMAL WELL WITH PIPE CAP |
- NOTE 1: DEEPWELL PUMP
 NOTE 2: 6 BARREL DRIP PAN
 ABOVE DECK PIPING ———

REV.	DATE	BY	CHK	APP	REVISION DESCRIPTION
0	02-02-09	WK	RB	AB	APPROVED
A	12-11-08	LT	RB	AB	ISSUED FOR REVIEW

KIRBY INLAND MARINE

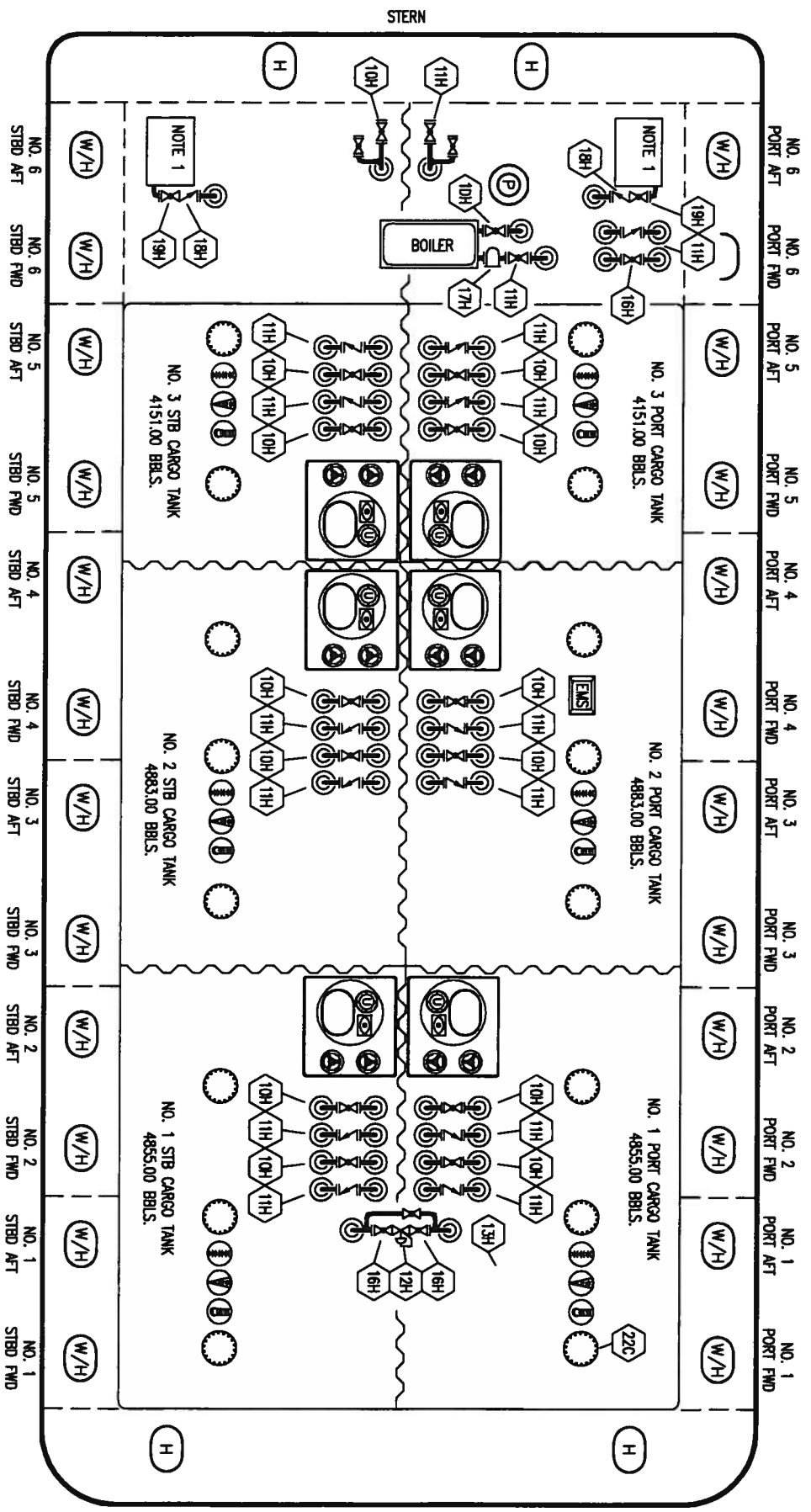
VAPOR

PIPING FLOW DIAGRAM

SCALE: NONE
 PAGE: 2 OF 3

KIRBY 27764

REV. 0




- NO. 104 SUPPLY VALVE
 NO. 114 RETURN
 NO. 124 PRESSURE REGULATOR
 NO. 134 BY-PASS
 NO. 164 ISOLATION VALVE
 NO. 174 BASKET STRAINER
 NO. 184 CHECK VALVE
 NO. 194 DRIP PAN DRAIN VALVE
- ABOVE DECK PIPING

NOTE 1: 6 BARREL DRIP PAN

REV.	DATE	BY	CHK	APP	REVISION DESCRIPTION
0	02-02-09	RB	AB	AB	APPROVED

KIRBY INLAND MARINE



HOT OIL

PIPING FLOW DIAGRAM

KIRBY 27764

SCALE: NONE
 PAGE: 3 of 3
 REV. 0

TRINITY MARINE