

NO	DESCRIPTION	SIZE	NO	DESCRIPTION	SIZE
1C	CARGO TANK VALVE	8"	19C	CARGO HEADER	8"
2C	LOAD VALVE	8"	22C	BUTTERWORTH	19"
3C	MASTER SUCTION VALVE	10"	25C	ECCENTRIC REDUCER	10"x8"
4C	DISCHARGE VALVE	8"	27C	DRIP PAN DRAIN VALVE	4"
5C	HEADER VALVE	8"	28C	HIGH LOAD VALVE	6"
6C	SALVAGE VALVE	8"	11V	GAUGE STICK (LENGTH)	
8C	RELIEF VALVE	6"	18V	RESTRICTIVE GAUGE TUBE	
9C <sub>a</sub>	CHECK VALVE	8"	30V	THERMAL WELL WITH PIPE CAP	
9C <sub>b</sub>	CHECK VALVE	1"	39C <sub>a</sub>	DEEPWELL DRAIN VALVE	
15C	BYPASS VALVE (AROUND CHECK VALVE)	2"	38C <sub>b</sub>	GATE VALVE	1"
16C	DISCHARGE PRESSURE GAUGE	1"	38C <sub>c</sub>	SPRING VALVE	1"

NOTE 2: 6 BARREL DRIP PAN  
 NOTE 3: PICKLING LINE  
 ABOVE DECK PIPING ———  
 BELOW DECK PIPING - - -

TRINITY MARINE

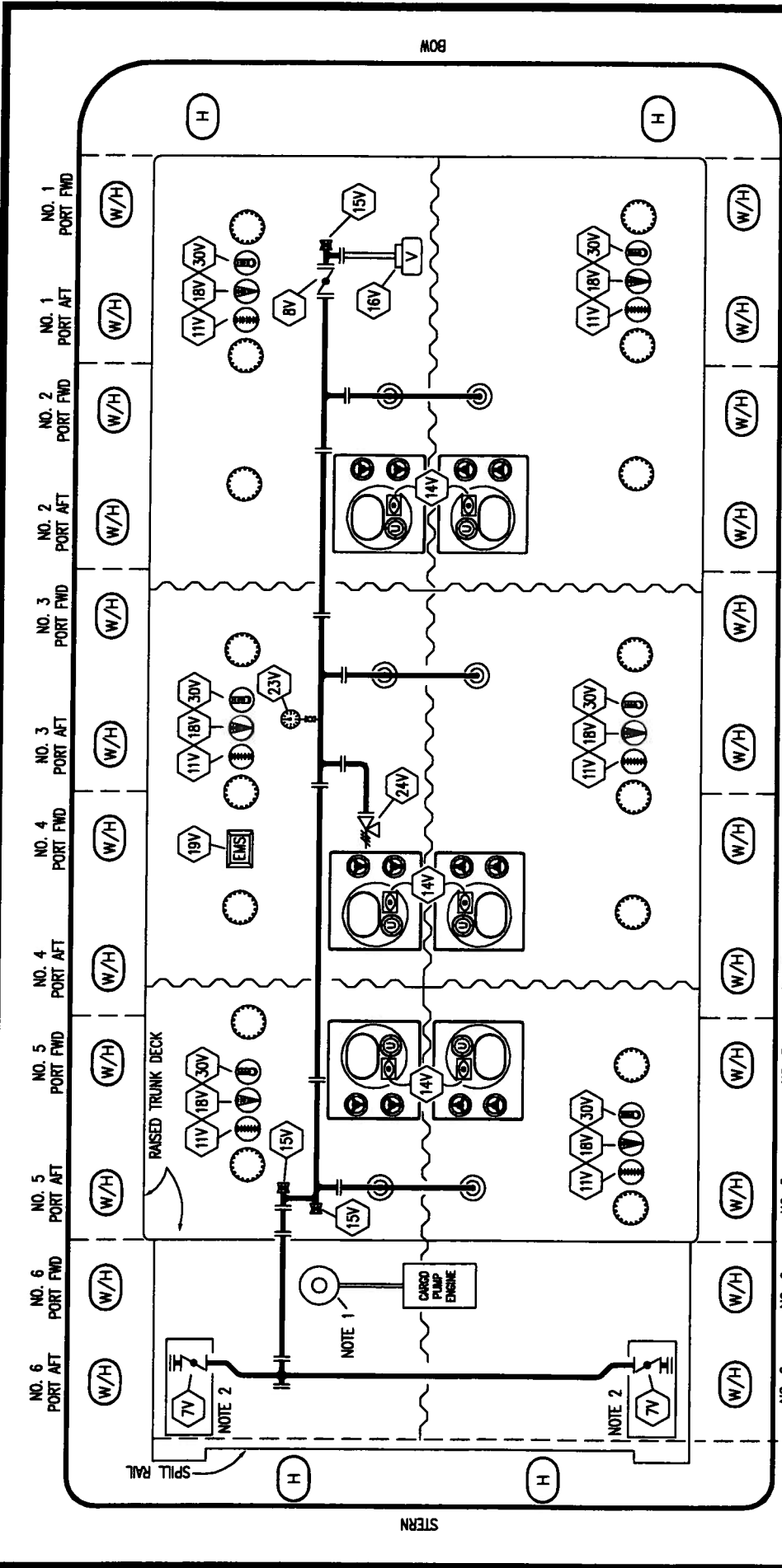
**KIRBY INLAND MARINE**

**CARGO**

**PIPING FLOW DIAGRAM**

SCALE: NONE  
 PAGE: 1 OF 3

REV.	DATE	BY	CHK/APP	REVISION DESCRIPTION
1				



NO.	SIZE	DESCRIPTION	NO.	SIZE	DESCRIPTION
7V	8"	HEADER VALVE	24V	6"	PRESSURE RELIEF VALVE
8V	8"	VENT STACK VALVE	30V	2"	THERMAL WELL WITH PIPE CAP
11V		GAUGE STICK (LENGTH)			
14V		SIGHT GLASS			
15V		INSPECTION PORT			
16V	8"	VAPOR VENT STACK			
18V		RESTRICTIVE GAUGE TUBE			
19V		EMERGENCY SHUTDOWN SYSTEM			
23V		PRESSURE GAUGE			

NO. 6	NO. 6	NO. 5	NO. 4	NO. 3	NO. 2	NO. 1
STBD AFT	STBD FWD	STBD AFT	STBD FWD	STBD AFT	STBD FWD	STBD AFT
NO. 6	NO. 6	NO. 5	NO. 4	NO. 3	NO. 2	NO. 1
PORT AFT	PORT FWD	PORT AFT	PORT FWD	PORT AFT	PORT FWD	PORT AFT

NO. 6	NO. 5	NO. 4	NO. 3	NO. 2	NO. 1
STBD AFT	STBD FWD	STBD AFT	STBD FWD	STBD AFT	STBD FWD
NO. 6	NO. 5	NO. 4	NO. 3	NO. 2	NO. 1
PORT AFT	PORT FWD	PORT AFT	PORT FWD	PORT AFT	PORT FWD

NOTE 1: DEEPWELL PUMP  
 NOTE 2: 6 BARREL DRIP PAN  
 ABOVE DECK PIPING

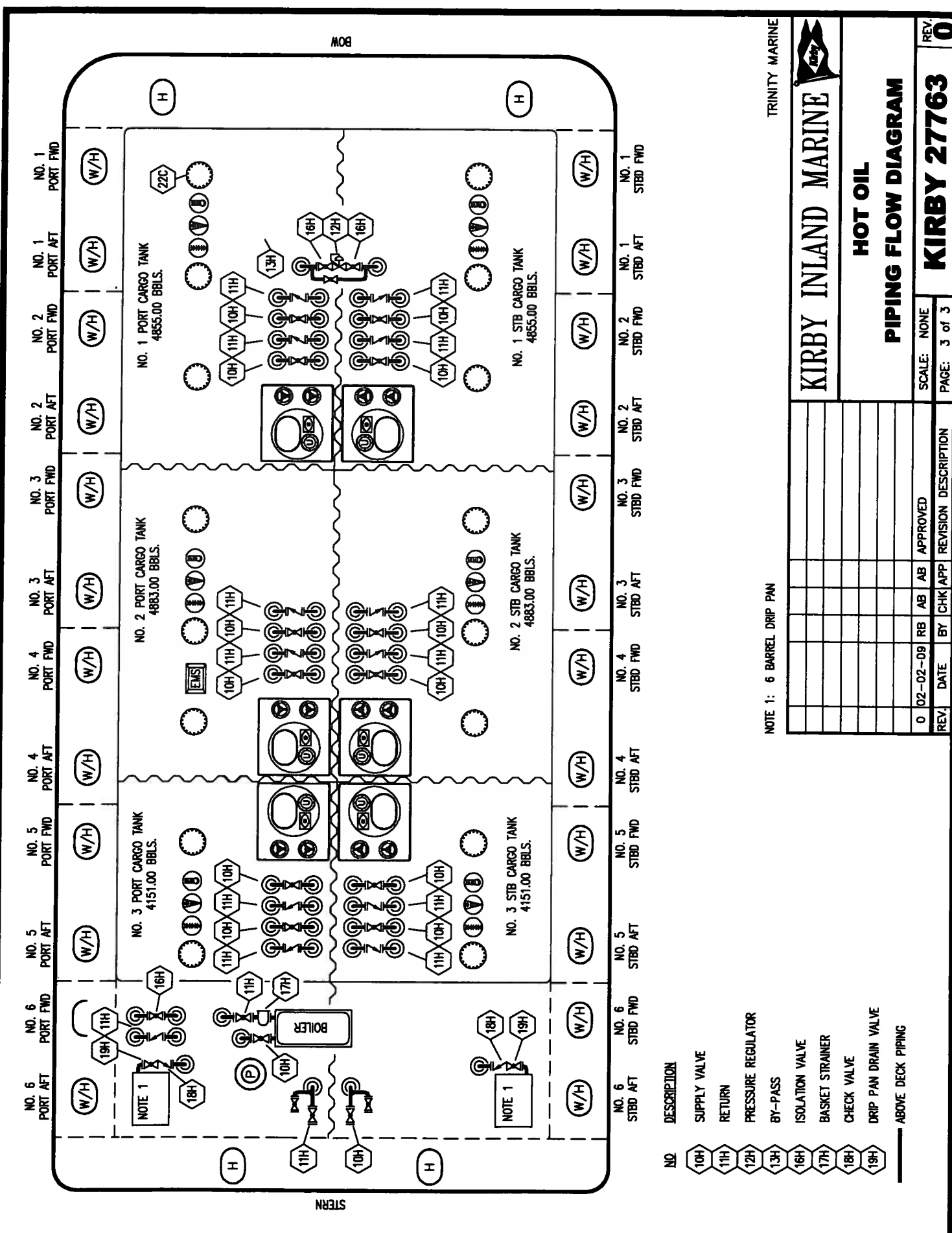
**KIRBY INLAND MARINE**

**VAPOR**

**PIPING FLOW DIAGRAM**

SCALE: NONE  
 PAGE: 2 OF 3

REV.	DATE	BY	CHK APP	REVISION DESCRIPTION
0	02-02-09	WK	RB AB	APPROVED
A	12-11-08	LT	RB AB	ISSUED FOR REVIEW



NOTE 1: 6 BARREL DRIP PAN

- NO. DESCRIPTION**
- 10H SUPPLY VALVE
  - 11H RETURN
  - 12H PRESSURE REGULATOR
  - 13H BY-PASS
  - 16H ISOLATION VALVE
  - 17H BASKET STRAINER
  - 18H CHECK VALVE
  - 19H DRIP PAN DRAIN VALVE
- ABOVE DECK PIPING

TRINITY MARINE



**KIRBY INLAND MARINE**

**HOT OIL**

**PIPING FLOW DIAGRAM**

REV.	DATE	BY	CHK APP	REVISION DESCRIPTION
0	02-02-09	RB	AB	APPROVED

SCALE: NONE  
PAGE: 3 of 3

**KIRBY 27763**

REV. **0**