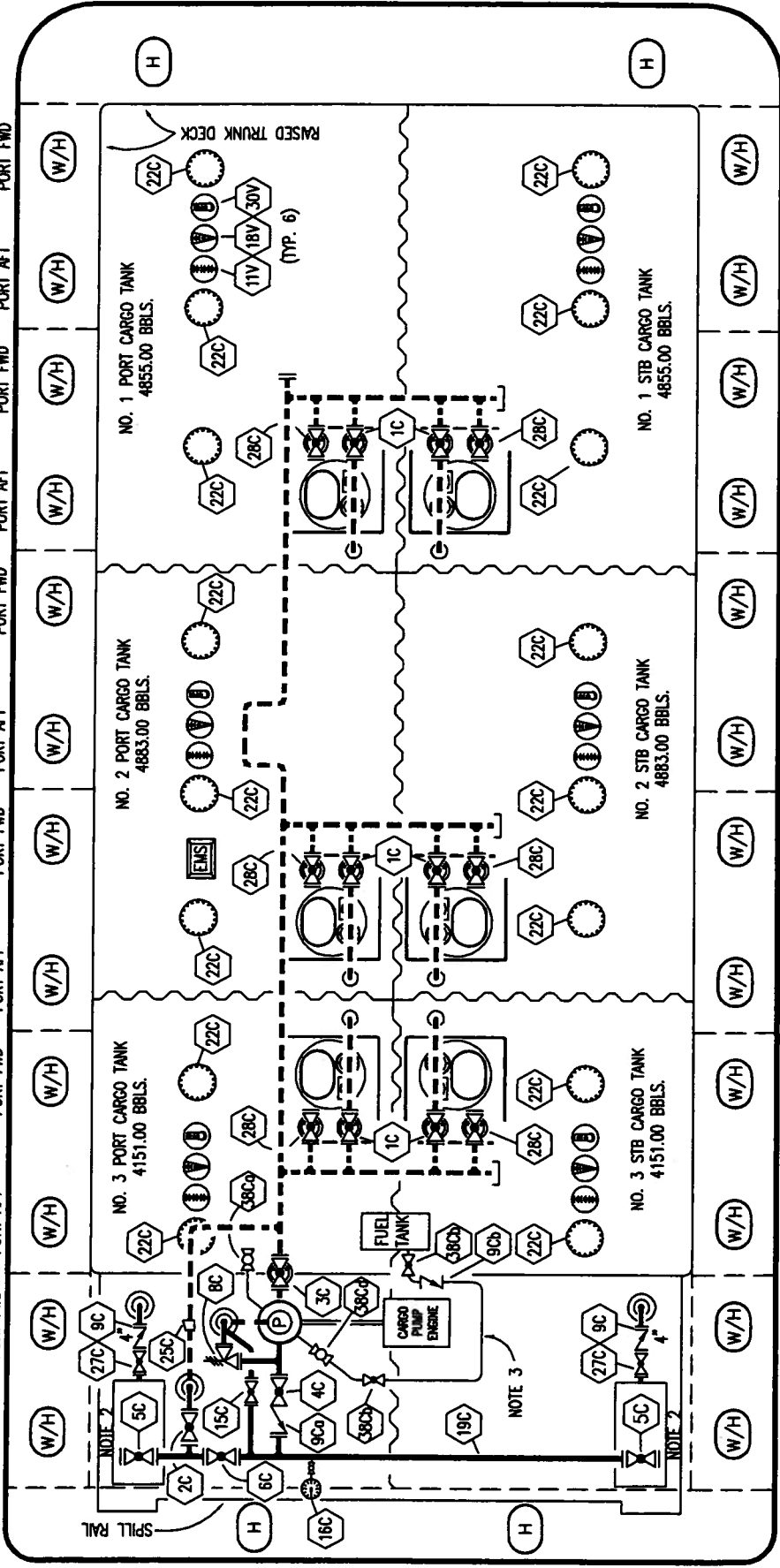


NO. 6 PORT AFT NO. 5 PORT AFT NO. 4 PORT AFT NO. 3 PORT AFT NO. 2 PORT AFT NO. 1 PORT AFT
 NO. 6 STBD FWD NO. 5 STBD FWD NO. 4 STBD FWD NO. 3 STBD FWD NO. 2 STBD FWD NO. 1 STBD FWD



NO.	DESCRIPTION	NO.	DESCRIPTION
1C	CARGO TANK VALVE	19C	CARGO HEADER
2C	LOAD VALVE	22C	BUTTERWORTH
3C	MASTER SUCTION VALVE	25C	ECCENTRIC REDUCER
4C	DISCHARGE VALVE	27C	DRIP PAN DRAIN VALVE
5C	HEADER VALVE	28C	HIGH LOAD VALVE
6C	SALVAGE VALVE	11V	GAUGE STICK (LENGTH)
8C	RELIEF VALVE	18V	RESTRICTIVE GAUGE TUBE
9C	CHECK VALVE	30V	THERMAL WELL WITH PIPE CAP
9Cb	CHECK VALVE	38C	DEEPMELL DRAIN VALVE
15C	BYPASS VALVE (AROUND CHECK VALVE)	39C	GATE VALVE
16C	DISCHARGE PRESSURE GAUGE	38Cp	SPRING VALVE

NOTE 2: 6 BARREL DRIP PAN
 NOTE 3: PICKLING LINE
 ABOVE DECK PIPING ———
 BELOW DECK PIPING - - - -

NO.	DESCRIPTION	NO.	DESCRIPTION
1	02-26-09 WK RB AB	ADD PICKLE LINE	
0	02-02-09 WK RB AB	APPROVED	
B	12-16-08 WK RB JF	REVISED LEGEND/TAGS	
A	12-11-08 WK RB AB	ISSUED FOR REVIEW	

TRINITY MARINE

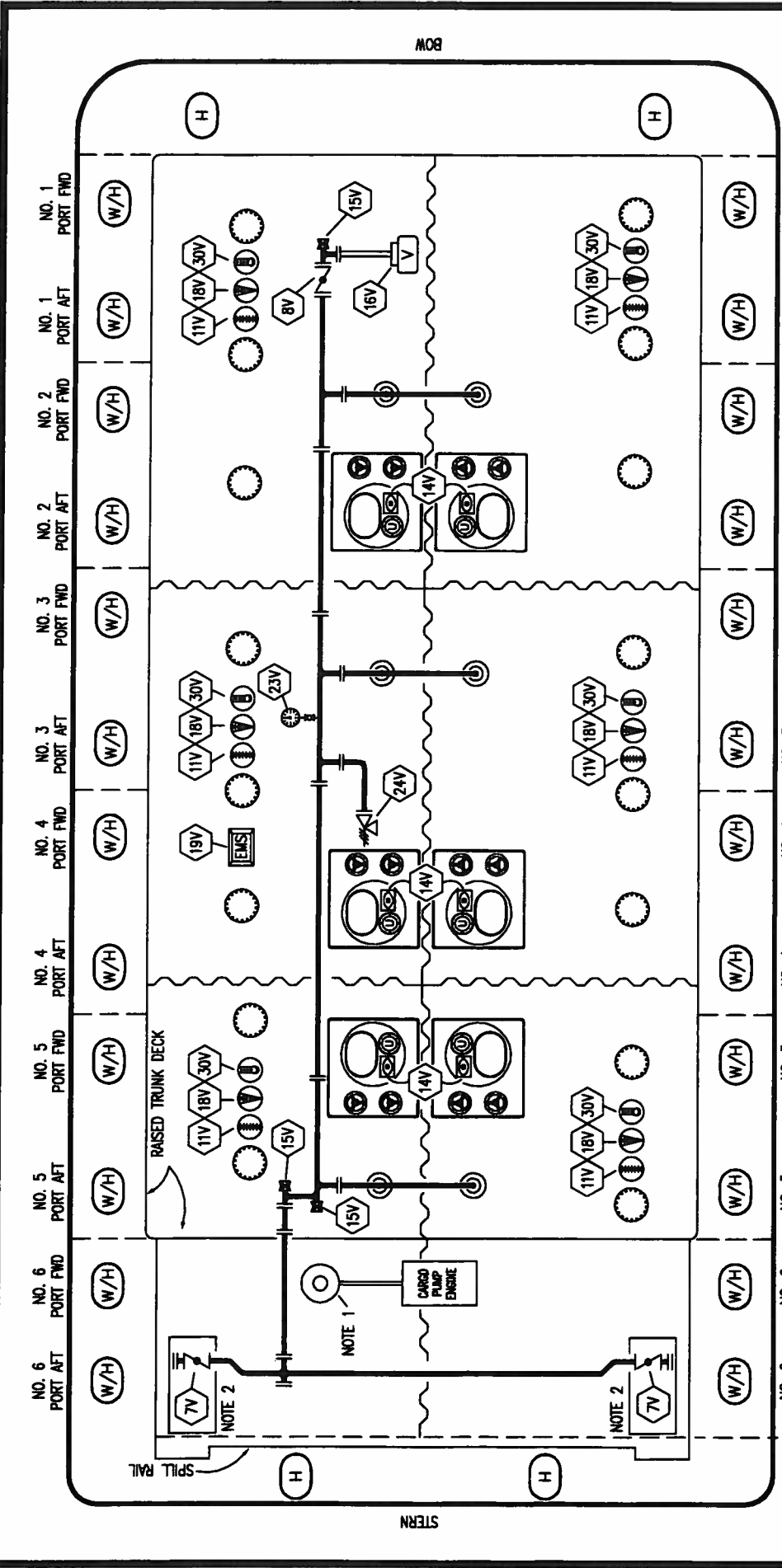
KIRBY INLAND MARINE

CARGO

PIPING FLOW DIAGRAM

KIRBY 27762

SCALE: NONE
 PAGE: 1 OF 3
 REV. 1



NO	SIZE	DESCRIPTION	NO	SIZE	DESCRIPTION
7V	8"	HEADER VALVE	24V	6"	PRESSURE RELIEF VALVE
8V	8"	VENT STACK VALVE	30V	2"	THERMAL WELL WITH PIPE CAP
11V		GAUGE STICK (LENGTH)			
14V		SIGHT GLASS			
15V		INSPECTION PORT			
16V	8"	VAPOR VENT STACK			
18V		RESTRICTIVE GAUGE TUBE			
19V		EMERGENCY SHUTDOWN SYSTEM			
23V		PRESSURE GAUGE			

NO. 6	NO. 5	NO. 4	NO. 3	NO. 2	NO. 1
PORT AFT	PORT AFT	PORT AFT	PORT AFT	PORT AFT	PORT AFT
NO. 6	NO. 5	NO. 4	NO. 3	NO. 2	NO. 1
STBD FWD	STBD FWD	STBD FWD	STBD FWD	STBD FWD	STBD FWD

NO. 6	NO. 5	NO. 4	NO. 3	NO. 2	NO. 1
PORT AFT	PORT AFT	PORT AFT	PORT AFT	PORT AFT	PORT AFT
NO. 6	NO. 5	NO. 4	NO. 3	NO. 2	NO. 1
STBD FWD	STBD FWD	STBD FWD	STBD FWD	STBD FWD	STBD FWD

NO. 02-02-09	WK	RB	AB	APPROVED
A 12-11-08	LT	RB	AB	ISSUED FOR REVIEW

SCALE:	NONE
PAGE:	2 OF 3

REV.	0
------	---

KIRBY INLAND MARINE

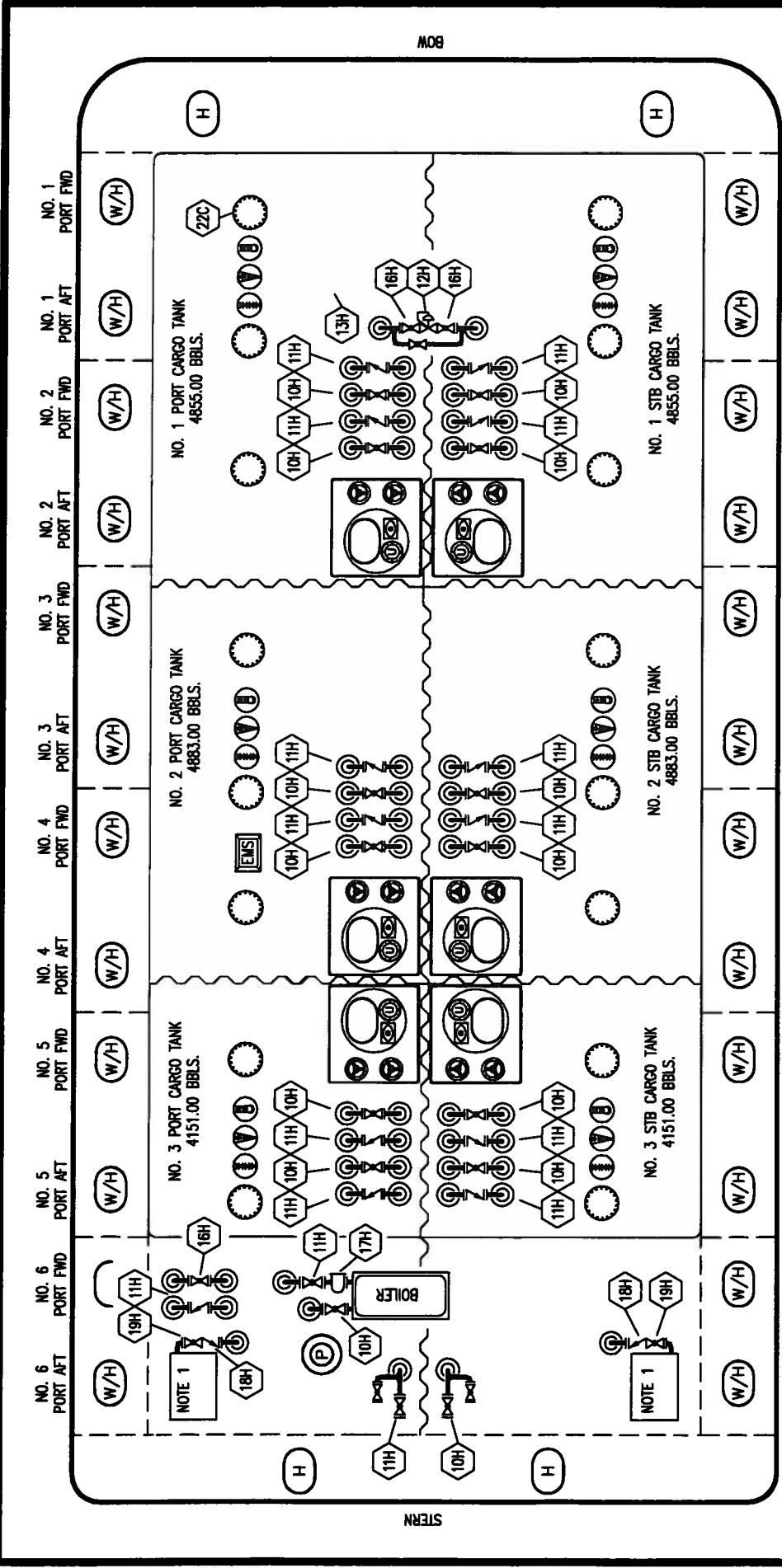
VAPOR

PIPING FLOW DIAGRAM

KIRBY 27762

NO. 02-02-09	WK	RB	AB	APPROVED
A 12-11-08	LT	RB	AB	ISSUED FOR REVIEW

NO.	DATE	BY	CHK/APP	REVISION DESCRIPTION



NO.	DESCRIPTION	NO. 6 STBD AFT	NO. 6 STBD FWD	NO. 5 STBD AFT	NO. 5 STBD FWD	NO. 4 STBD AFT	NO. 4 STBD FWD	NO. 3 STBD AFT	NO. 3 STBD FWD	NO. 2 STBD AFT	NO. 2 STBD FWD	NO. 1 STBD AFT	NO. 1 STBD FWD
10H	SUPPLY VALVE												
11H	RETURN												
12H	PRESSURE REGULATOR												
13H	BY-PASS												
16H	ISOLATION VALVE												
17H	BASKET STRAINER												
18H	CHECK VALVE												
19H	DRIP PAN DRAIN VALVE												

TRINITY MARINE

KIRBY INLAND MARINE

HOT OIL PIPING FLOW DIAGRAM

NOTE 1: 6 BARREL DRIP PAN

REV.	DATE	BY	CHK/APP	REVISION DESCRIPTION
0	02-02-09	RB	AB	APPROVED

SCALE: NONE
PAGE: 3 of 3

REV. **0**

KIRBY 27762