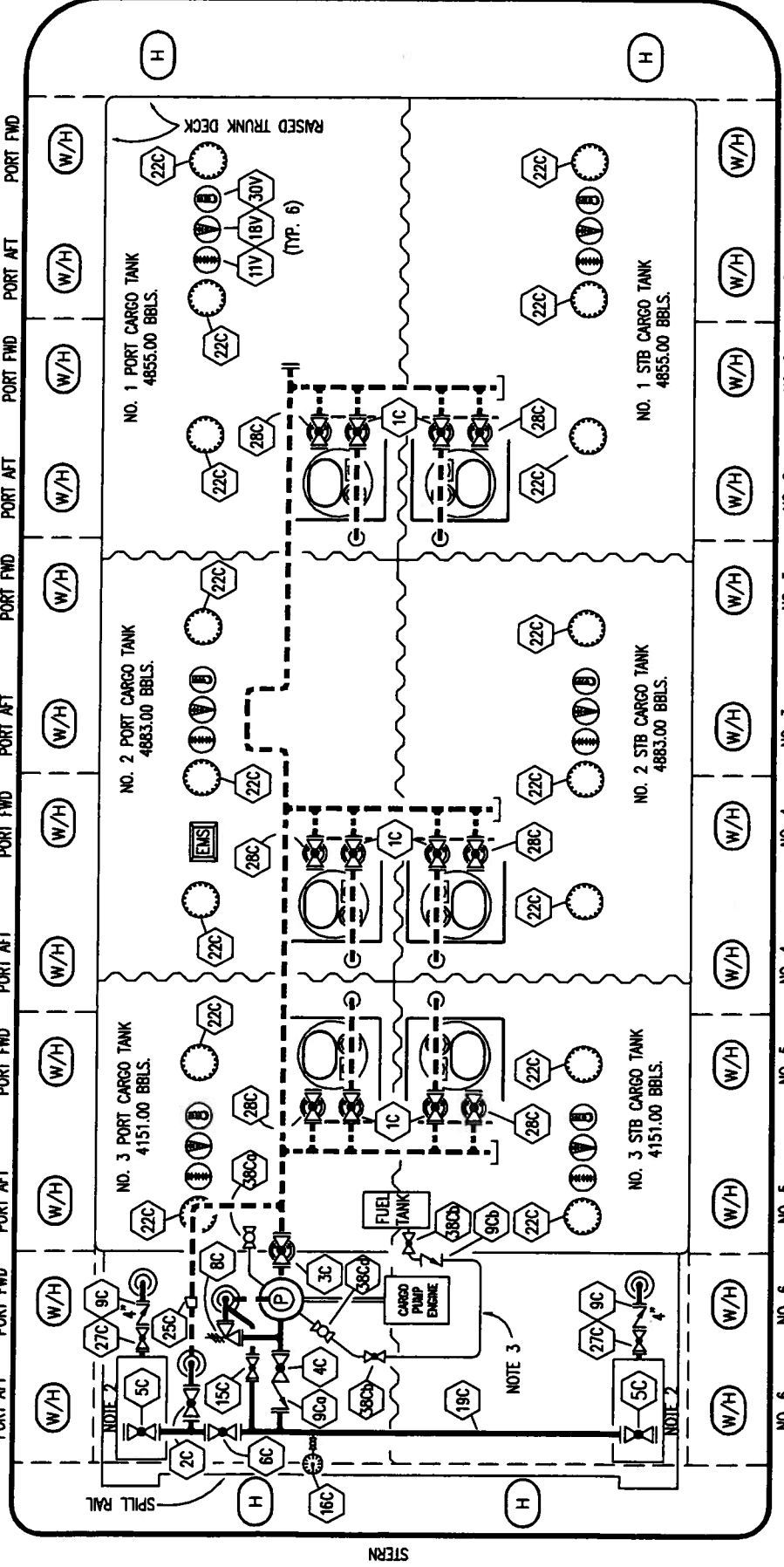


MOB




NO.	SIZE	DESCRIPTION	NO.	SIZE	DESCRIPTION
1C	8"	CARGO TANK VALVE	19C	8"	CARGO HEADER
2C	8"	LOAD VALVE	22C	19"	BUTTERWORTH
3C	10"	MASTER SUCTION VALVE	25C	10"x8"	ECCENTRIC REDUCER
4C	8"	DISCHARGE VALVE	27C	4"	DRIP PAN DRAIN VALVE
5C	8"	HEADER VALVE	28C	6"	HIGH LOAD VALVE
6C	8"	SALVAGE VALVE	11V		GAUGE STICK (LENGTH)
8C	6"	RELIEF VALVE	18V		RESTRICTIVE GAUGE TUBE
9C	8"	CHECK VALVE	30V		THERMAL WELL WITH PIPE CAP
15C	1"	CHECK VALVE	38C		DEEPWELL DRAIN VALVE
16C	2"	BYPASS VALVE (AROUND CHECK VALVE)	38C	1"	GATE VALVE
		DISCHARGE PRESSURE GAUGE	38C	1"	SPRING VALVE

NOTE 2: 6 BARREL DRIP PAN
 NOTE 3: PICKLING LINE
 ABOVE DECK PIPING ———
 BELOW DECK PIPING - - -

REV.	DATE	BY	CHK APP	REVISION DESCRIPTION
1	02/26/09	WK	RB	AB ADD PICKLE LINE
0	02-02-09	WK	RB	AB APPROVED
B	12-16-08	WK	RB	JF REVISED LEGEND/TAGS
A	12-11-08	WK	RB	AB ISSUED FOR REVIEW

TRINITY MARINE

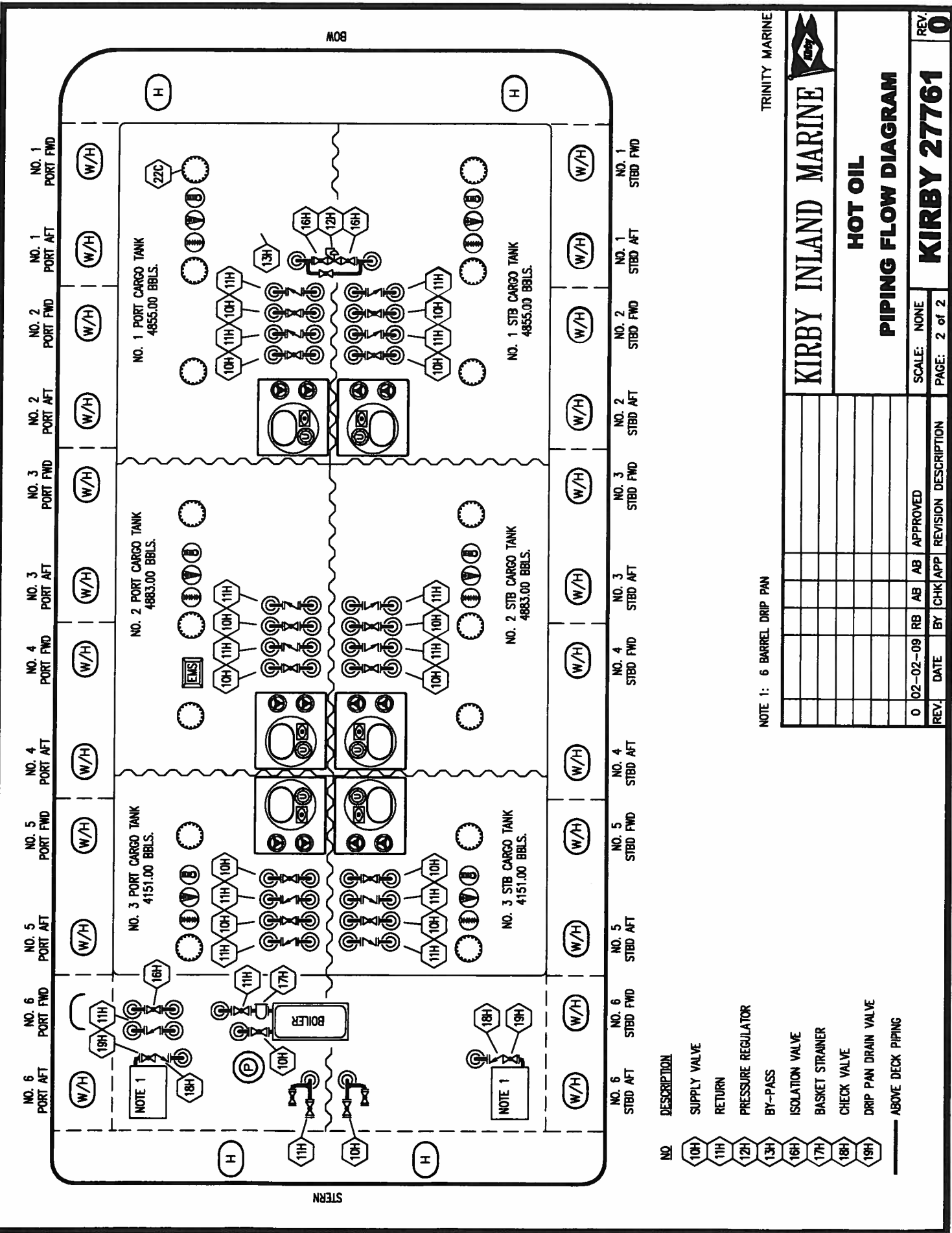


KIRBY INLAND MARINE

CARGO PIPING FLOW DIAGRAM

SCALE: NONE	PAGE: 1 OF 2
-------------	--------------

REV. 1



NOTE 1: 6 BARREL DRIP PAN

- NO. DESCRIPTION
- 10H SUPPLY VALVE
 - 11H RETURN
 - 12H PRESSURE REGULATOR
 - 13H BY-PASS
 - 16H ISOLATION VALVE
 - 17H BASKET STRAINER
 - 18H CHECK VALVE
 - 19H DRIP PAN DRAIN VALVE
- ABOVE DECK PIPING

TRINITY MARINE



KIRBY INLAND MARINE

**HOT OIL
PIPING FLOW DIAGRAM**

REV.	DATE	BY	CHK APP	RB	AB	APPROVED	REVISION DESCRIPTION
0	02-02-09						

SCALE: NONE
PAGE: 2 of 2

KIRBY 27761

REV. **0**