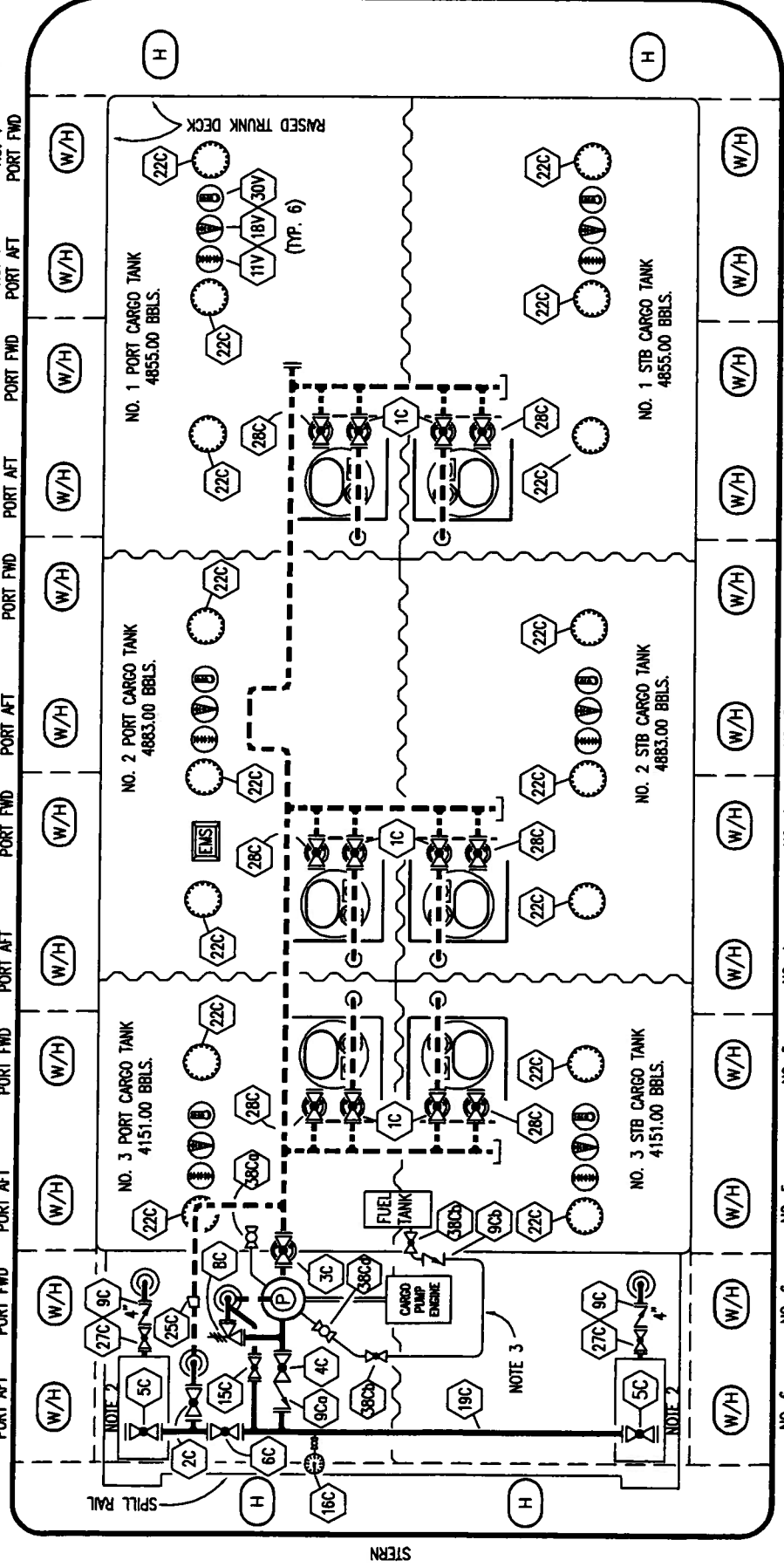


BOW



STERN

NO. 6 PORT AFT NO. 5 PORT AFT NO. 4 PORT AFT NO. 3 PORT AFT NO. 2 PORT AFT NO. 1 PORT AFT NO. 6 PORT FWD NO. 5 PORT FWD NO. 4 PORT FWD NO. 3 PORT FWD NO. 2 PORT FWD NO. 1 PORT FWD

NO. 6 STBD AFT NO. 5 STBD AFT NO. 4 STBD AFT NO. 3 STBD AFT NO. 2 STBD AFT NO. 1 STBD AFT NO. 6 STBD FWD NO. 5 STBD FWD NO. 4 STBD FWD NO. 3 STBD FWD NO. 2 STBD FWD NO. 1 STBD FWD

NO	SIZE	DESCRIPTION	NO	SIZE	DESCRIPTION
1C	8"	CARGO TANK VALVE	19C	8"	CARGO HEADER
2C	8"	LOAD VALVE	22C	19"	BUTTERWORTH
3C	10"	MASTER SUCTION VALVE	25C	10"x8"	ECCENTRIC REDUCER
4C	8"	DISCHARGE VALVE	27C	4"	DRIP PAN DRAIN VALVE
5C	8"	HEADER VALVE	28C	6"	HIGH LOAD VALVE
6C	8"	SALVAGE VALVE	11V		GAUGE STICK (LENGTH)
8C	6"	RELIEF VALVE	18V		RESTRICTIVE GAUGE TUBE
9C	8"	CHECK VALVE	30V		THERMAL WELL WITH PIPE CAP
9Cb	1"	CHECK VALVE	38C		DEEPWELL DRAIN VALVE
15C	2"	BYPASS VALVE (AROUND CHECK VALVE)	38Cb	1"	GATE VALVE
16C		DISCHARGE PRESSURE GAUGE	38Cd	1"	SPRING VALVE

NOTE 2: 6 BARREL DRIP PAN
 NOTE 3: PICKLING LINE
 ABOVE DECK PIPING ———
 BELOW DECK PIPING - - -

TRINITY MARINE

KIRBY INLAND MARINE

CARGO

PIPING FLOW DIAGRAM

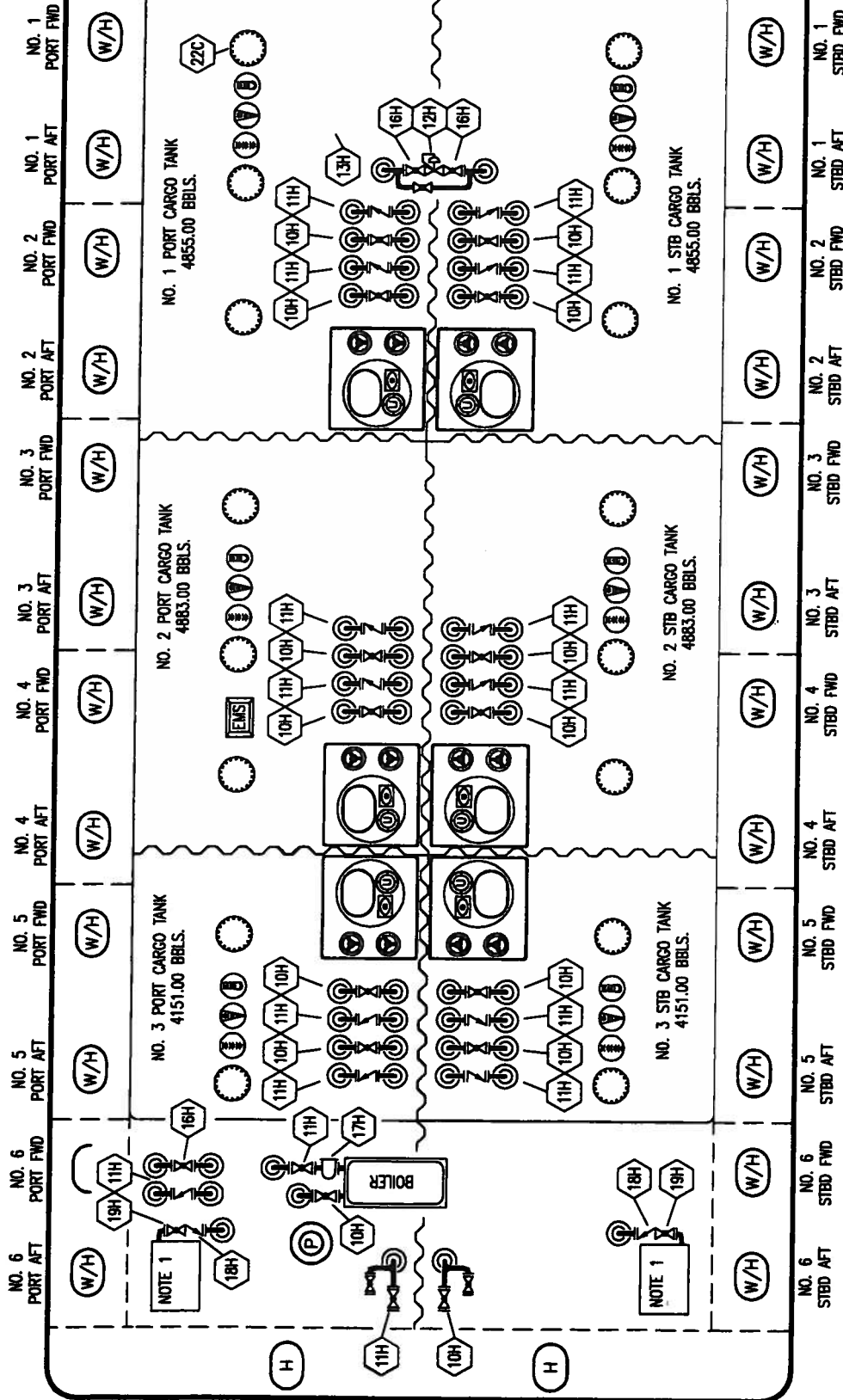
SCALE: NONE
 PAGE: 1 OF 2

REV.	DATE	BY	CHK APP	REVISION DESCRIPTION
1				

REV. 1

MOB

STERN



TRINITY MARINE



KIRBY INLAND MARINE

**HOT OIL
PIPING FLOW DIAGRAM**

NOTE 1: 6 BARREL DRIP PAN

- | | |
|-----|----------------------|
| NO. | DESCRIPTION |
| 10H | SUPPLY VALVE |
| 11H | RETURN |
| 12H | PRESSURE REGULATOR |
| 13H | BY-PASS |
| 16H | ISOLATION VALVE |
| 17H | BASKET STRAINER |
| 18H | CHECK VALVE |
| 19H | DRIP PAN DRAIN VALVE |
- ABOVE DECK PIPING

REV.	DATE	BY	CHK/APP	REVISION	DESCRIPTION
0	01-28-09	RB	AB	APPROVED	

SCALE: NONE
PAGE: 2 of 2

KIRBY 27760

REV. 0