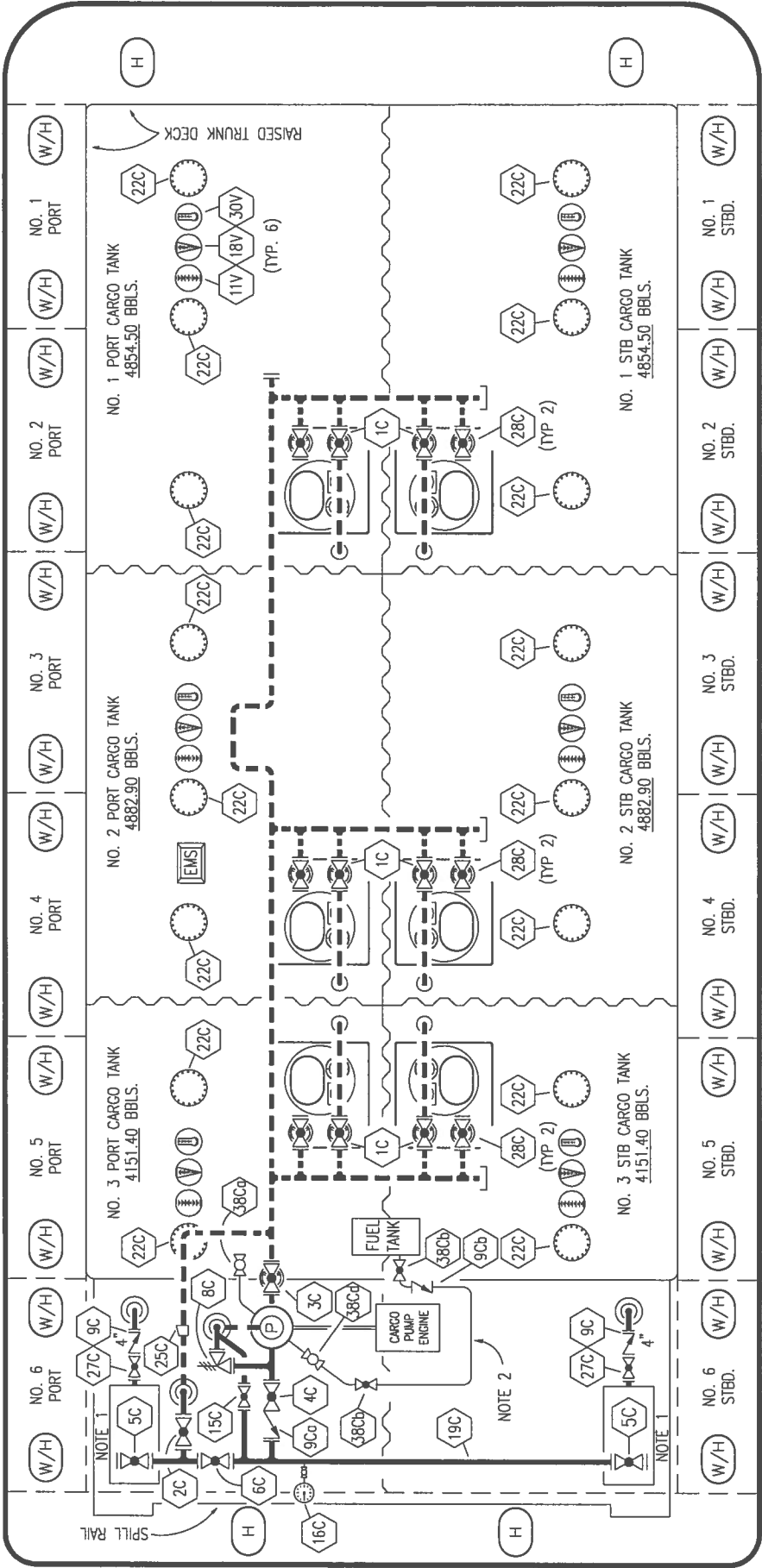


BOB



STERN

TRINITY MARINE



KIRBY INLAND MARINE

CARGO

PIPING FLOW DIAGRAM

REV. 1

KIRBY 27755

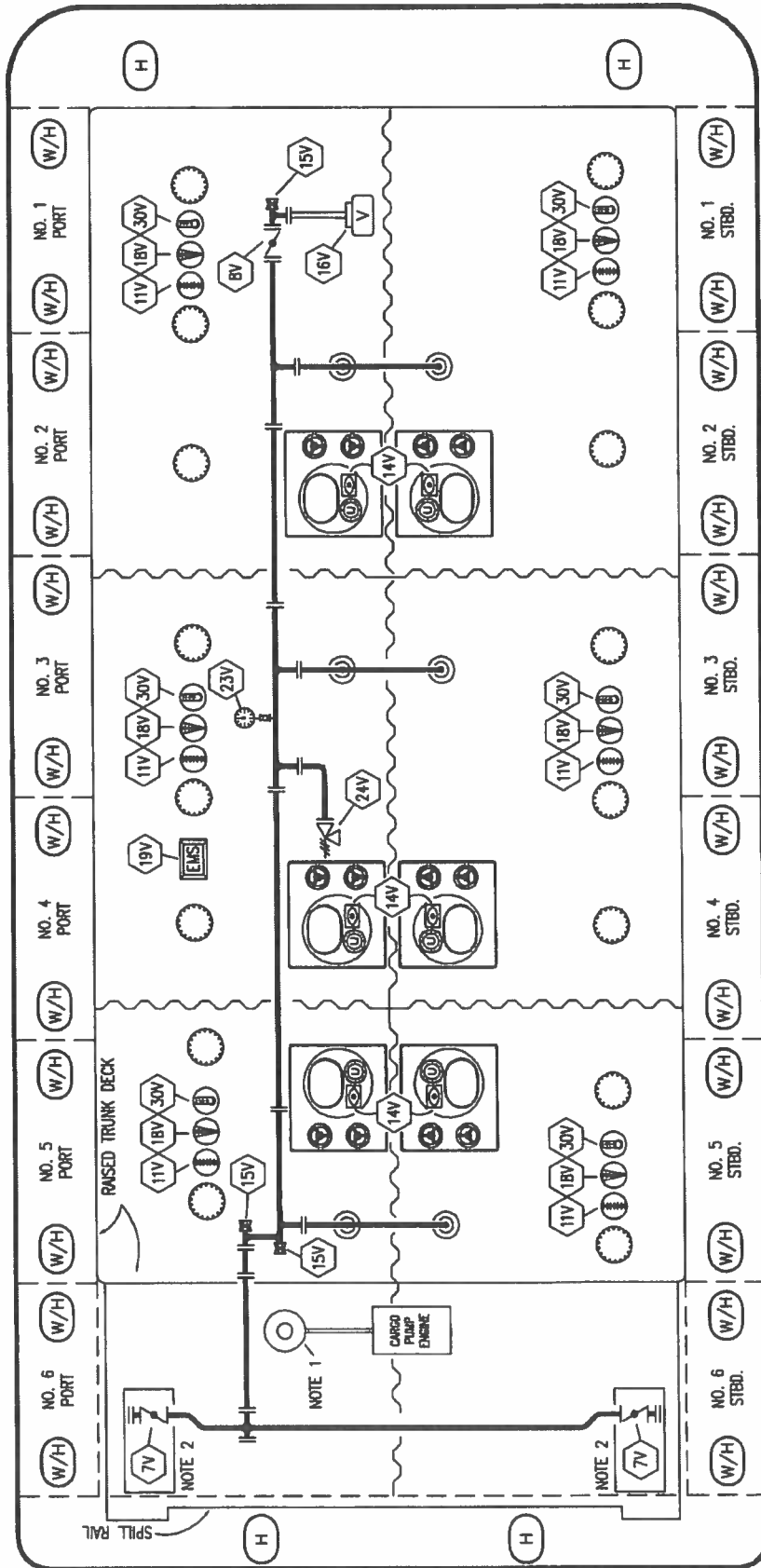
SCALE: NONE
PAGE: 1 OF 3

NO	SIZE	DESCRIPTION	NO	SIZE	DESCRIPTION
1C	8"	CARGO TANK VALVE	19C	10"	CARGO HEADER
2C	8"	LOAD VALVE	22C	19"	BUTTERWORTH
3C	10"	MASTER SUCTION VALVE	25C	10"x8"	ECCENTRIC REDUCER
4C	8"	DISCHARGE VALVE	27C	4"	DRIP PAN DRAIN VALVE
5C	8"	HEADER VALVE	28C	6"	HIGH LOAD VALVE
6C	8"	SALVAGE VALVE	11V		GAUGE STICK (LENGTH)
8C	6"	RELIEF VALVE	18V		RESTRICTIVE GAUGE TUBE
9Cg	8"	CHECK VALVE	30V		THERMAL WELL WITH PIPE CAP
9Cb	1"	CHECK VALVE	38Cg		DEEPWELL DRAIN VALVE
15C	2"	BYPASS VALVE (AROUND CHECK VALVE)	38Cb	1"	GATE VALVE
16C		DISCHARGE PRESSURE GAUGE	38Cd	1"	SPRING VALVE

NOTE 1: 6 BARREL DRIP PAN
NOTE 2: PICKLING LINE
ABOVE DECK PIPING ———
BELOW DECK PIPING - - - -

REV.	DATE	BY	CHK/APP	REVISION DESCRIPTION
1	05/07/14	DDA	DDA	OF
0	03/16/09	WK	RB	OF

REVISED PER CLIENT COMMENTS



NO	SIZE	DESCRIPTION
7V	8"	HEADER VALVE
8V	8"	VENT STACK VALVE
11V		GAUGE STICK (LENGTH)
14V		SIGHT GLASS
15V		INSPECTION PORT
16V	8"	VAPOR VENT STACK
18V		RESTRICTIVE GAUGE TUBE
19V		EMERGENCY SHUTDOWN SYSTEM
23V		PRESSURE GAUGE
24V	6"	PRESSURE RELIEF VALVE
30V	2"	THERMAL WELL WITH PIPE CAP

NOTE 1: DEEPWELL PUMP
 NOTE 2: 6 BARREL DRIP PAN
 ABOVE DECK PIPING

TRINITY MARINE

KIRBY INLAND MARINE

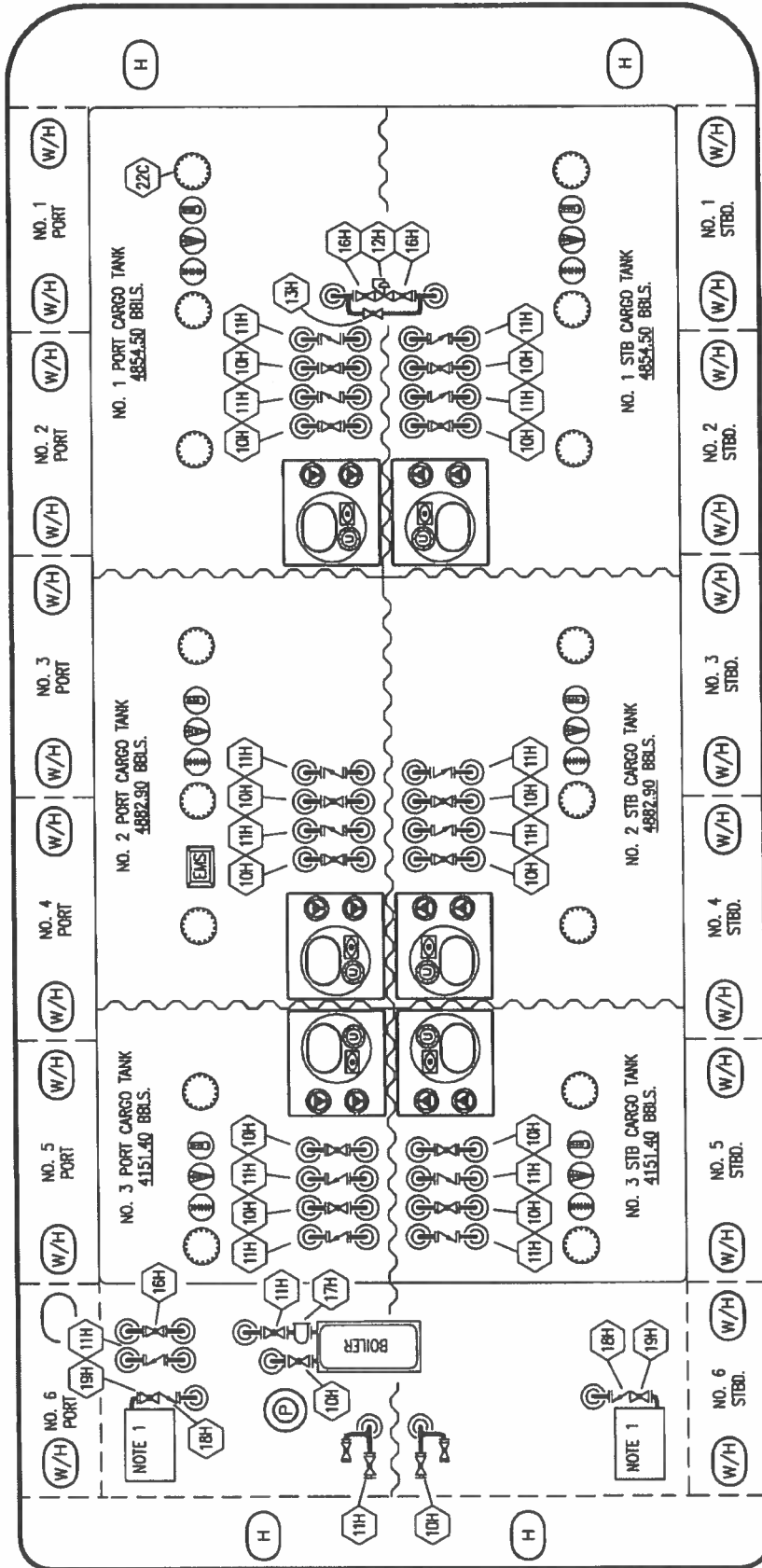
VAPOR

PIPING FLOW DIAGRAM

KIRBY 27755

SCALE: NONE
 PAGE: 2 OF 3
 REV: 0

REV	DATE	BY	CHK/APP	WK	RB	OF	APPROVED	REVISION DESCRIPTION
0	03/09/09							



NOTE 1: 6 BARREL DRIP PAN

TRINITY MARINE

KIRBY INLAND MARINE

HOT OIL PIPING FLOW DIAGRAM

REV.	DATE	BY	CHK/APP	WK	RB	OF	APPROVED	REVISION DESCRIPTION
0	03/16/09							

SCALE: NONE
PAGE: 3 of 3

- NO. DESCRIPTION
- 10H SUPPLY VALVE
 - 11H RETURN
 - 12H PRESSURE REGULATOR
 - 13H BY-PASS
 - 16H ISOLATION VALVE
 - 17H BASKET STRAINER
 - 18H CHECK VALVE
 - 19H DRIP PAN DRAIN VALVE
- ABOVE DECK PIPING

REV. **0**

KIRBY 27755