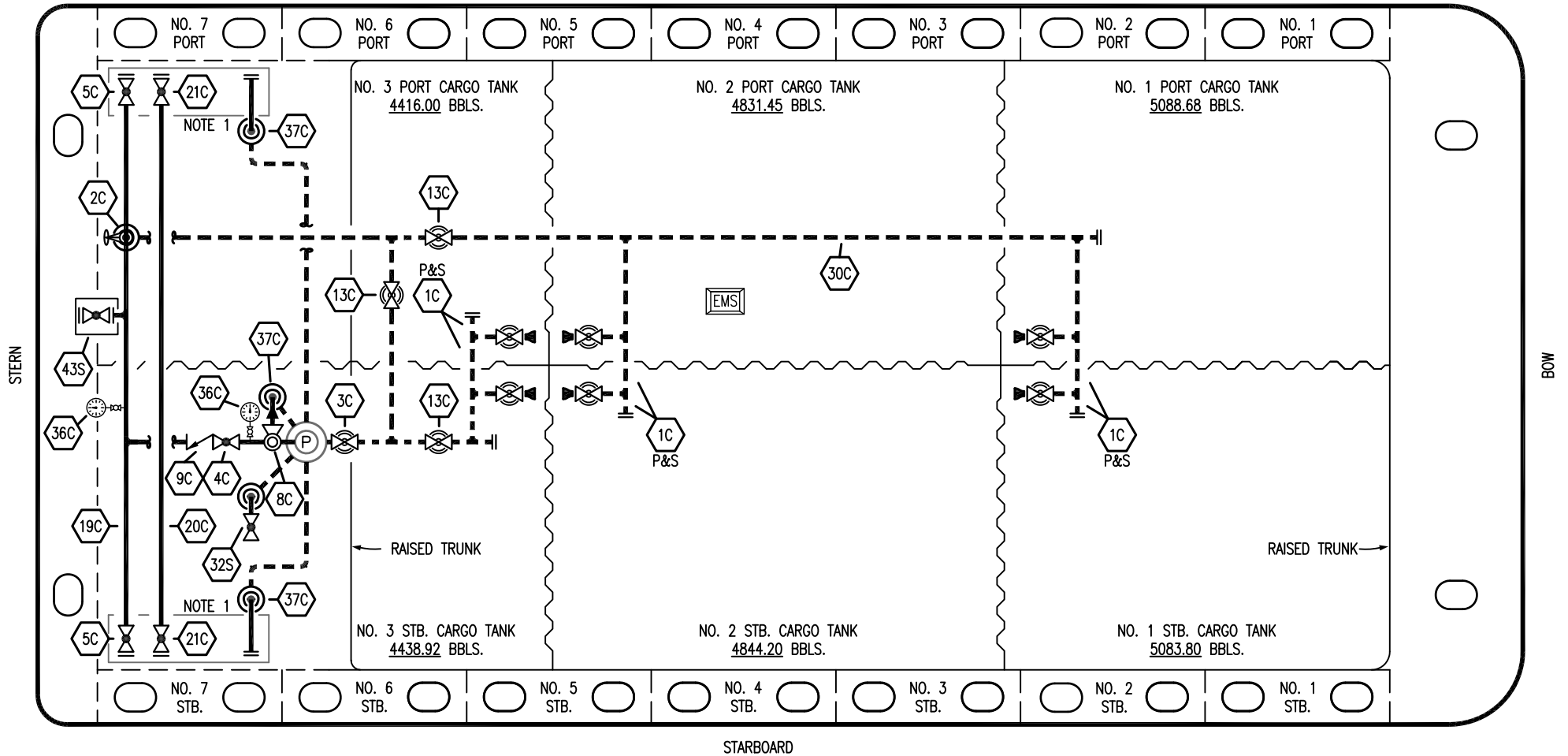


PORT



NO	DESCRIPTION	NO	DESCRIPTION
1C	CARGO TANK VALVE	20C	DUMMY HEADER PIPING
2C	LOAD VALVE	21C	DUMMY HEADER VALVE
3C	MASTER SUCTION VALVE	30C	CARGO PIPELINE
4C	DISCHARGE VALVE	32S	DEEPWELL STRIPPING VALVE SUCTION
5C	HEADER VALVE	36C	PRESSURE GAUGE
8C	RELIEF VALVE	37C	CARGO DROP
9C	CHECK VALVE	43S	STERN HEADER VALVE
13C	CARGO PIPING BLOCK VALVE	—	— ABOVE DECK PIPING
19C	CARGO HEADER	---	--- BELOW DECK PIPING

NOTE 1: CONTAINMENT P/S

REV.	DATE	BY	CHK	APP	REVISION DESCRIPTION
3	12/08/22	MRV	DDA	CW	REVISED PER CLIENT COMMENTS
2	11/12/19	NRB	DDA		REVISED PER CLIENT COMMENTS
1	10/01/19	NRB	DDA		REVISED PER CLIENT COMMENTS
0	02/20/19	MRV	DDA		ISSUED FOR APPROVAL

KIRBY INLAND MARINE 

**CARGO  
PIPING FLOW DIAGRAM**

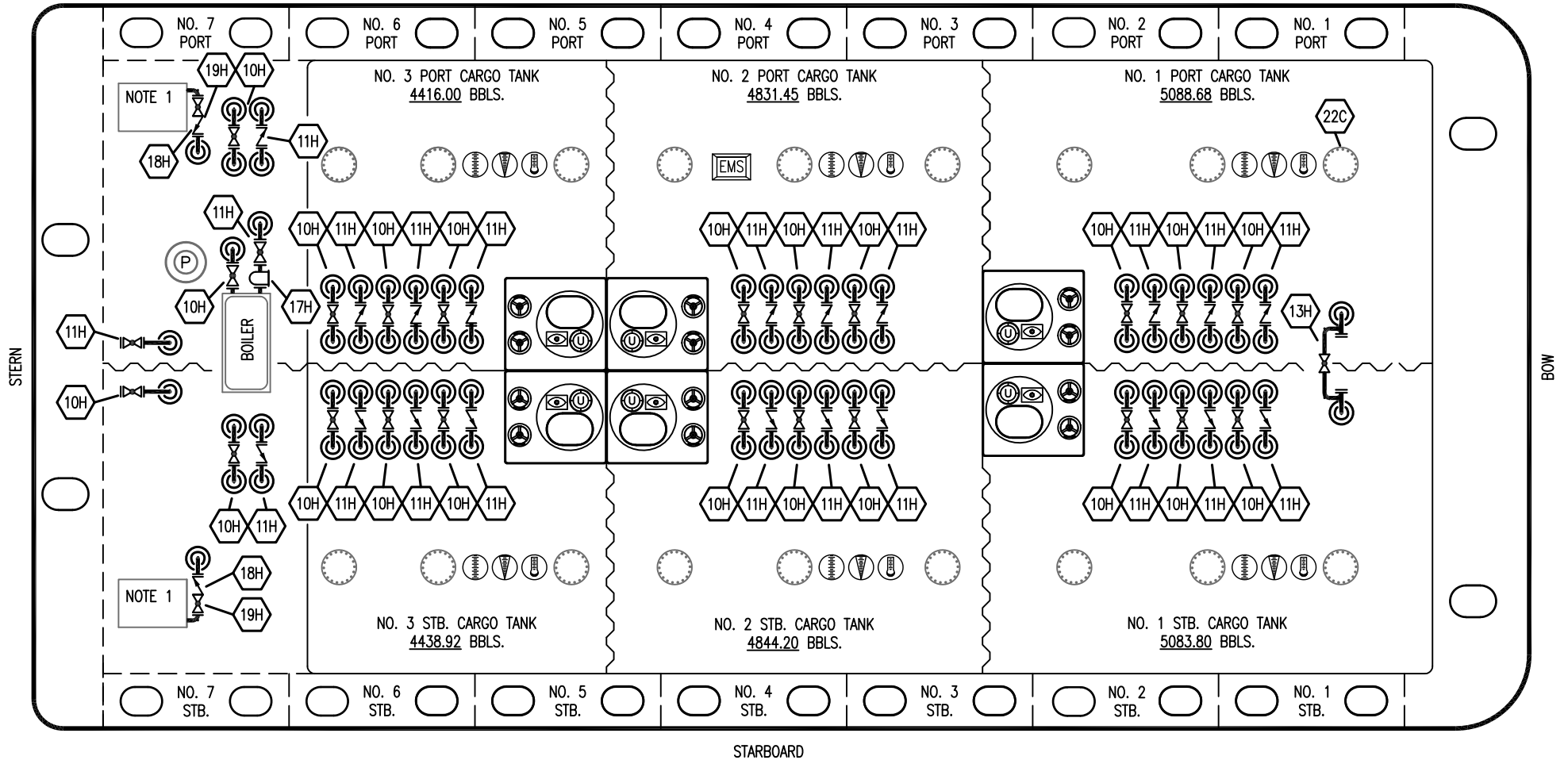
SCALE: NONE  
PAGE: 1 OF 4

**KIRBY 27738**

TRINITY

REV. **3**

PORT



STERN

BOW

STARBOARD

- | NO                  | DESCRIPTION          |
|---------------------|----------------------|
| 10H                 | SUPPLY VALVE         |
| 11H                 | RETURN               |
| 13H                 | BY-PASS              |
| 17H                 | BASKET STRAINER      |
| 18H                 | CHECK VALVE          |
| 19H                 | DRIP PAN DRAIN VALVE |
| — ABOVE DECK PIPING |                      |

NOTE 1: 6 BARREL DRIP PAN

TRINITY

REV.	DATE	BY	CHK	APP	REVISION DESCRIPTION
2	12/08/22	MRV	DDA	CW	REVISED PER CLIENT COMMENTS
1	10/01/19	NRB	DDA		REVISED PER CLIENT COMMENTS
0	02/20/19	MRV	DDA		ISSUED FOR APPROVAL

**KIRBY INLAND MARINE** 

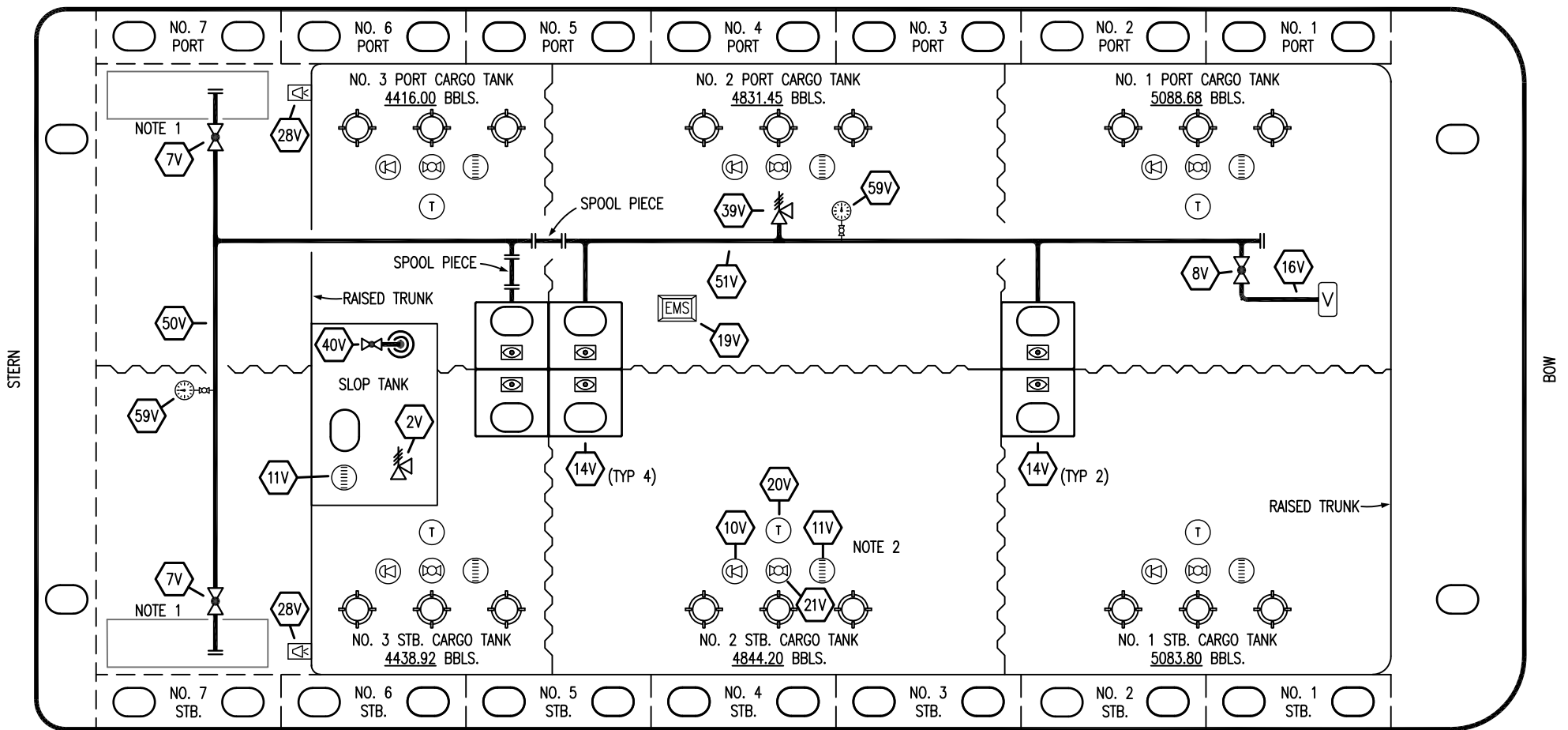
**HOT OIL  
PIPING FLOW DIAGRAM**

SCALE: NONE  
PAGE: 2 of 4

**KIRBY 27738**

REV. **2**

PORT



- |     |                            |
|-----|----------------------------|
| NO  | DESCRIPTION                |
| 2V  | PRESS/VAC SLOP TANK RELIEF |
| 7V  | HEADER VALVE               |
| 8V  | VENT STACK VALVE           |
| 10V | HIGH LEVEL/OVERFILL ALARM  |
| 11V | 1-METER GAUGE STICK        |
| 14V | SIGHT GLASS                |
| 16V | VAPOR VENT STACK           |
| 19V | EMERGENCY ENGINE SHUT DOWN |

- |     |                                          |
|-----|------------------------------------------|
| NO  | DESCRIPTION                              |
| 20V | PORTABLE TEMPERATURE DISPLAY UNIT (PTDU) |
| 21V | HERMETIC GAUGE                           |
| 28V | DOCK CONNECTION ALARM                    |
| 39V | PRESSURE/VACUUM RELIEF VALVE             |
| 40V | SLOP TANK SUCTION VALVE                  |
| 50V | VAPOR HEADER                             |
| 51V | VAPOR PIPELINE                           |
| 59V | PRESS/VAC GAUGE                          |
| —   | ABOVE DECK PIPING                        |

STARBOARD

NOTE 2: TYPICAL RIGGING IN EACH TANK  
NOTE 1: CONTAINMENT P/S

REV.	DATE	BY	CHK	APP	REVISION DESCRIPTION
2	12/08/22	MRV	DDA	CW	REVISED PER CLIENT COMMENTS
1	10/01/19	NRB	DDA		REVISED PER CLIENT COMMENTS
0	02/20/19	MRV	DDA		ISSUED FOR APPROVAL

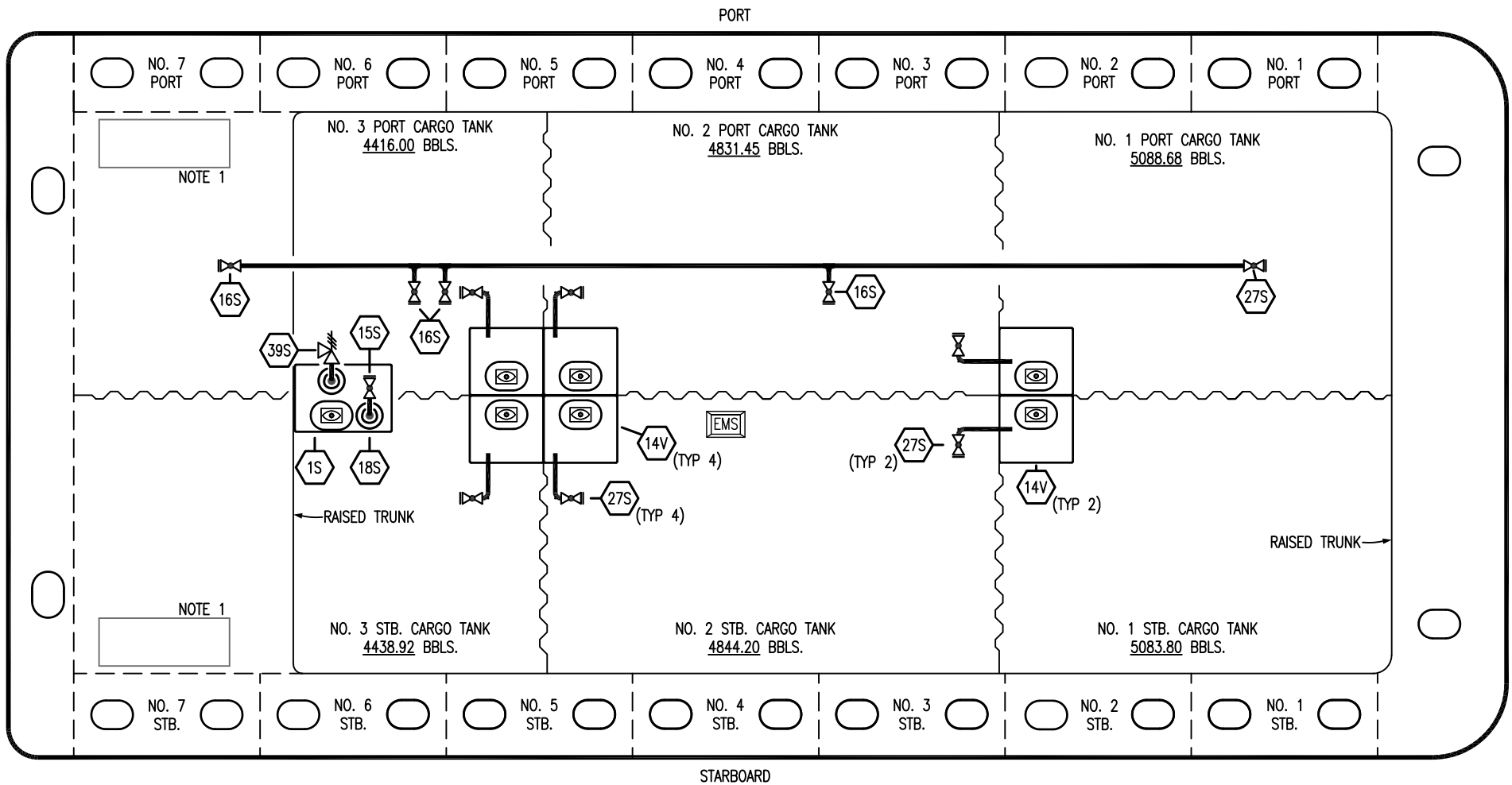
KIRBY INLAND MARINE 

**VAPOR PIPING FLOW DIAGRAM**

SCALE: NONE  
PAGE: 3 OF 4

**KIRBY 27738** REV. **2**

TRINITY



NO	DESCRIPTION	NO	DESCRIPTION
1S	SLOP TANK	36C	PRESSURE GAUGE
2S	CARGO SUMP SUCTION VALVE	39S	P/V VALVE
14V	SIGHT GLASS	—	ABOVE DECK PIPING
15S	DISCHARGE VALVE	- - -	BELOW DECK PIPING
16S	REMOTE SUCTION CONNECTION		
18S	TYP. STRIPPING PENETRATION (⊙)		
19V	EMERGENCY ENGINE SHUT DOWN		
26S	STRIPPING HEADER BLOCK VALVE		
27S	SUMP SUCTION VALVE		

NOTE 1: CONTAINMENT P/S

REV.	DATE	BY	CHK	APP	REVISION DESCRIPTION
1	12/08/22	MRV	DDA	CW	REVISED PER CLIENT COMMENTS
0	10/01/19	NRB	DDA		ISSUED FOR APPROVAL

KIRBY INLAND MARINE

STRIPPING  
PIPING FLOW DIAGRAM

SCALE: NONE	KIRBY 27738	REV
PAGE: 4 OF 4		1