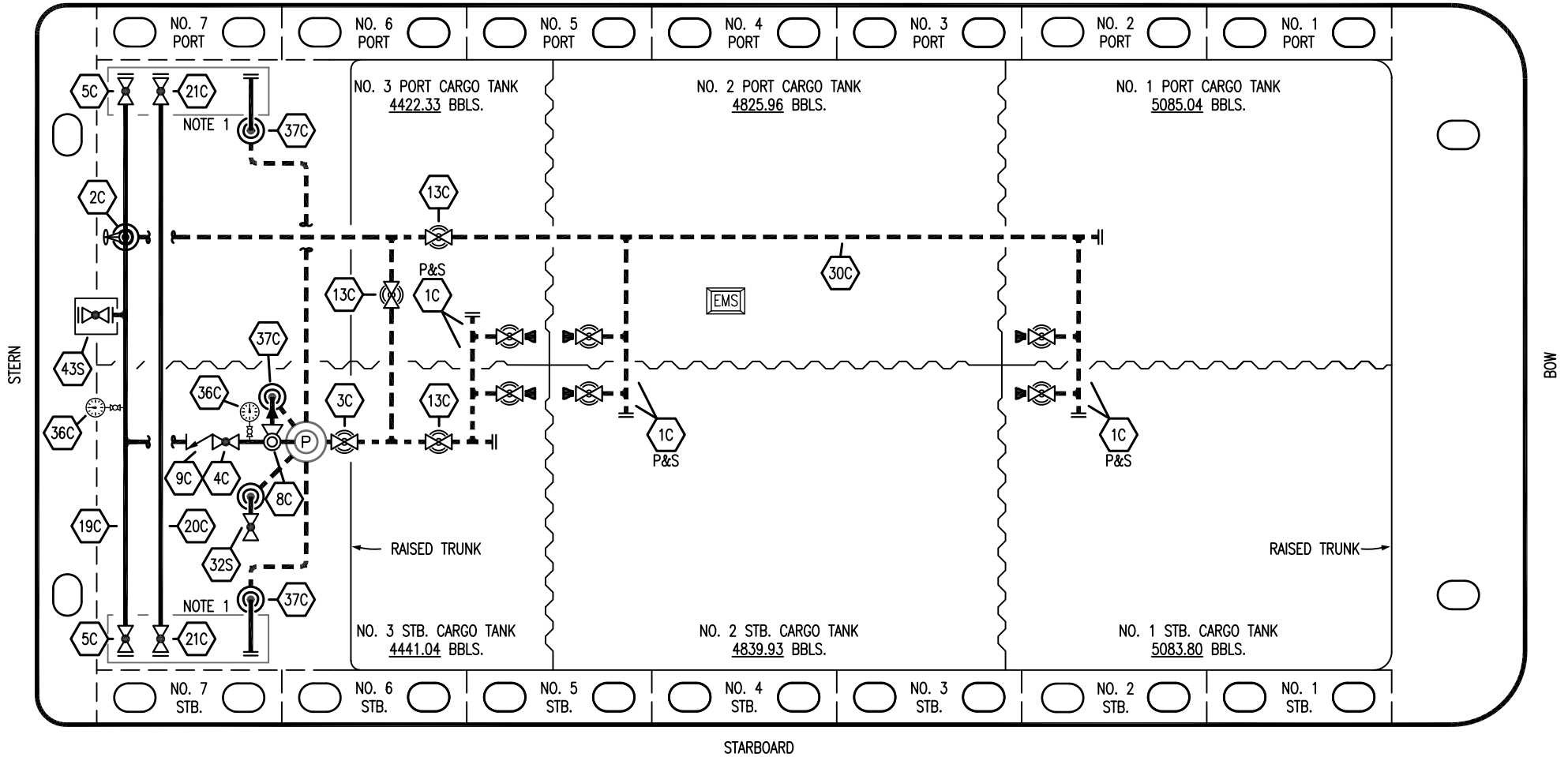


PORT



- | | | | |
|-----|--------------------------|-----|----------------------------------|
| NO | DESCRIPTION | NO | DESCRIPTION |
| 1C | CARGO TANK VALVE | 20C | DUMMY HEADER PIPING |
| 2C | LOAD VALVE | 21C | DUMMY HEADER VALVE |
| 3C | MASTER SUCTION VALVE | 30C | CARGO PIPELINE |
| 4C | DISCHARGE VALVE | 32S | DEEPWELL STRIPPING VALVE SUCTION |
| 5C | HEADER VALVE | 36C | PRESSURE GAUGE |
| 8C | RELIEF VALVE | 37C | CARGO DROP |
| 9C | CHECK VALVE | 43S | STERN HEADER VALVE |
| 13C | CARGO PIPING BLOCK VALVE | --- | ABOVE DECK PIPING |
| 19C | CARGO HEADER | --- | BELOW DECK PIPING |

NOTE 1: CONTAINMENT P/S

REV.	DATE	BY	CHK	APP	REVISION DESCRIPTION
2	12/08/22	MRV	DDA	CW	REVISED PER CLIENT COMMENTS
1	11/22/19	MRV	DDA		REVISED BARGE NAME
0	02/20/19	MRV	DDA		ISSUED FOR APPROVAL

TRINITY

KIRBY INLAND MARINE

CARGO

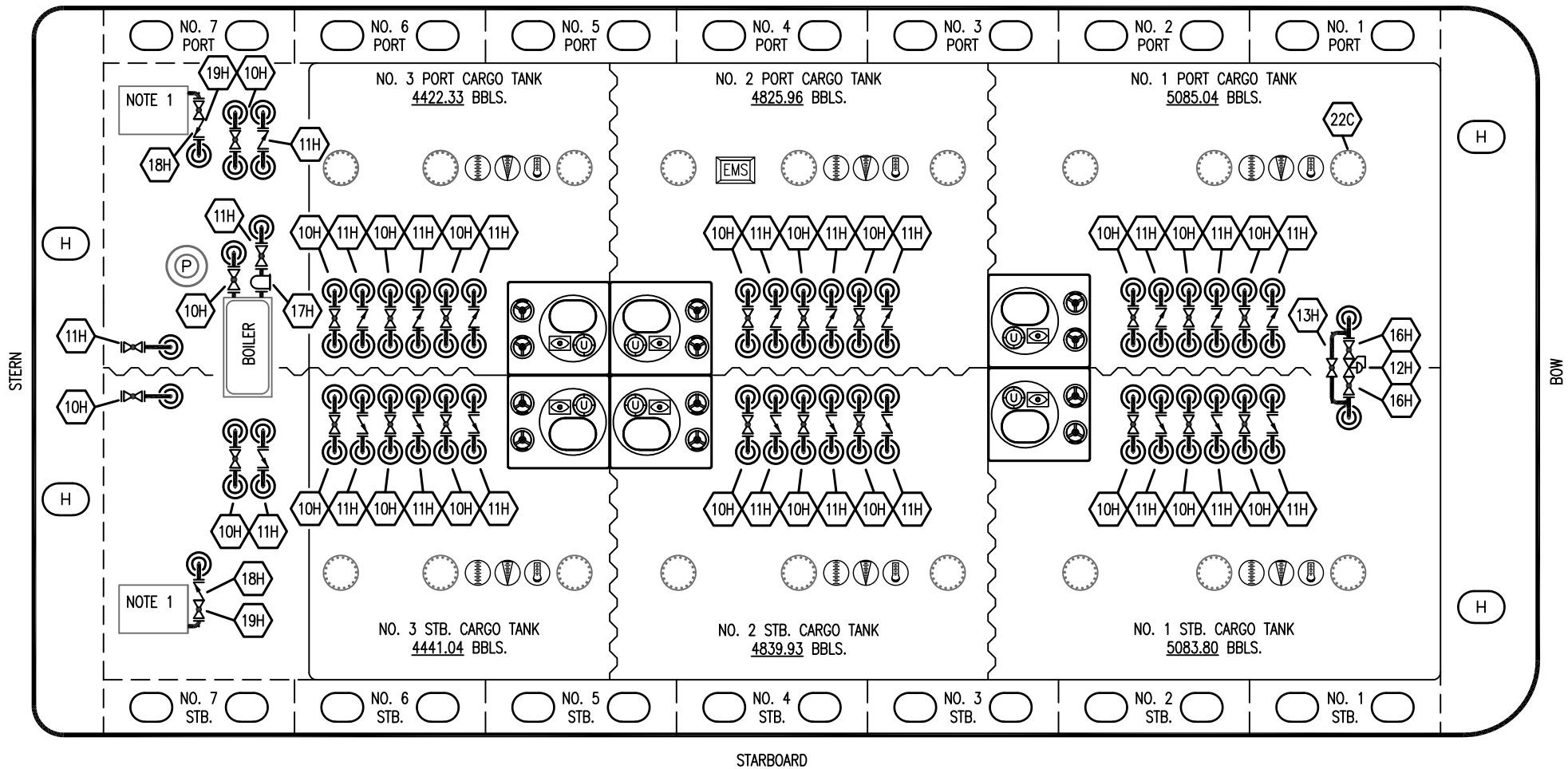
PIPING FLOW DIAGRAM

KIRBY 27734

REV. **2**

SCALE: NONE	
PAGE: 1 OF 3	

PORT



STARBOARD

- | NO | DESCRIPTION |
|-----|----------------------|
| 10H | SUPPLY VALVE |
| 11H | RETURN |
| 12H | PRESSURE REGULATOR |
| 13H | BY-PASS |
| 16H | ISOLATION VALVE |
| 17H | BASKET STRAINER |
| 18H | CHECK VALVE |
| 19H | DRIP PAN DRAIN VALVE |
- ABOVE DECK PIPING

NOTE 1: 6 BARREL DRIP PAN

TRINITY

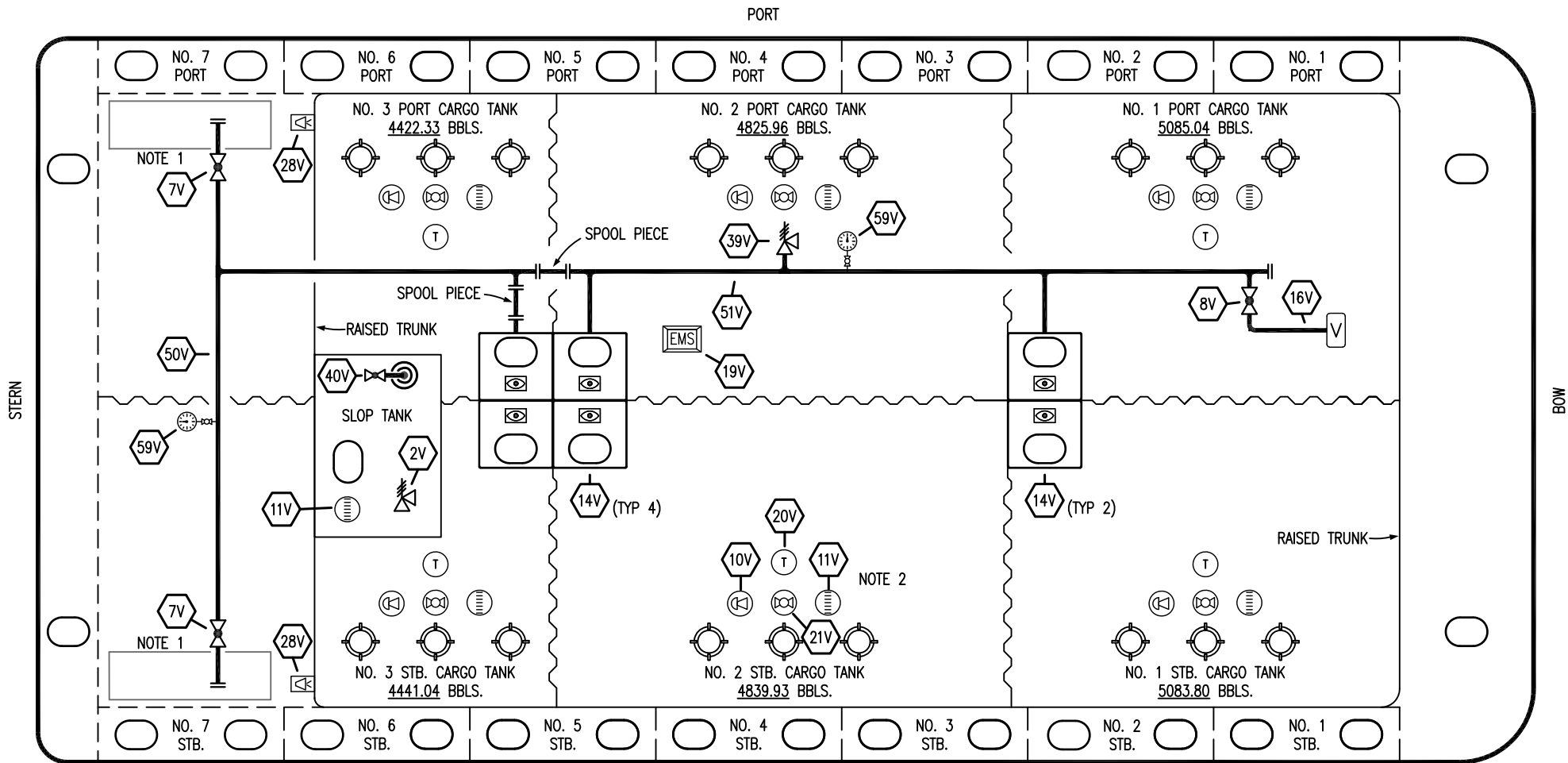
REV.	DATE	BY	CHK	APP	REVISION DESCRIPTION
2	12/08/22	MRV	DDA	CW	REVISED PER CLIENT COMMENTS
1	11/22/19	MRV	DDA		REVISED BARGE NAME
0	02/20/19	MRV	DDA		ISSUED FOR APPROVAL

KIRBY INLAND MARINE 

**HOT OIL
PIPING FLOW DIAGRAM**

SCALE: NONE
PAGE: 2 of 3

KIRBY 27734 REV. **2**



- | | |
|-----|----------------------------|
| NO | DESCRIPTION |
| 2V | PRESS/VAC SLOP TANK RELIEF |
| 7V | HEADER VALVE |
| 8V | VENT STACK VALVE |
| 10V | HIGH LEVEL/OVERFILL ALARM |
| 11V | 1-METER GAUGE STICK |
| 14V | SIGHT GLASS |
| 16V | VAPOR VENT STACK |
| 19V | EMERGENCY ENGINE SHUT DOWN |

- | | |
|-----|--|
| NO | DESCRIPTION |
| 20V | PORTABLE TEMPERATURE DISPLAY UNIT (PTDU) |
| 21V | HERMETIC GAUGE |
| 28V | DOCK CONNECTION ALARM |
| 39V | PRESSURE/VACUUM RELIEF VALVE |
| 40V | SLOP TANK SUCTION VALVE |
| 50V | VAPOR HEADER |
| 51V | VAPOR PIPELINE |
| 59V | PRESS/VAC GAUGE |
| — | ABOVE DECK PIPING |

NOTE 2: TYPICAL RIGGING IN EACH TANK
 NOTE 1: CONTAINMENT P/S

REV.	DATE	BY	CHK	APP	REVISION DESCRIPTION
2	12/08/22	MRV	DDA	CW	REVISED PER CLIENT COMMENTS
1	11/22/19	MRV	DDA		REVISED BARGE NAME
0	02/20/19	MRV	DDA		ISSUED FOR APPROVAL

TRINITY

KIRBY INLAND MARINE

**VAPOR
PIPING FLOW DIAGRAM**

SCALE: NONE	KIRBY 27734	PAGE: 3 OF 3
		REV. 2