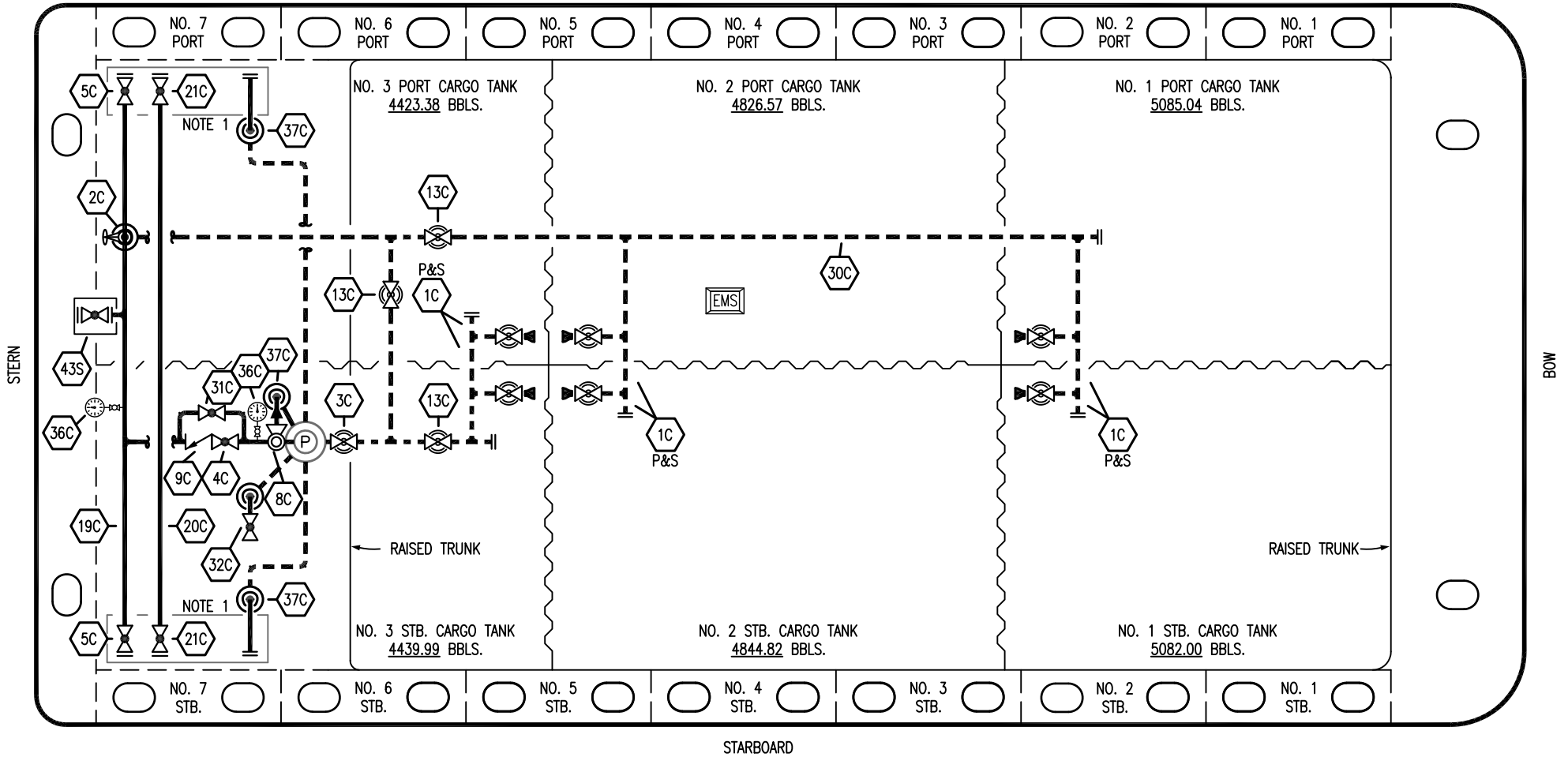


PORT




STARBOARD

NO	DESCRIPTION	NO	DESCRIPTION
1C	CARGO TANK VALVE	20C	DUMMY HEADER PIPING
2C	LOAD VALVE	21C	DUMMY HEADER VALVE
3C	MASTER SUCTION VALVE	30C	CARGO PIPELINE
4C	DISCHARGE VALVE	31C	BYPASS VALVE
5C	HEADER VALVE	32C	DEEPWELL STRIPPING VALVE SUCTION
8C	RELIEF VALVE	36C	PRESSURE GAUGE
9C	CHECK VALVE	37C	CARGO DROP
13C	CARGO PIPING BLOCK VALVE	43S	STERN HEADER VALVE
19C	CARGO HEADER	—	— ABOVE DECK PIPING
		- - -	BELOW DECK PIPING

NOTE 1: CONTAINMENT P/S

REV.	DATE	BY	CHK	APP	REVISION DESCRIPTION
3	04/30/24	AC	DDA	TFB	REVISED PER CLIENT COMMENTS
2	12/07/22	MRV	DDA	CW	REVISED PER CLIENT COMMENTS
1	06/05/19	NRB	DDA		REVISED BARGE NAME
0	02/15/19	MRV	DDA		ISSUED FOR APPROVAL

TRINITY

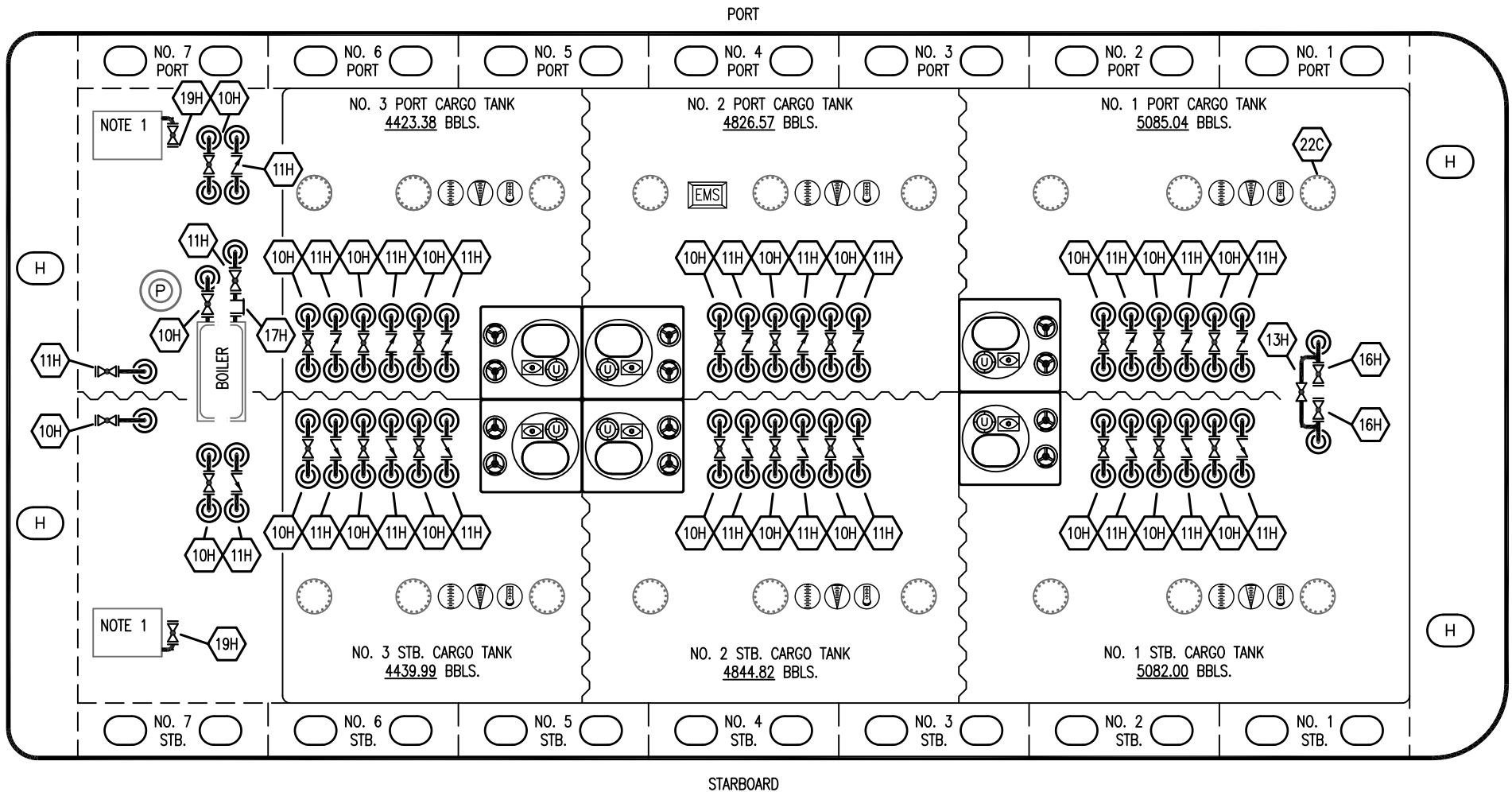


KIRBY INLAND MARINE

CARGO PIPING FLOW DIAGRAM

KIRBY 27727

SCALE: NONE	REV. 3
PAGE: 1 OF 3	




- | NO | DESCRIPTION |
|-----|----------------------|
| 10H | SUPPLY VALVE |
| 11H | RETURN |
| 12H | PRESSURE REGULATOR |
| 13H | BY-PASS |
| 16H | ISOLATION VALVE |
| 17H | BASKET STRAINER |
| 18H | CHECK VALVE |
| 19H | DRIP PAN DRAIN VALVE |
- ABOVE DECK PIPING

NOTE 1: 6 BARREL DRIP PAN

REV.	DATE	BY	CHK	APP	REVISION DESCRIPTION
3	04/30/24	AC	DDA	TFB	REVISED PER CLIENT COMMENTS
2	12/07/22	MRV	DDA	CW	REVISED PER CLIENT COMMENTS
1	06/05/19	NRB	DDA		REVISED BARGE NAME
0	02/15/19	MRV	DDA		ISSUED FOR APPROVAL

TRINITY



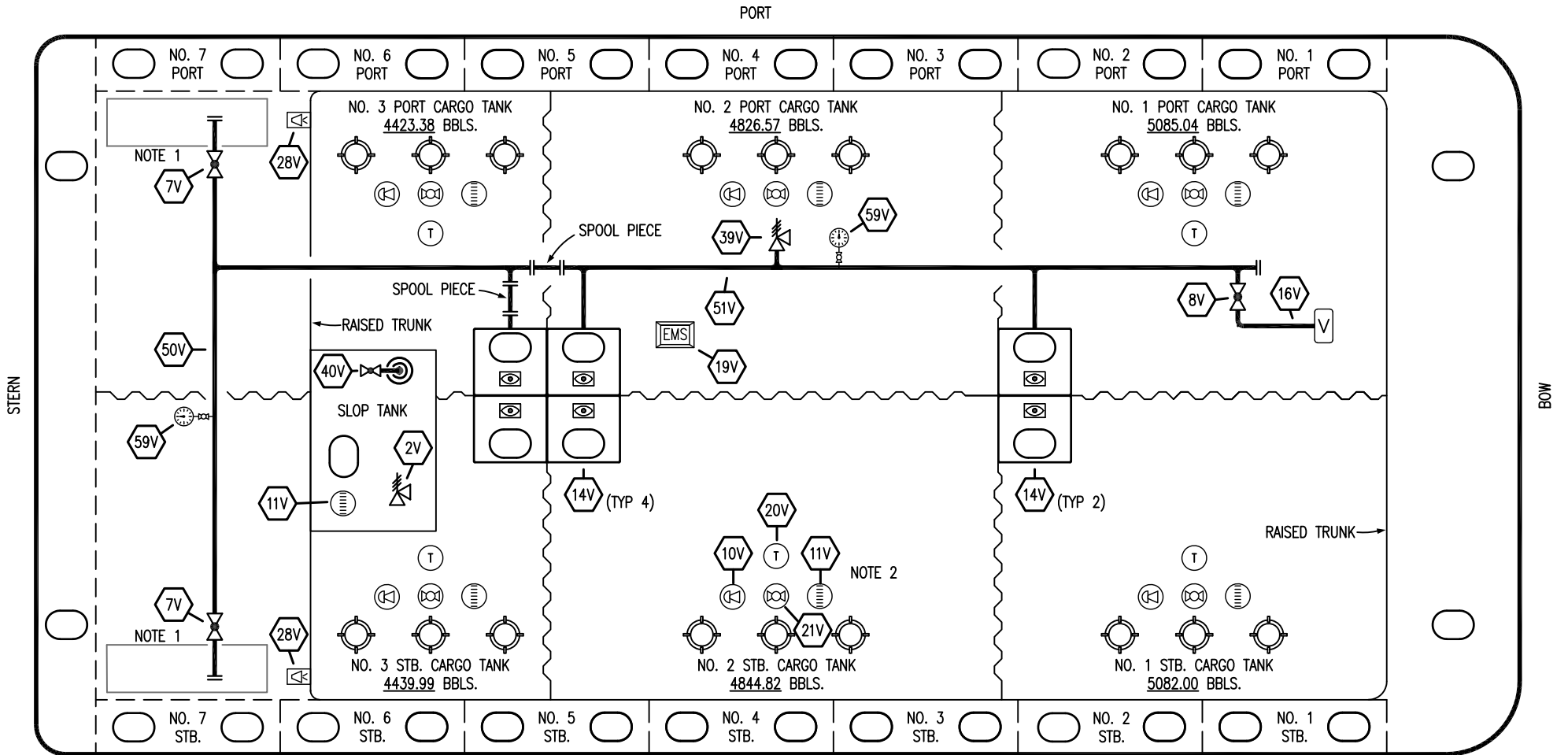
KIRBY INLAND MARINE

HOT OIL

PIPING FLOW DIAGRAM

KIRBY 27727

SCALE: NONE	REV. 3
PAGE: 2 of 3	



- | | |
|-----|----------------------------|
| NO | DESCRIPTION |
| 2V | PRESS/VAC SLOP TANK RELIEF |
| 7V | HEADER VALVE |
| 8V | VENT STACK VALVE |
| 10V | HIGH LEVEL/OVERFILL ALARM |
| 11V | 1-METER GAUGE STICK |
| 14V | SIGHT GLASS |
| 16V | VAPOR VENT STACK |
| 19V | EMERGENCY ENGINE SHUT DOWN |

- | | |
|-----|--|
| NO | DESCRIPTION |
| 20V | PORTABLE TEMPERATURE DISPLAY UNIT (PTDU) |
| 21V | HERMETIC GAUGE |
| 28V | DOCK CONNECTION ALARM |
| 39V | PRESSURE/VACUUM RELIEF VALVE |
| 40V | SLOP TANK SUCTION VALVE |
| 50V | VAPOR HEADER |
| 51V | VAPOR PIPELINE |
| 59V | PRESS/VAC GAUGE |
| — | ABOVE DECK PIPING |

NOTE 2: TYPICAL RIGGING IN EACH TANK
 NOTE 1: CONTAINMENT P/S

REV.	DATE	BY	CHK	APP	REVISION DESCRIPTION
2	12/07/22	MRV	DDA	CW	REVISED PER CLIENT COMMENTS
1	06/05/19	NRB	DDA		REVISED BARGE NAME
0	02/18/19	MRV	DDA		ISSUED FOR APPROVAL

TRINITY

KIRBY INLAND MARINE

**VAPOR
PIPING FLOW DIAGRAM**

SCALE: NONE	KIRBY 27727	REV. 2
PAGE: 3 OF 3		