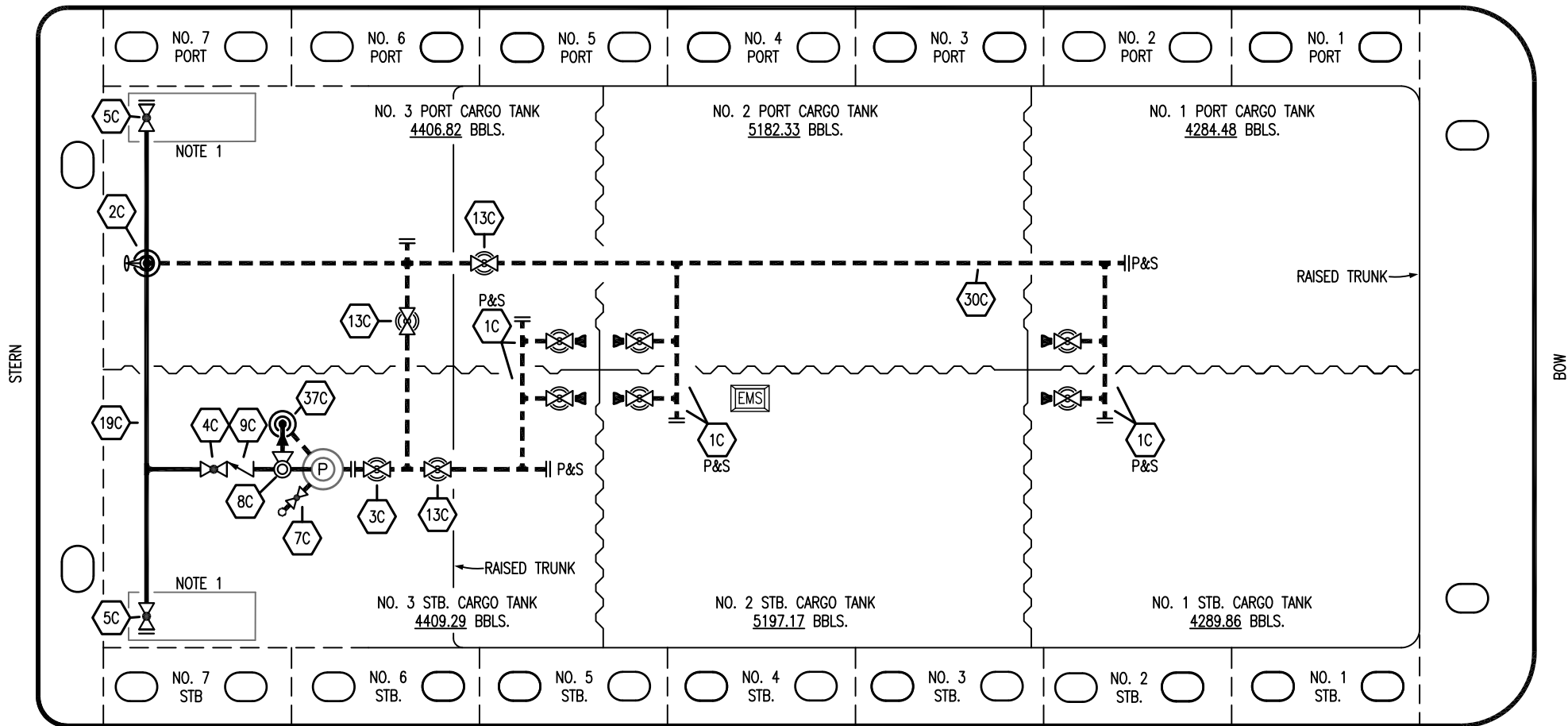


PORT



STARBOARD

- |     |                           |     |                |
|-----|---------------------------|-----|----------------|
| NO  | DESCRIPTION               | NO  | DESCRIPTION    |
| 1C  | CARGO TANK VALVE          | 30C | CARGO PIPELINE |
| 2C  | LOAD VALVE                | 37C | CARGO DROP     |
| 3C  | MASTER SUCTION VALVE      | —   | —              |
| 4C  | DISCHARGE VALVE           | —   | —              |
| 5C  | HEADER VALVE              | —   | —              |
| 7C  | DEEP WELL STRIPPING VALVE | —   | —              |
| 8C  | RELIEF VALVE              | —   | —              |
| 9C  | CHECK VALVE               | —   | —              |
| 13C | CARGO PIPING BLOCK VALVE  | —   | —              |
| 19C | CARGO HEADER              | —   | —              |

NOTE 1: CONTAINMENT P/S

REV.	DATE	BY	CHK	APP	REVISION DESCRIPTION
2	06/20/24	AC	DDA	REM	REVISED PER CLIENT COMMENTS
1	04/17/19	NRB	DDA		REVISED PER CLIENT COMMENTS
0	02/20/19	MRV	DDA		ISSUED FOR APPROVAL

WEST GULF

**KIRBY INLAND MARINE**

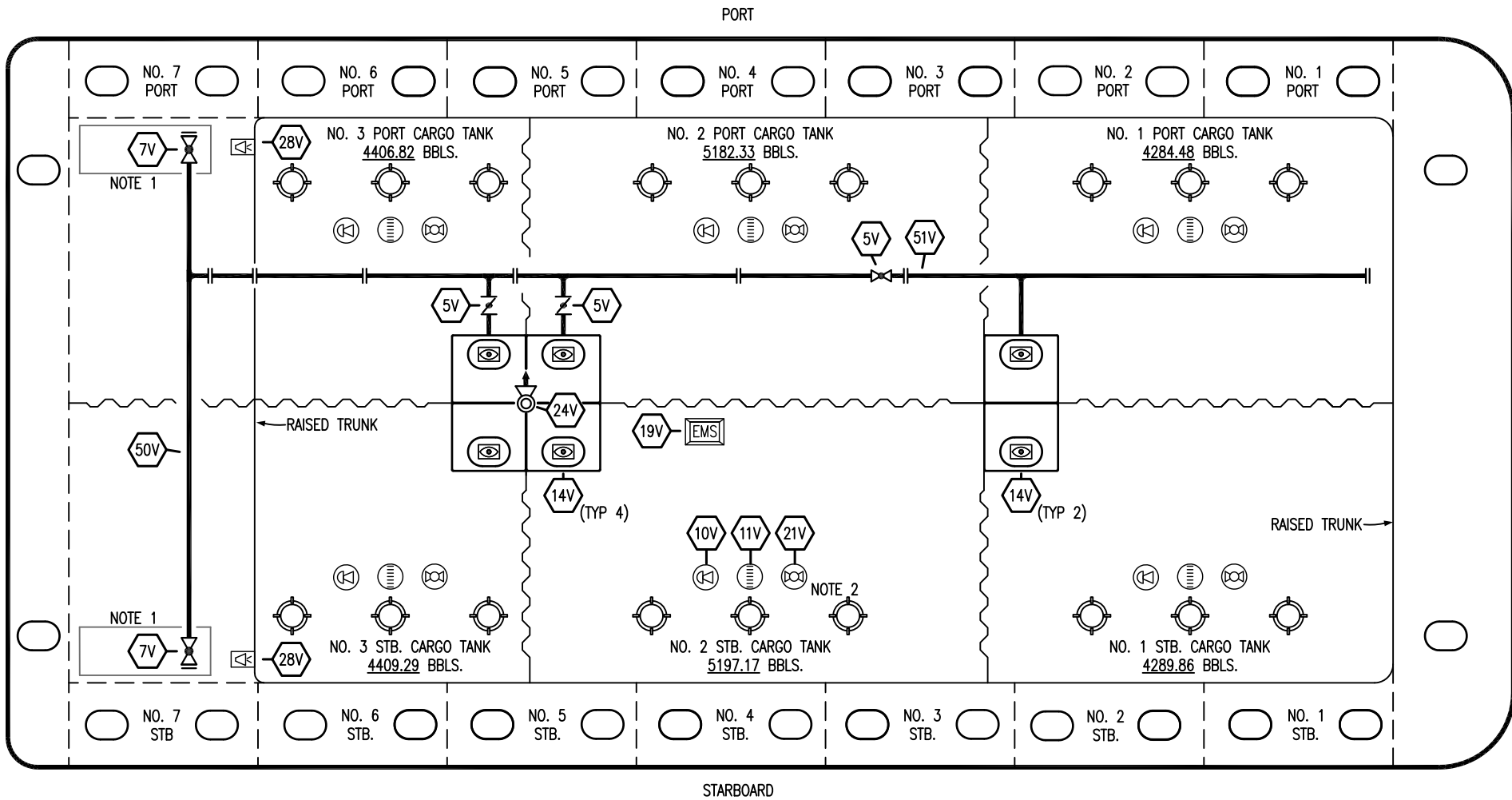
**CARGO**

**PIPING FLOW DIAGRAM**

**KIRBY 27013**

SCALE: NONE  
PAGE: 1 OF 3

**REV. 2**




- |     |                            |     |                       |
|-----|----------------------------|-----|-----------------------|
| NO  | DESCRIPTION                | NO  | DESCRIPTION           |
| 5V  | BLOCK VALVE                | 21V | HERMETIC GAUGE        |
| 7V  | HEADER VALVE               | 24V | PRESSURE RELIEF VALVE |
| 10V | HIGH LEVEL/OVERFILL ALARM  | 28V | DOCK CONNECTION ALARM |
| 11V | 1-METER GAUGE STICK        | 50V | VAPOR HEADER          |
| 14V | SIGHT GLASS                | 51V | VAPOR PIPELINE        |
| 19V | EMERGENCY ENGINE SHUT DOWN | —   | ABOVE DECK PIPING     |

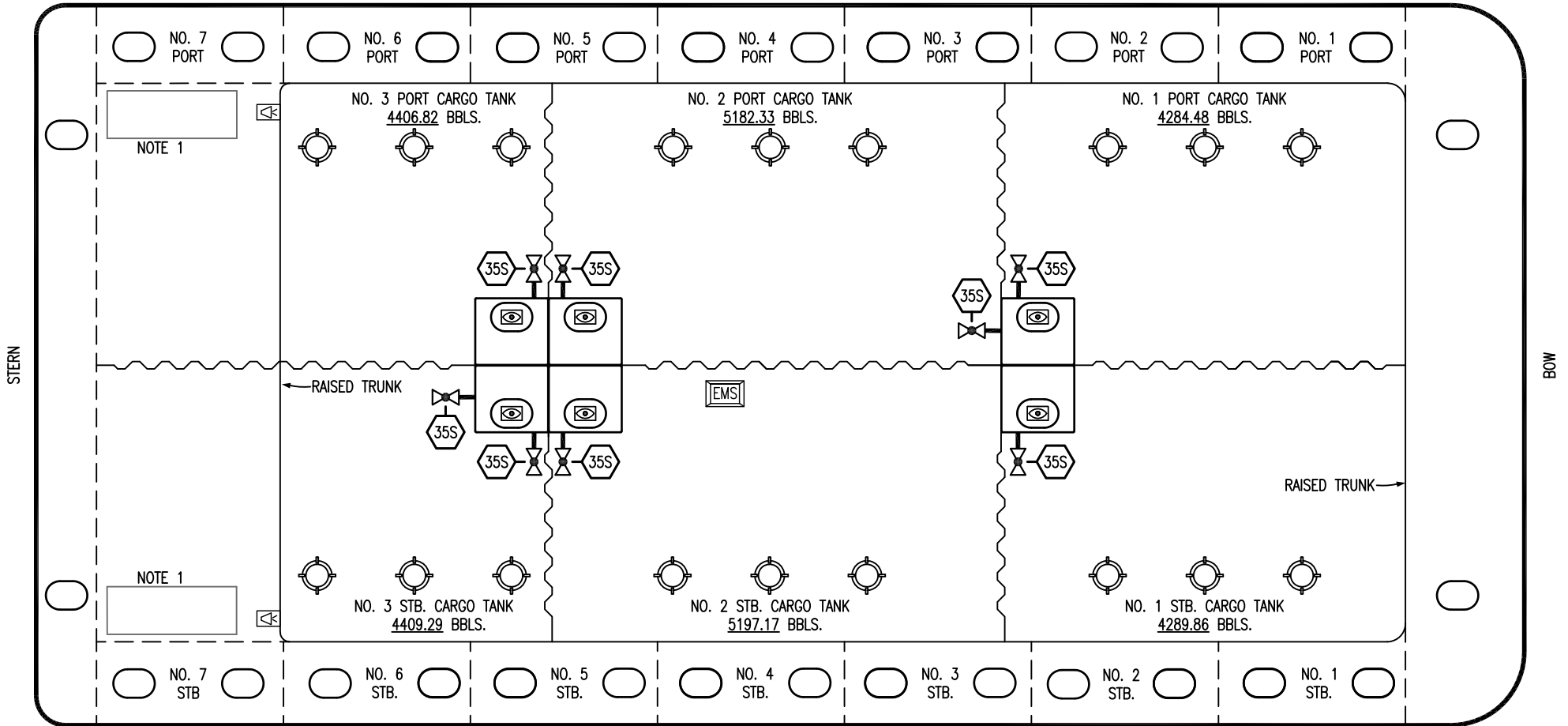
NOTE 2: TYPICAL RIGGING IN EACH TANK  
 NOTE 1: CONTAINMENT P/S

WEST GULF

REV.	DATE	BY	CHK	APP	REVISION DESCRIPTION
2	06/20/24	AC	DDA	REM	REVISED PER CLIENT COMMENTS
1	04/17/19	NRB	DDA		REVISED PER CLIENT COMMENTS
0	02/20/19	MRV	DDA		ISSUED FOR APPROVAL

<b>KIRBY INLAND MARINE</b> 	
SCALE: NONE	<b>KIRBY 27013</b>
PAGE: 2 OF 3	

PORT



NOTE 1

NOTE 1

NO DESCRIPTION  
 35S STRIPPING VALVE

STARBOARD

NOTE 1: CONTAINMENT P/S

WEST GULF

0	06/20/24	AC	DDA	REM	ISSUED FOR APPROVAL	SCALE: NONE
REV.	DATE	BY	CHK	APP	REVISION DESCRIPTION	PAGE: 3 OF 3

**KIRBY INLAND MARINE** 

**STRIPPING  
 PIPING FLOW DIAGRAM**

**KIRBY 27013** REV. **0**