


NO.	SIZE	DESCRIPTION
1C		CARGO TANK VALVE
2C		LOAD VALVE
3C		MASTER SUCTION VALVE
4C		DISCHARGE VALVE
5C		HEADER VALVE
9C		RELIEF VALVE
8C		CHECK VALVE
13C		CARGO PIPING BLOCK VALVE
130C		MASTER SUCTION BLOCK VALVE
130B		SECONDARY BLOCK VALVE

NO.	SIZE	DESCRIPTION
15C		BYPASS AROUND CHECK VALVE
30C		CARGO PIPELINE
37C		CARGO DROP

NOTE 1: CONTAINMENT PORT/STR.

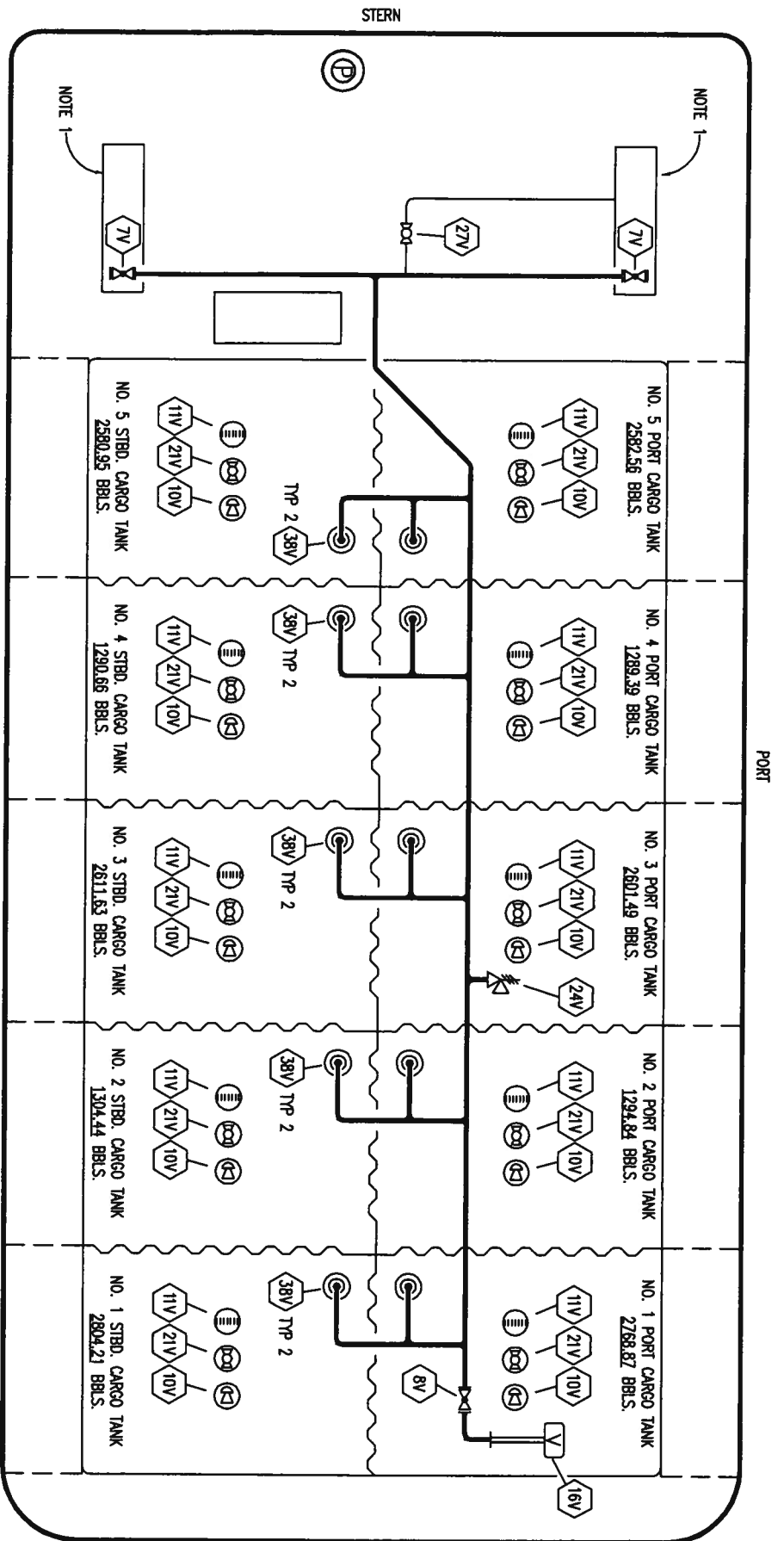
--- ABOVE DECK PIPING
 - - - - - BELOW DECK PIPING

REV.	DATE	BY	CHK	APP	REVISION DESCRIPTION
0	02/16/09	WK	RB	OF	APPROVED

KIRBY INLAND MARINE

CARGO
PIPING FLOW DIAGRAM

SCALE: NONE
 PAGE: 1 OF 3
KIRBY 21004T
 REV. 0


Jeffboat - EX: S/R 262



- | NO. | SIZE | DESCRIPTION |
|-----|------|---------------------------|
| 7V | | HEADER VALVE |
| 8V | | VENT STACK VALVE |
| 10V | | HIGH LEVEL/OVERFILL ALARM |
| 11V | | GAUGE STICK |
| 16V | | VAPOR VENT STACK |
| 21V | | HERMETIC GAUGE |
| 24V | | PRESSURE RELIEF VALVE |
| 27V | | VENT DRAIN VALVE |
| 38V | | VAPOR DROP |
| | | ABOVE DECK PIPING |

NOTE 1: CONTAMINANT PORT/STB.

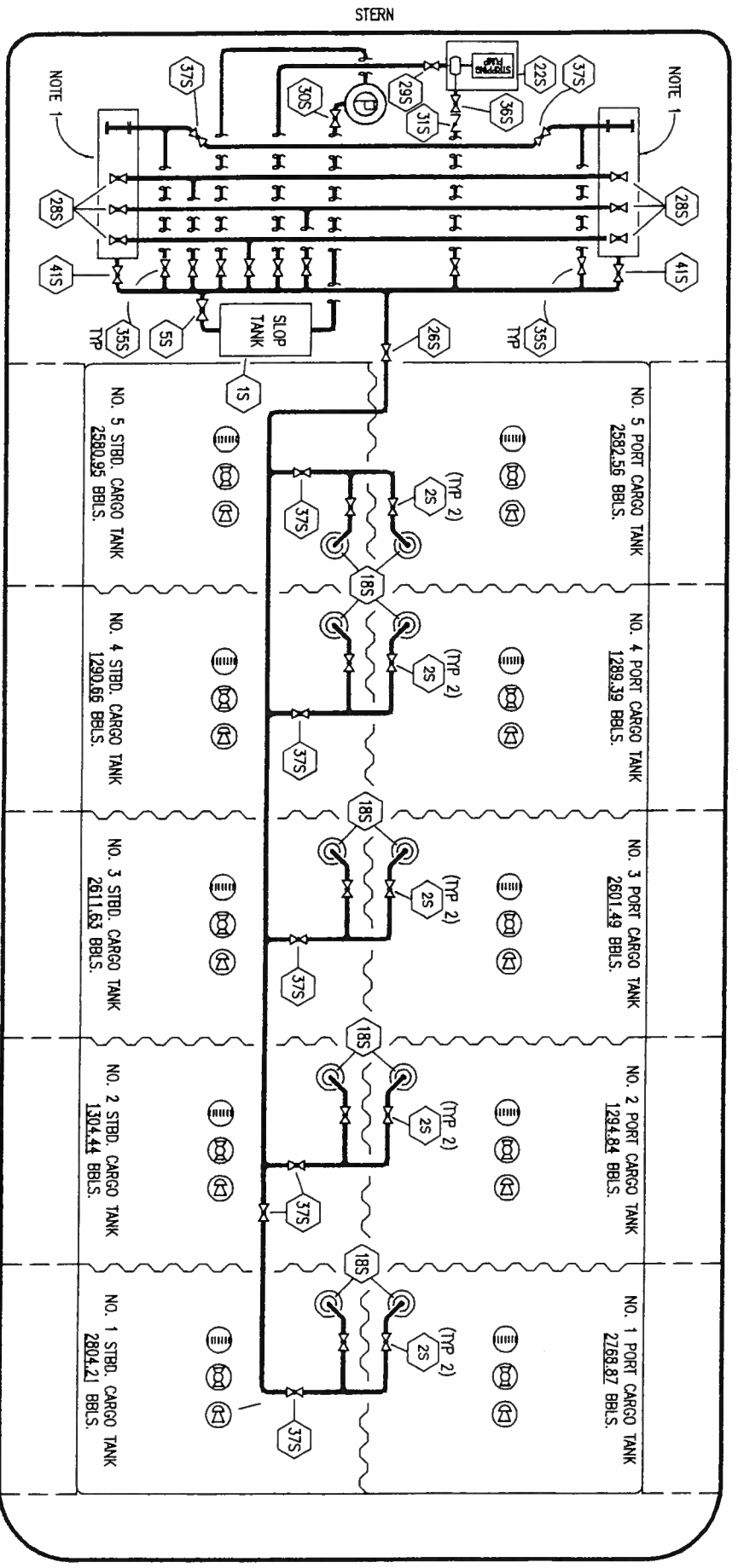
REV.	DATE	BY	CHK	APP	REVISION	DESCRIPTION
0	02/16/09	WK	RB	OF	APPROVED	

KIRBY INLAND MARINE

VAPOR
PIPING FLOW DIAGRAM

SCALE: NONE
 PAGE: 2 OF 3
KIRBY 21004T

REV. 0

Jeffboot - EX: S/R 262




NO.	DESCRIPTION
1S	SLOP TANK
2S	VALVE CARGO TANK
5S	SLOP TANK SUCTION VALVE
7S	SLOP TANK VALVE
14S	VALVE DISCHARGE
18S	STRIPPING DROP
22S	STRIPPING PUMP
26S	STRIPPING HEADER BLOCK VALVE
28S	CARGO HEADER VALVE
29S	STRIPPING PUMP SUCTION VALVE

NO.	DESCRIPTION
30S	STRIP DEEP WELL VALVE
31S	CHECK VALVE
35S	STRIPPING VALVE
36S	STRIPPING PUMP DISCHARGE
37S	BLOCK VALVE
41S	CONTAINMENT DRAIN VALVE

ABOVE DECK PIPING

NOTE 1: CONTAINMENT PORT/STB.

REV.	DATE	BY	CHK	APP	REVISION DESCRIPTION
1	04/01/09	WK	RB	OF	CHANGE PG NUMBER
0	02/16/09	WK	RB	OF	APPROVED



KIRBY INLAND MARINE
STRIPPING
PIPING FLOW DIAGRAM

SCALE: NONE
 PAGE: 3 OF 4
KIRBY 21004T

REV. **1**

Jeffboat - EX: S/R 262