

- | | | | |
|-----------|-----------------------------------|-----------|----------------------|
| NO | DESCRIPTION | NO | DESCRIPTION |
| 2Cb | 8" LFG ONLY/BOTTOM LOAD/DISCHARGE | 35C | 8" CROSSOVER |
| 2Cs | 8" LFG ONLY/SPRAY LOAD | 37C | CARGO DROP |
| 5C | 8" HEADER VALVE | 38C | 8" CARGO BLOCK VALVE |
| 8C | 2" PRESSURE RELIEF VALVE | A | AUTOMATIC VALVE |
| 18C | 24" MANWAY | M | MANUAL VALVE |
| 19C | 8" CARGO HEADER | — | ABOVE TANK PIPING |
| 30C | 8" CARGO PIPELINE | | |

REV.	DATE	BY	CHK	APP	REVISION DESCRIPTION
1	07/14/09	RB	RB	OF	ADD RELIEF & BLK VLV.
0	01/19/09	WK	RB	GB	APPROVED
A	01/07/09	WK	GB		ISSUED FOR REVIEW

KIRBY INLAND MARINE

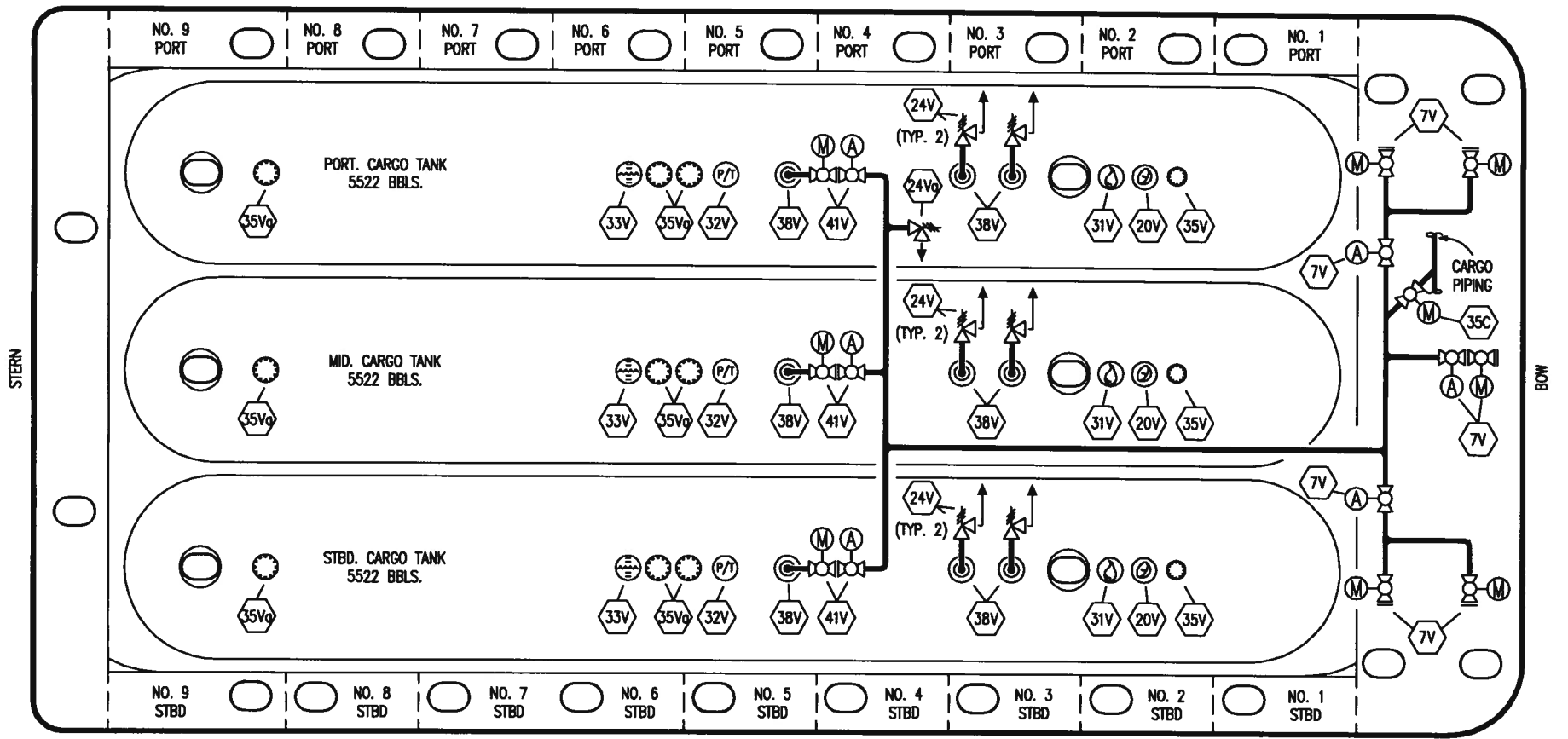
**PRESSURE BARGE - CARGO
PIPING FLOW DIAGRAM**

SCALE: NONE

KIRBY 16813

PAGE: 1 OF 2

REV. **1**



- | | |
|------------------|---------------------------|
| NO | DESCRIPTION |
| 7V | 8" HEADER VALVE |
| 20V | RADAR GAUGING |
| 24V | 6" PRESSURE RELIEF VALVE |
| 24V _o | 2" PRESSURE RELIEF VALVE |
| 31V | SAMPLE |
| 32V | PRESSURE/TEMPERATURE |
| 33V | DIGITAL FLOAT LEVEL GAUGE |
| 35V | 2" SPARE |
| 35V _o | 8" SPARE |

- | | |
|-----|---------------------|
| NO | DESCRIPTION |
| 35C | CROSSOVER VALVE |
| 38V | VAPOR DROP |
| 41V | 8" VAPOR TANK VALVE |
| A | AUTOMATIC VALVE |
| M | MANUAL VALVE |
| — | ABOVE TANK PIPING |

1	07/14/09	RB	RB	OF	ADD RELIEF VALVE
0	01/19/09	WK	RB	GB	APPROVED
A	01/07/09	WK	GB		ISSUED FOR REVIEW
REV.	DATE	BY	CHK	APP	REVISION DESCRIPTION

KIRBY INLAND MARINE

PRESSURE BARGE - VAPOR PIPING FLOW DIAGRAM

SCALE: NONE	KIRBY 16813	REV. 1
PAGE: 2 OF 2		