

KIRBY INLAND MARINE

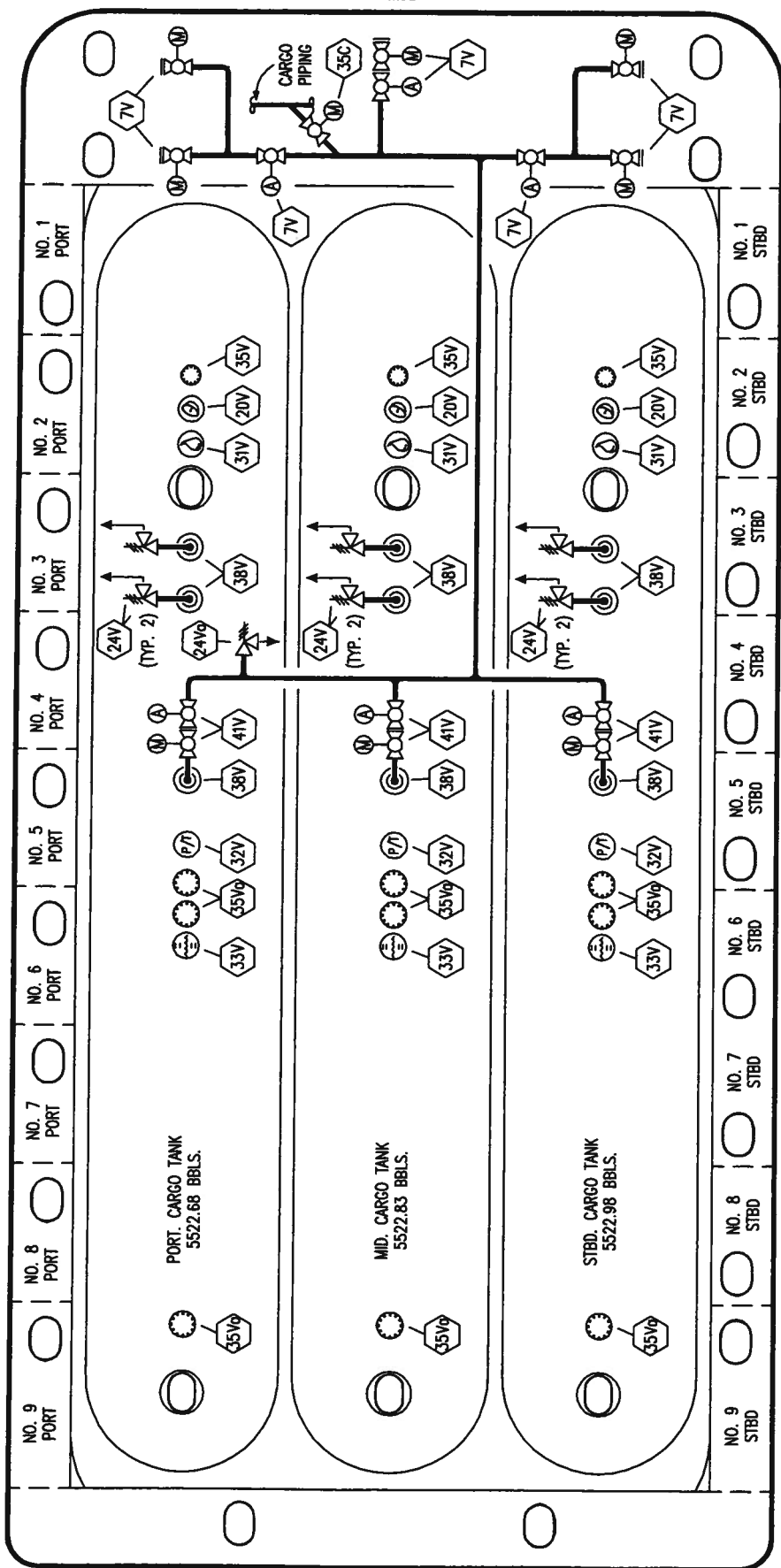
**PRESSURE BARGE - CARGO
PIPING FLOW DIAGRAM**

SCALE: NONE
PAGE: 1 OF 2

REV.	DATE	BY	CHK	APP	REVISION DESCRIPTION
1	06/29/09	RB	RB	OF	ADD RELIEF & BLK VLV.
0	01/19/09	WK	RB	GB	APPROVED
A	01/07/09	WK	GB		ISSUED FOR REVIEW

- | | | | |
|---------|-----------------------------------|---------|----------------------|
| NO. 20a | 8" LFG ONLY/BOTTOM LOAD/DISCHARGE | NO. 35C | DESCRIPTION |
| NO. 20s | 8" LFG ONLY/SPRAY LOAD | NO. 37C | 8" CROSSOVER |
| NO. 5C | 8" HEADER VALVE | NO. 38C | CARGO DROP |
| NO. 8C | 2" PRESSURE RELIEF VALVE | NO. A | 8" CARGO BLOCK VALVE |
| NO. 18C | 24" MANWAY | NO. M | AUTOMATIC VALVE |
| NO. 19C | 8" CARGO HEADER | NO. — | MANUAL VALVE |
| NO. 30C | 8" CARGO PIPELINE | | ABOVE TANK PIPING |

MOB



STERN



KIRBY INLAND MARINE

**PRESSURE BARGE - VAPOR
PIPING FLOW DIAGRAM**

REV.	DATE	BY	CHK APP	REVISION DESCRIPTION
1	06/29/09	RB	OF	ADD RELIEF VALVE
0	01/19/09	WK	GB	APPROVED
A	01/07/09	WK	GB	ISSUED FOR REVIEW

SCALE: NONE
PAGE: 2 OF 2

KIRBY 16812

REV. **1**

- | | | | |
|----------|---------------------------|---------|---------------------|
| NO. 7V | 8" HEADER VALVE | NO. 35C | CROSSOVER VALVE |
| NO. 20V | RADAR GAUGING | NO. 38V | VAPOR DROP |
| NO. 24V | 6" PRESSURE RELIEF VALVE | NO. 41V | 8" VAPOR TANK VALVE |
| NO. 24Vg | 2" PRESSURE RELIEF VALVE | NO. A | AUTOMATIC VALVE |
| NO. 31V | SAMPLE | NO. M | MANUAL VALVE |
| NO. 32V | PRESSURE/TEMPERATURE | | ABOVE TANK PIPING |
| NO. 33V | DIGITAL FLOAT LEVEL GAUGE | | |
| NO. 35V | 2" SPARE | | |
| NO. 35Vg | 8" SPARE | | |