

- | | | | |
|-----------|-----------------------------------|-----------|----------------------|
| NO | DESCRIPTION | NO | DESCRIPTION |
| 2Cb | 8" LFG ONLY/BOTTOM LOAD/DISCHARGE | 35C | 8" CROSSOVER |
| 2Cs | 8" LFG ONLY/SPRAY LOAD | 37C | CARGO DROP |
| 5C | 8" HEADER VALVE | 38C | 8" CARGO BLOCK VALVE |
| 8C | 2" PRESSURE RELIEF VALVE | (A) | AUTOMATIC VALVE |
| 18C | 24" MANWAY | (M) | MANUAL VALVE |
| 19C | 8" CARGO HEADER | — | ABOVE TANK PIPING |
| 30C | 8" CARGO PIPELINE | | |

REV.	DATE	BY	CHK	APP	REVISION DESCRIPTION
1	07/14/09	RB	RB	OF	ADD RELIEF & BLK VLV.
0	01/19/09	WK	RB	GB	APPROVED
A	01/07/09	WK	GB		ISSUED FOR REVIEW

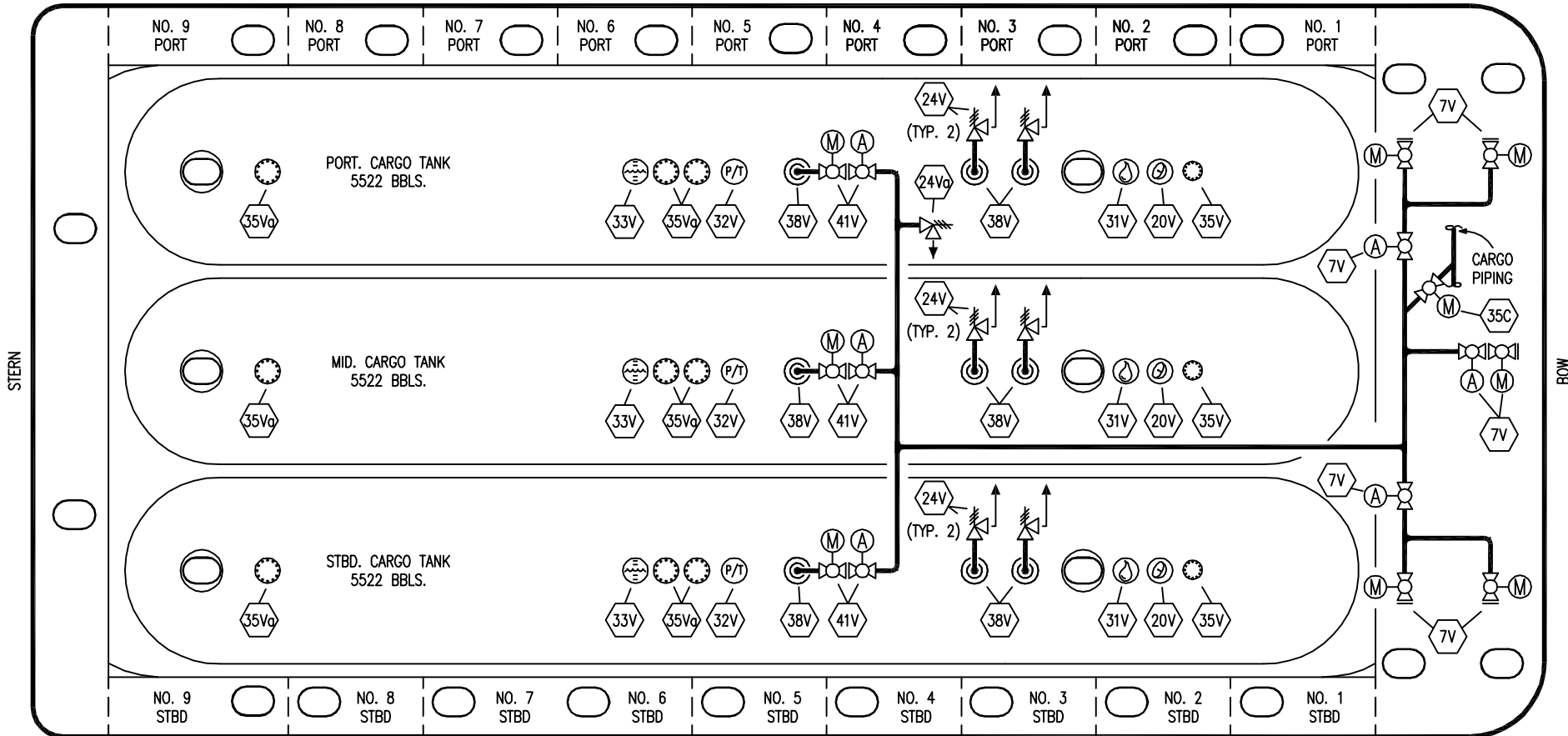
KIRBY INLAND MARINE 

**PRESSURE BARGE - CARGO
PIPING FLOW DIAGRAM**

SCALE: NONE
PAGE: 1 OF 2

KIRBY 16811

REV. **1**



- | | | | |
|-----------|---------------------------|-----------|---------------------|
| NO | DESCRIPTION | NO | DESCRIPTION |
| 7V | 8" HEADER VALVE | 35C | CROSSOVER VALVE |
| 20V | RADAR GAUGING | 38V | VAPOR DROP |
| 24V | 6" PRESSURE RELIEF VALVE | 41V | 8" VAPOR TANK VALVE |
| 24Vq | 2" PRESSURE RELIEF VALVE | A | AUTOMATIC VALVE |
| 31V | SAMPLE | M | MANUAL VALVE |
| 32V | PRESSURE/TEMPERATURE | — | ABOVE TANK PIPING |
| 33V | DIGITAL FLOAT LEVEL GAUGE | | |
| 35V | 2" SPARE | | |
| 35Vq | 8" SPARE | | |

REV.	DATE	BY	CHK	APP	REVISION DESCRIPTION
1	07/14/09	RB	RB	OF	ADD RELIEF VALVE
0	01/19/09	WK	RB	GB	APPROVED
A	01/07/09	WK	GB		ISSUED FOR REVIEW

KIRBY INLAND MARINE

**PRESSURE BARGE - VAPOR
PIPING FLOW DIAGRAM**

SCALE: NONE	KIRBY 16811	REV. 1
PAGE: 2 OF 2		