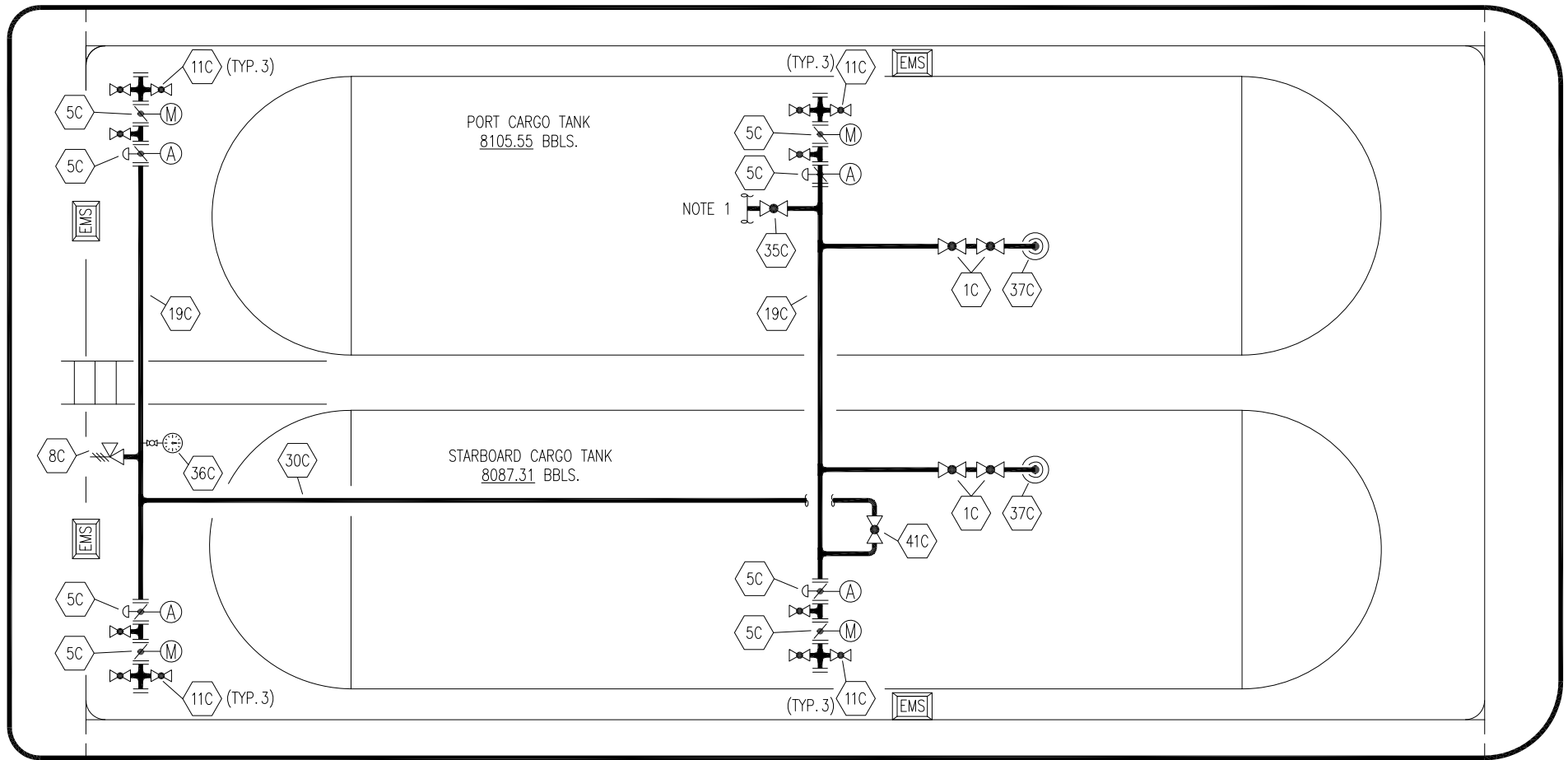


PORT



STERN

BOW



NOTE 1

STARBOARD

- | NO  | DESCRIPTION  |
|---|--|
| 1C  | CARGO TANK VALVE   |
| 5C  | HEADER VALVE   |
| 8C  | RELIEF VALVE   |
| 11C   | BLEED OFF VALVE  |
| 19C   | CARGO HEADER   |
| 30C   | CARGO PIPELINE   |
| 35C   | CROSSOVER VALVE  |
| 36C   | PRESSURE GAUGE   |
| 37C   | CARGO DROP  |
| 41C   | BLOCK VALVE  |
|  | ABOVE DECK PIPING  |

NOTE 1: CONTINUED ON VAPOR DWG.

TRINITY MARINE – EX: HW CHEM 166

REV.	DATE	BY	CHK	APP	REVISION DESCRIPTION
1	05/23/22	MRV	DDA	DR	REVISED PER CLIENT COMMENTS
0	10/19/09	LT	RB	OF	APPROVED

KIRBY INLAND MARINE 

**CARGO  
PIPING FLOW DIAGRAM**

SCALE: NONE  
PAGE: 1 OF 2

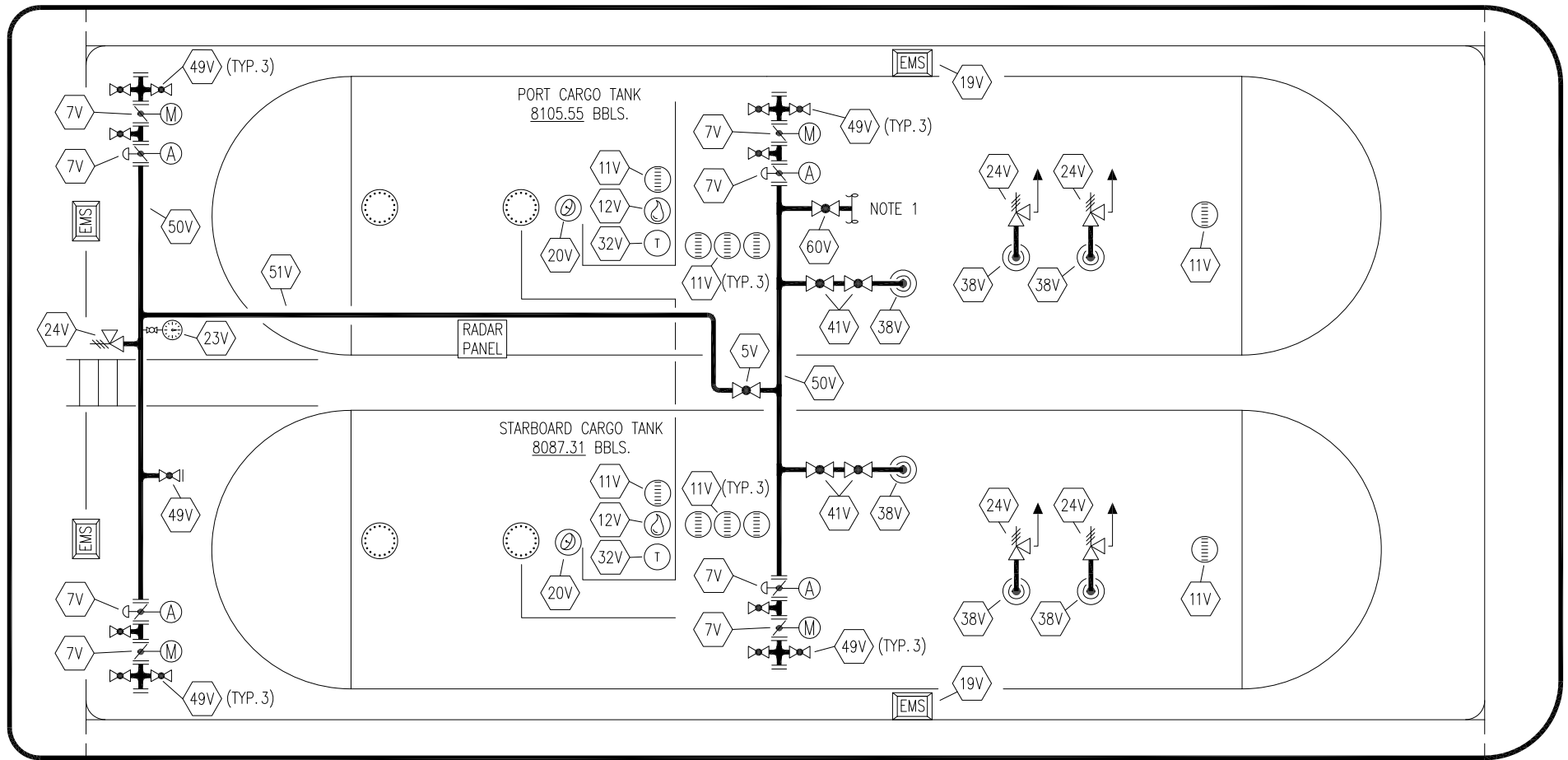
**KIRBY 16805**

REV. **1**

PORT

STERN

BOW



STARBOARD

NO	DESCRIPTION
5V	BLOCK VALVE
7V	HEADER VALVE
11V	GAUGE STICK
12V	HERMETIC SAMPLE
19V	EMERGENCY SHUT DOWN
20V	CALIBRATED RADAR GAUGING
23V	PRESSURE GAUGE
24V	PRESSURE RELIEF VALVE/STACK
32V	TEMPERATURE GAUGE

NO	DESCRIPTION
38V	VAPOR DROP OR PENETRATION
41V	VAPOR TANK VALVE
49V	BLEED VALVE
50V	VAPOR HEADER
51V	VAPOR PIPELINE
60V	CROSSOVER VALVE
—	ABOVE DECK PIPING

NOTE 1: CONTINUED ON CARGO DWG.

TRINITY MARINE – EX: HW CHEM 166

REV.	DATE	BY	CHK	APP	REVISION DESCRIPTION
1	05/23/22	MRV	DDA	DR	REVISED PER CLIENT COMMENTS
0	10/19/09	LT	RB	OF	APPROVED

KIRBY INLAND MARINE 

**VAPOR  
PIPING FLOW DIAGRAM**

SCALE: NONE  
PAGE: 2 OF 2

**KIRBY 16805**

REV. **1**