

PORT

STERN

BOW

STARBOARD

- NO. 2C LOAD VALVE
  - NO. 3C MASTER SUCTION VALVE
  - NO. 4C DISCHARGE VALVE
  - NO. 5C HEADER VALVE
  - NO. 9C CHECK VALVE
  - NO. 19C CARGO HEADER
  - NO. 26C DRAIN VALVE
  - NO. 31C BYPASS VALVE
  - NO. 37C CARGO DROP
- ABOVE DECK PIPING  
 - - - BELOW DECK PIPING

NOTE 1: CONTAINMENT P/S

REV.	DATE	BY	CHK	APP	REVISION DESCRIPTION
1	12/12/14	DDA	DDA		REVISED PER CLIENT COMMENTS
0	10/25/13	DCB	DDA		FOR REVIEW

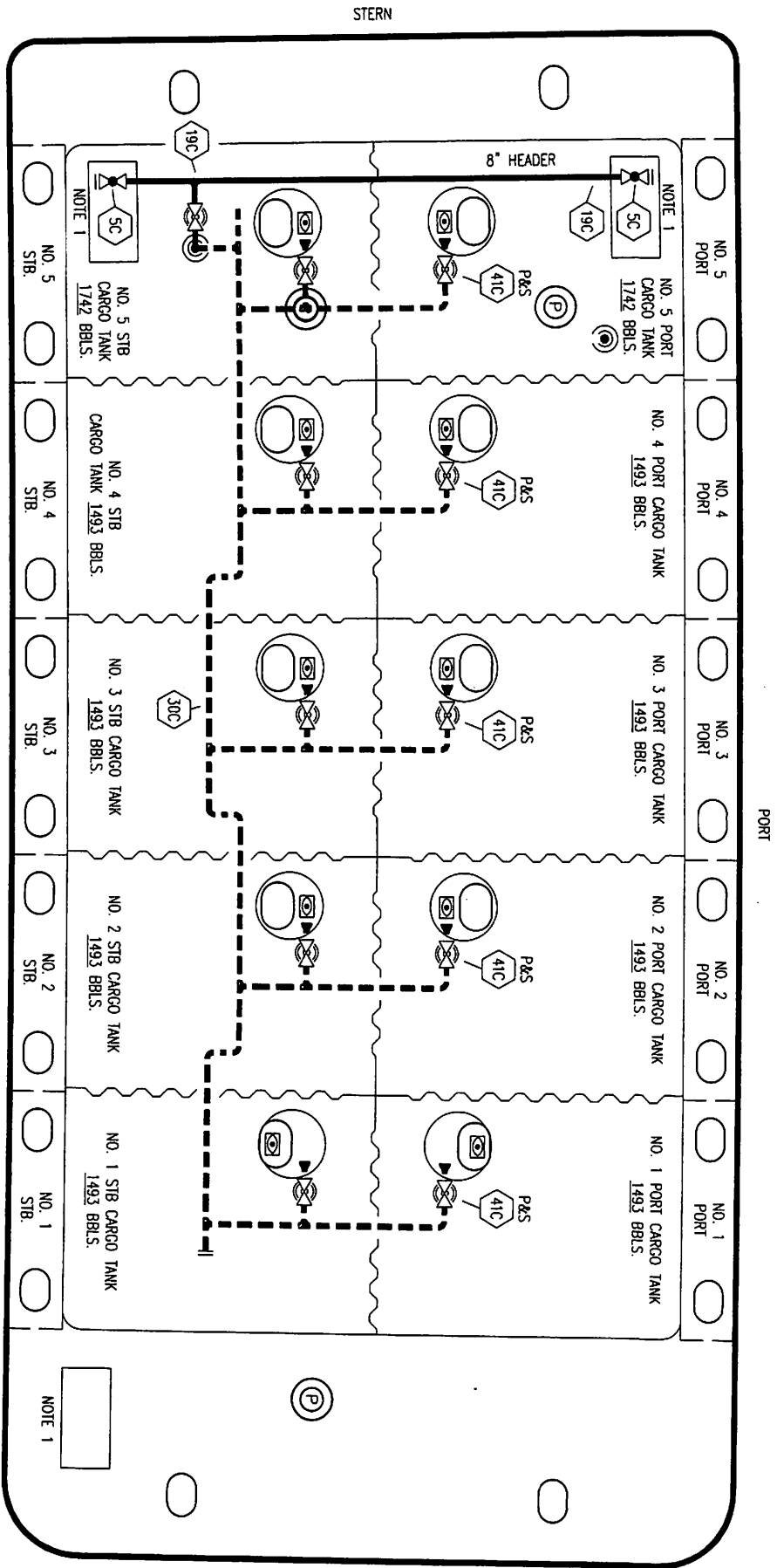
**KIRBY INLAND MARINE**

**ABOVE DECK CARGO PIPING FLOW DIAGRAM**

**KIRBY 15001D**

SCALE: NONE  
 PAGE: 1 OF 3  
 REV. 1

EX: 302



- NO. DESCRIPTION
- SC HEADER VALVE
  - 19C CARGO HEADER
  - 30C CARGO PIPELINE
  - 37C CARGO DROP
  - ABOVE DECK PIPING
  - - - BELOW DECK PIPING

NOTE 1: CONTAINMENT P/S

REV.	DATE	BY	CHK APP	REVISION DESCRIPTION
1	12/12/14	DDA	DDA	REVISED PER CLIENT COMMENTS
0	10/25/13	DCB	DDA	FOR REVIEW

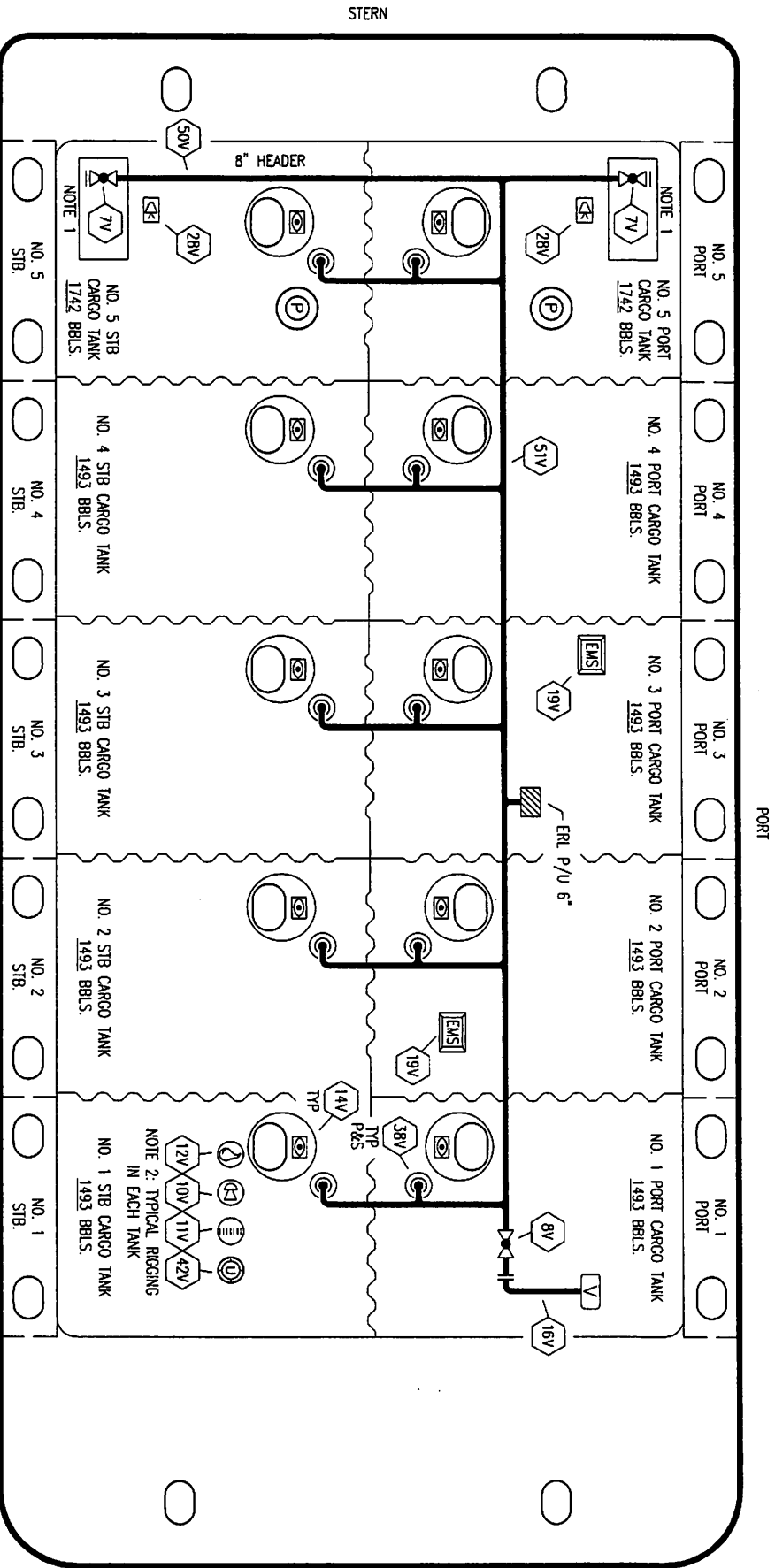
**KIRBY INLAND MARINE**

**BELOW DECK CARGO PIPING FLOW DIAGRAM**

**KIRBY 15001D**

SCALE: NONE  
PAGE: 2 OF 3  
REV. 1


EX: 302



- |         |                            |         |                   |
|---------|----------------------------|---------|-------------------|
| NO. 7V  | HEADER VALVE               | NO. 42V | ULLAGE HATCH      |
| NO. 8V  | VENT STACK VALVE           | NO. 50V | VAPOR HEADER      |
| NO. 10V | HIGH LEVEL/OVERFILL ALARM  | NO. 51V | VAPOR PIPELINE    |
| NO. 11V | GAUGE STICK                | ---     | ABOVE DECK PIPING |
| NO. 12V | HERMETIC SAMPLE            | - - -   | BELOW DECK PIPING |
| NO. 14V | SIGHT GLASS                |         |                   |
| NO. 16V | VAPOR VENT STACK           |         |                   |
| NO. 19V | EMERGENCY ENGINE SHUT DOWN |         |                   |
| NO. 28V | DOCK CONNECTION ALARM      |         |                   |
| NO. 38V | VAPOR DROP OR PENETRATION  |         |                   |

NOTE 1: CONTAINMENT P/S  
 NOTE 2: TYPICAL RIGGING IN EACH TANK

REV.	DATE	BY	CHK	APP	REVISION DESCRIPTION
1	12/12/14	DDA	DDA		REVISED PER CLIENT COMMENTS
0	10/25/13	DCB	DDA		FOR REVIEW



**KIRBY INLAND MARINE**

**VAPOR**

**PIPING FLOW DIAGRAM**

SCALE: NONE

PAGE: 3 OF 3

**KIRBY 15001D**

REV. 1