

MISENER SHIPYARD - EX: DC 540



KIRBY INLAND MARINE

CARGO

PIPING FLOW DIAGRAM

REV.	0	01/11/10	RB	OF	APPROVED	SCALE: NONE	REV.	0
			BY	CHK	APP	REVISION DESCRIPTION		
			DATE				PAGE: 1 OF 1	

NO	DESCRIPTION	NO	DESCRIPTION
2C	LOAD VALVE (BOTTOM FILL)	13C	CARGO PIPING BLOCK VALVE
2Ca	LOAD VALVE (SPRAY BAR)	16C	DISCHARGE PRESSURE GAUGE
3C	MASTER SUCTION VALVE	19C	CARGO HEADER
4C	DISCHARGE VALVE	30C	CARGO PIPELINE
5C	HEADER VALVE	36C	PRESSURE GAUGE
8C	RELIEF VALVE	37C	CARGO DROP
9C	CHECK VALVE	(A)	AUTOMATIC
10C	BURP VALVE	---	ABOVE DECK PIPING
11C	BLEED OFF VALVE	---	BELOW DECK PIPING
12C	BURP VALVE RETURN TO CARGO TANK		

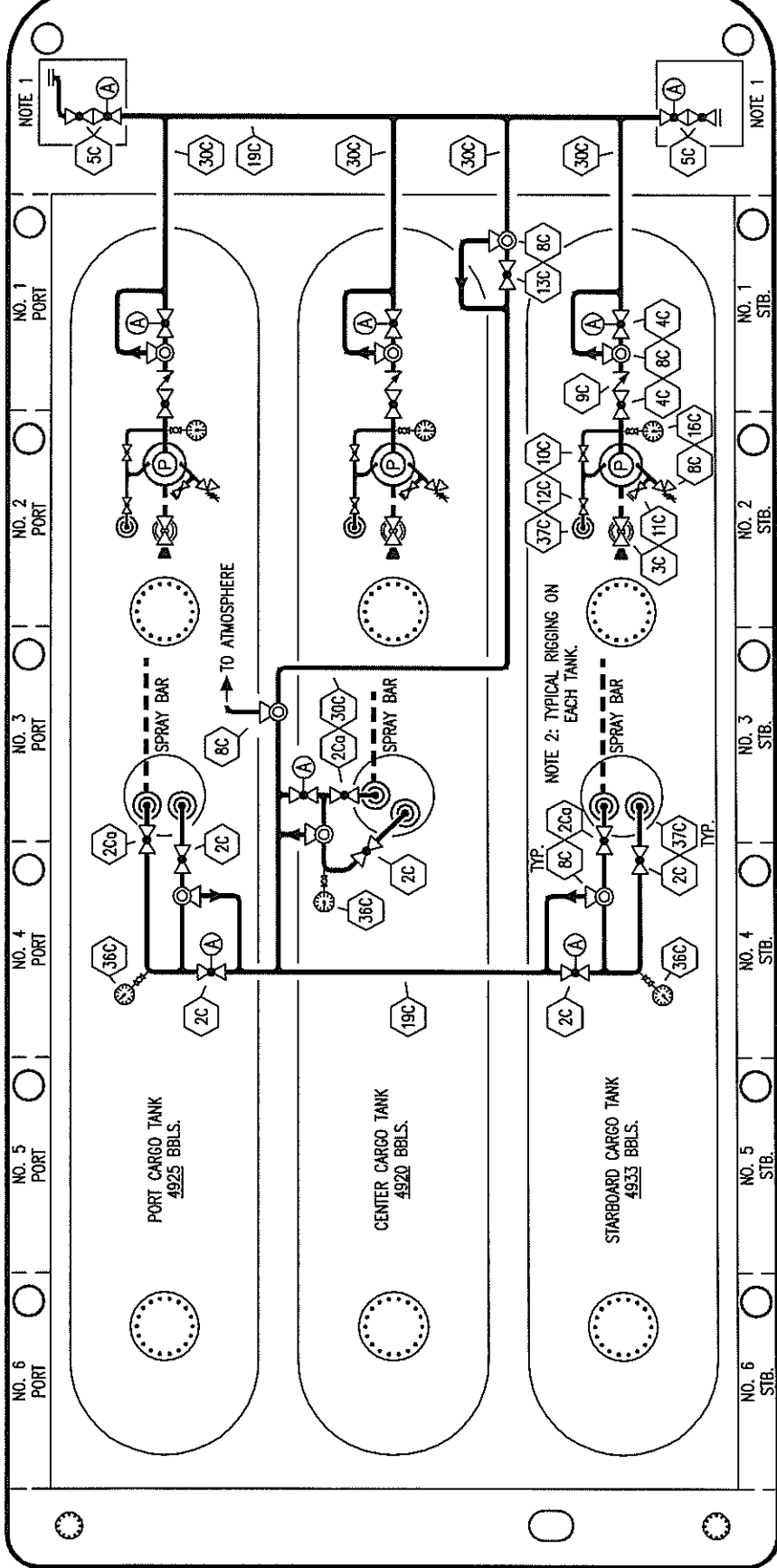
NOTE 1: CONTAINMENT P&S
NOTE 2: TYPICAL RIGGING ON EACH TANK

STARBOARD

BOW

STERN

PORT



NO. 6 PORT NO. 5 PORT NO. 4 PORT NO. 3 PORT NO. 2 PORT NO. 1 PORT

NO. 6 STB. NO. 5 STB. NO. 4 STB. NO. 3 STB. NO. 2 STB. NO. 1 STB.

NOTE 1: CONTAINMENT P&S
NOTE 2: TYPICAL RIGGING ON EACH TANK

TO ATMOSPHERE

PORT CARGO TANK 4925 BBLs.

CENTER CARGO TANK 4920 BBLs.

STARBOARD CARGO TANK 4933 BBLs.