

NO.	SIZE	DESCRIPTION	NO.	SIZE	DESCRIPTION
1C	8"	CARGO TANK VALVE	11C	1"	BLEED OFF VALVE
2C	8"	LOAD VALVE	12C	1"	BURP VALVE RETURN TO CARGO TANK
3C	10"	MASTER SUCTION VALVE	15C	2"	BYPASS VALVE (AROUND CHECK VALVE)
4C	8"	DISCHARGE VALVE	19C	8"	CARGO HEADER
5C	8"	HEADER VALVE	30C	10"	CARGO PIPELINE
6C	8"	SALVAGE VALVE	<div style="display: flex; align-items: center;"> <div style="width: 10px; border-bottom: 1px solid black; margin-right: 5px;"></div> ABOVE DECK PIPING </div>		
8C	6"	RELIEF VALVE	<div style="display: flex; align-items: center;"> <div style="width: 10px; border-bottom: 1px dashed black; margin-right: 5px;"></div> BELOW DECK PIPING </div>		
9Ca	8"	CHECK VALVE			
9Cb	1"	CHECK VALVE			

NO. 5	NO. 4	NO. 3	NO. 2	NO. 1
STB	STB AFT	STB FWD	STB AFT	STB
NO. 4 PORT AFT	NO. 4 PORT FWD	NO. 3 PORT AFT	NO. 2 PORT AFT	NO. 1 PORT
NO. 4 PORT FWD	NO. 3 PORT FWD	NO. 2 PORT FWD	NO. 1 PORT FWD	NO. 1 PORT

NOTE 1: CONTAINMENT-- PORT & STB.

JEFFBOAT

KIRBY INLAND MARINE

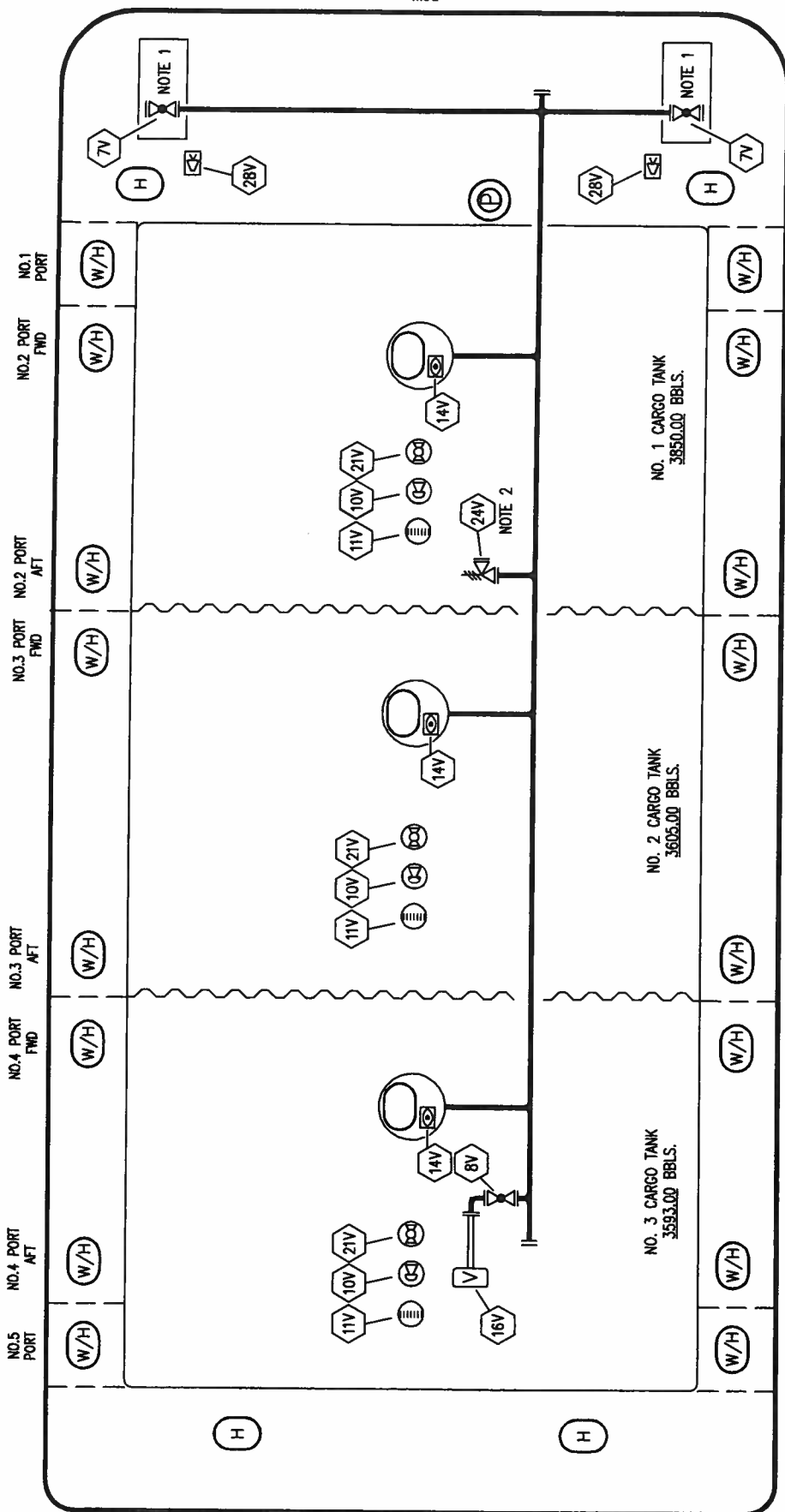
CARGO PIPING FLOW DIAGRAM

REV.	DATE	BY	CHK	APP	REVISION DESCRIPTION
0	01/19/09	RB	WK	OF	APPROVED

SCALE: NONE
PAGE: 1 OF 2
KIRBY 11516
REV. **0**

BOB

STERN



NO. 5 STB NO. 4 STB AFT NO. 4 STB FWD NO. 3 STB AFT NO. 3 STB FWD NO. 2 STB AFT NO. 2 STB FWD NO. 1 STB

NO	SIZE	DESCRIPTION
7V	8"	HEADER VALVE
8V	8"	VENT STACK VALVE
10V		HIGH LEVEL/OVERFILL ALARM
11V		GAUGE STICK
14V		SIGHT GLASS
16V	2"	VAPOR VENT STACK
21V	6"	HERMETIC GAUGE
24V		PRESSURE RELIEF VALVE
28V		HIGH LEVEL/OVERFILL ALARM
		DOCK CONNECTION

NOTE 1: CONTAINMENT- PORT & STB.
 NOTE 2: P.V. SET @ 3 PSI PRESSURE AND .5 PSI VACUUM

JEFFBOAT



KIRBY INLAND MARINE

VAPOR PIPING FLOW DIAGRAM

REV.	DATE	BY	CHK	APP	REVISION	DESCRIPTION
0	01/19/09	RB	WK	OF	APPROVED	

SCALE: NONE
 PAGE: 2 OF 2

KIRBY 11516

REV. 0