

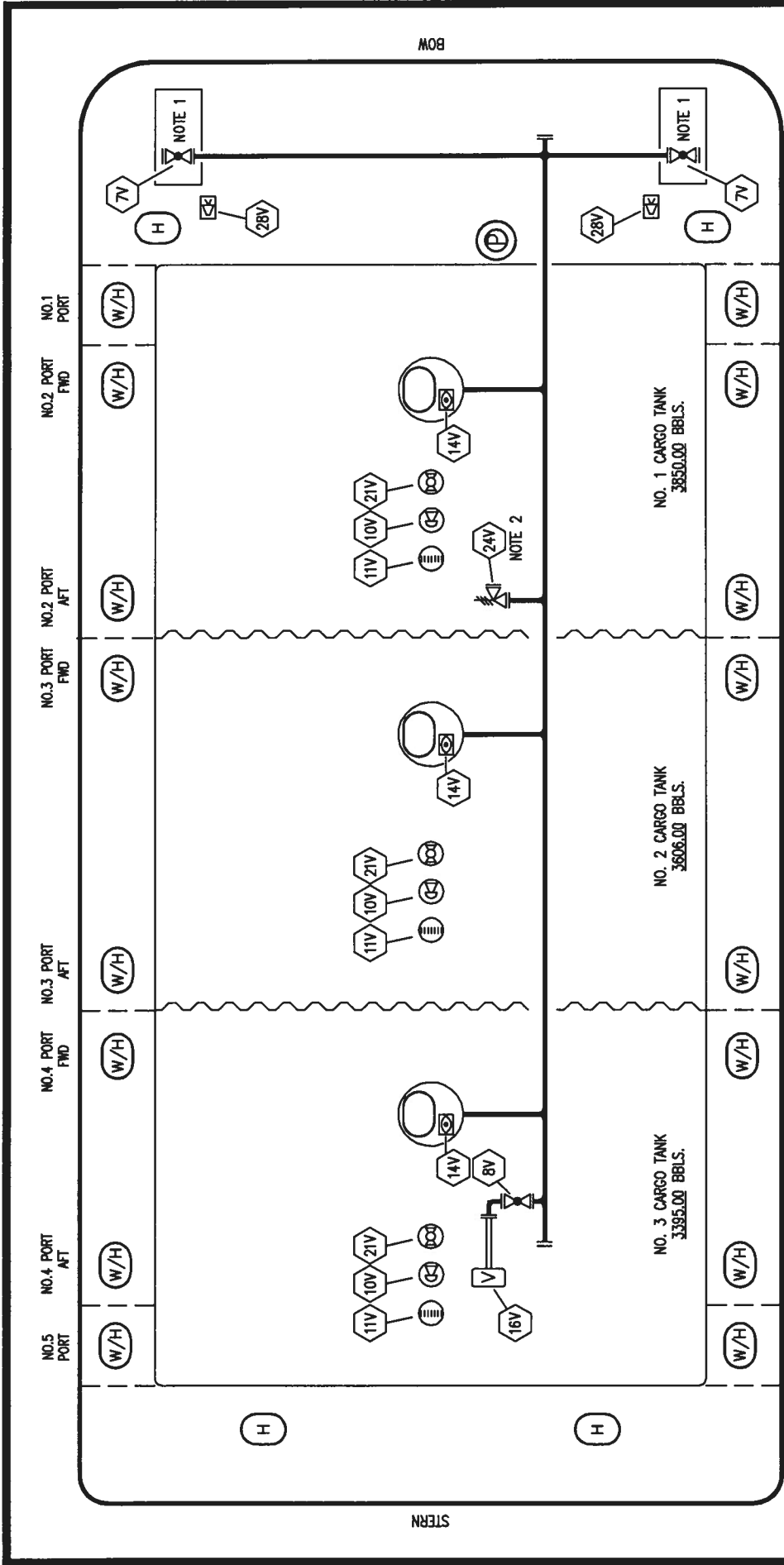
NO. 5 PORT NO. 4 PORT NO. 3 PORT NO. 2 PORT NO. 1 PORT  
 NO. 4 PORT FWD NO. 3 PORT FWD NO. 2 PORT FWD NO. 1 PORT FWD  
 NO. 4 PORT AFT NO. 3 PORT AFT NO. 2 PORT AFT NO. 1 PORT AFT

NO. 5 STB NO. 4 STB NO. 3 STB NO. 2 STB NO. 1 STB  
 NO. 4 PORT FWD NO. 3 PORT FWD NO. 2 PORT FWD NO. 1 PORT FWD  
 NO. 4 PORT AFT NO. 3 PORT AFT NO. 2 PORT AFT NO. 1 PORT AFT

NO.	SIZE	DESCRIPTION
11C	1"	BLEED OFF VALVE
12C	1"	BUJRP VALVE RETURN TO CARGO TANK
15C	2"	BYPASS VALVE (AROUND CHECK VALVE)
19C	8"	CARGO HEADER
30C	10"	CARGO PIPELINE
		ABOVE DECK PIPING
		BELOW DECK PIPING

NO.	SIZE	DESCRIPTION
1C	8"	CARGO TANK VALVE
2C	8"	LOAD VALVE
3C	10"	MASTER SUCTION VALVE
4C	8"	DISCHARGE VALVE
5C	8"	HEADER VALVE
6C	8"	SALVAGE VALVE
8C	6"	RELIEF VALVE
9C	8"	CHECK VALVE
9Cb	1"	CHECK VALVE

REV.	DATE	BY	CHK/APP	REVISION DESCRIPTION
0	01/19/09	RB	WK OF	APPROVED



NO. 5 PORT STB NO. 4 PORT STB NO. 3 PORT STB NO. 2 PORT STB NO. 1 PORT STB

NO. 1 CARGO TANK 3850.00 BBLs.

NO. 2 CARGO TANK 3606.00 BBLs.

NO. 3 CARGO TANK 3395.00 BBLs.

NOTE 1: CONTAINMENT- PORT & STB.

NOTE 2: P.V. SET @ 3 PSI PRESSURE AND .5 PSI VACUUM

JEFFBOAT

NO.	SIZE	DESCRIPTION
7V	8"	HEADER VALVE
8V	8"	VENT STACK VALVE
10V		HIGH LEVEL/OVERFILL ALARM
11V		GAUGE STICK
14V		SIGHT GLASS
16V		VAPOR VENT STACK
21V	2"	HERMETIC GAUGE
24V	6"	PRESSURE RELIEF VALVE
28V		HIGH LEVEL/OVERFILL ALARM DOCK CONNECTION

REV.	DATE	BY	CHK/APP	REVISION DESCRIPTION
0	01/19/08	RB	WK	OF APPROVED