

NOTE 1: CONTAINMENT- PORT & STB.

| NO | SIZE | DESCRIPTION |
|-----|------|-----------------------------------|
| 11C | 1" | BLEED OFF VALVE |
| 12C | 1" | BURP VALVE RETURN TO CARGO TANK |
| 15C | 2" | BYPASS VALVE (AROUND CHECK VALVE) |
| 19C | 8" | CARGO HEADER |
| 30C | 10" | CARGO PIPELINE |
| 1C | 8" | CARGO TANK VALVE |
| 2C | 8" | DISCHARGE VALVE |
| 3C | 10" | MASTER SUCTION VALVE |
| 4C | 8" | LOAD VALVE |
| 5C | 8" | HEADER VALVE |
| 6C | 8" | SALVAGE VALVE |
| 8C | 6" | RELIEF VALVE |
| 9Cb | 8" | CHECK VALVE |
| 9Cc | 1" | CHECK VALVE |

JEFFBOAT



KIRBY INLAND MARINE

CARGO

PIPING FLOW DIAGRAM

| REV | DATE | BY | CHK APP | REVISION DESCRIPTION |
|-----|----------|-----|---------|-----------------------------|
| 1 | 05/19/17 | WFB | DDA | REVISED PER CLIENT COMMENTS |
| 0 | 01/19/09 | RB | WK | OF APPROVED |

SCALE: NONE
PAGE: 1 OF 2

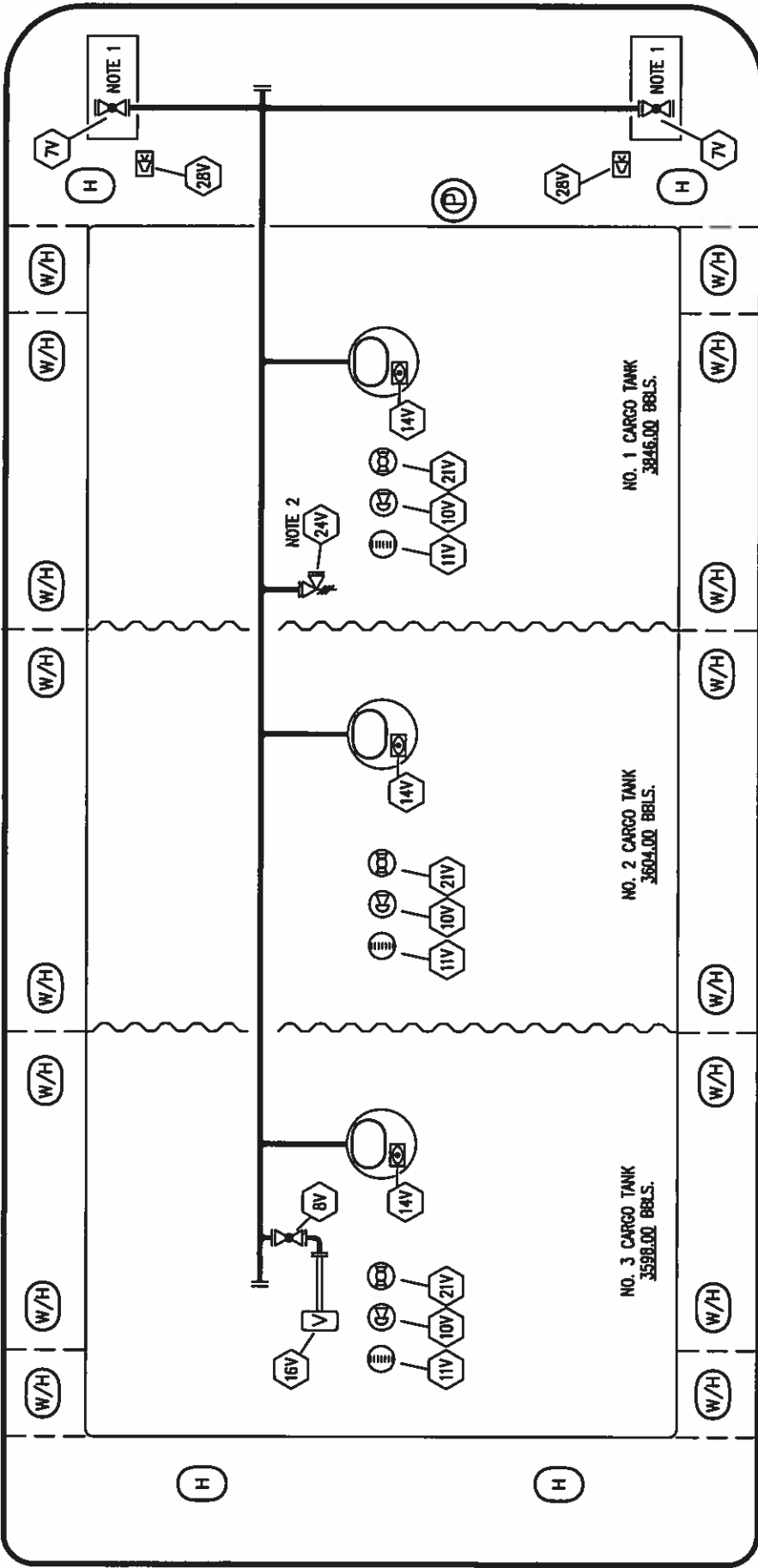
KIRBY 11312

REV. 1

BOB

STERN

NO.5 PORT NO.4 PORT NO.3 PORT NO.2 PORT NO.1 PORT
AFT FWD AFT FWD AFT FWD AFT FWD AFT FWD



JEFFBOAT



KIRBY INLAND MARINE

VAPOR

PIPING FLOW DIAGRAM

REV. 1

KIRBY 11312

NOTE 1: CONTAINMENT- PORT & STB.
NOTE 2: P.V. SET @ 3 PSI PRESSURE AND .5 PSI VACUUM

NO. 5 NO. 4 NO. 3 NO. 2 NO. 1
STB STB STB STB STB
AFT FWD AFT FWD AFT FWD AFT FWD AFT FWD

- NO. SIZE DESCRIPTION
- 7V 8" HEADER VALVE
 - 8V 8" VENT STACK VALVE
 - 10V HIGH LEVEL/OVERFILL ALARM
 - 11V GAUGE STICK
 - 14V SIGHT GLASS
 - 16V VAPOR VENT STACK
 - 21V HERMETIC GAUGE
 - 24V PRESSURE RELIEF VALVE
 - 28V HIGH LEVEL/OVERFILL ALARM DOCK CONNECTION

| REV. | DATE | BY | CHK/APP | REVISION DESCRIPTION |
|------|----------|-----|---------|-----------------------------|
| 1 | 05/19/17 | WFB | DDA | REVISED PER CLIENT COMMENTS |
| 0 | 01/19/09 | RB | WK | OF APPROVED |

SCALE: NONE
PAGE: 2 OF 2