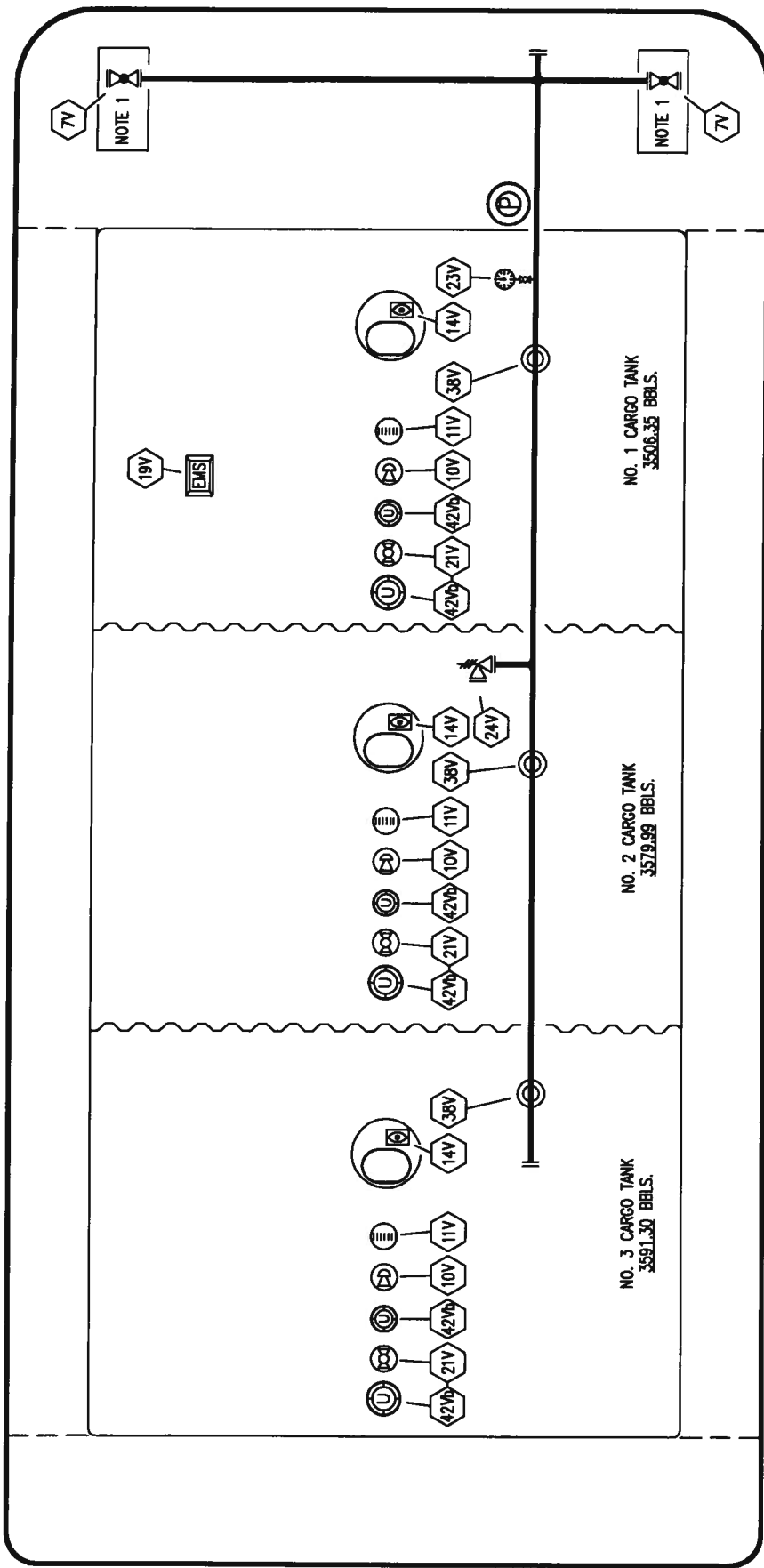


PORT

BOB



STERN

STARBOARD

NOTE 1: CONTAINMENT- PORT & STB.

NO. SIZE DESCRIPTION

- 7V 8" HEADER VALVE
- 10V 8" HIGH LEVEL/OVERFILL ALARM
- 11V 1 METER GAUGE STICK
- 14V SIGHT GLASS
- 19V EMERGENCY SHUTDOWN SYSTEM
- 21V HERMETIC GAUGE
- 23V PRESSURE GAUGE
- 24V PRESSURE RELIEF VALVE
- 38V VAPOR DROP
- 42Vb 6" ULLAGE
- 42Vb 8" ULLAGE

JEFFBOAT - EX: S/R 113



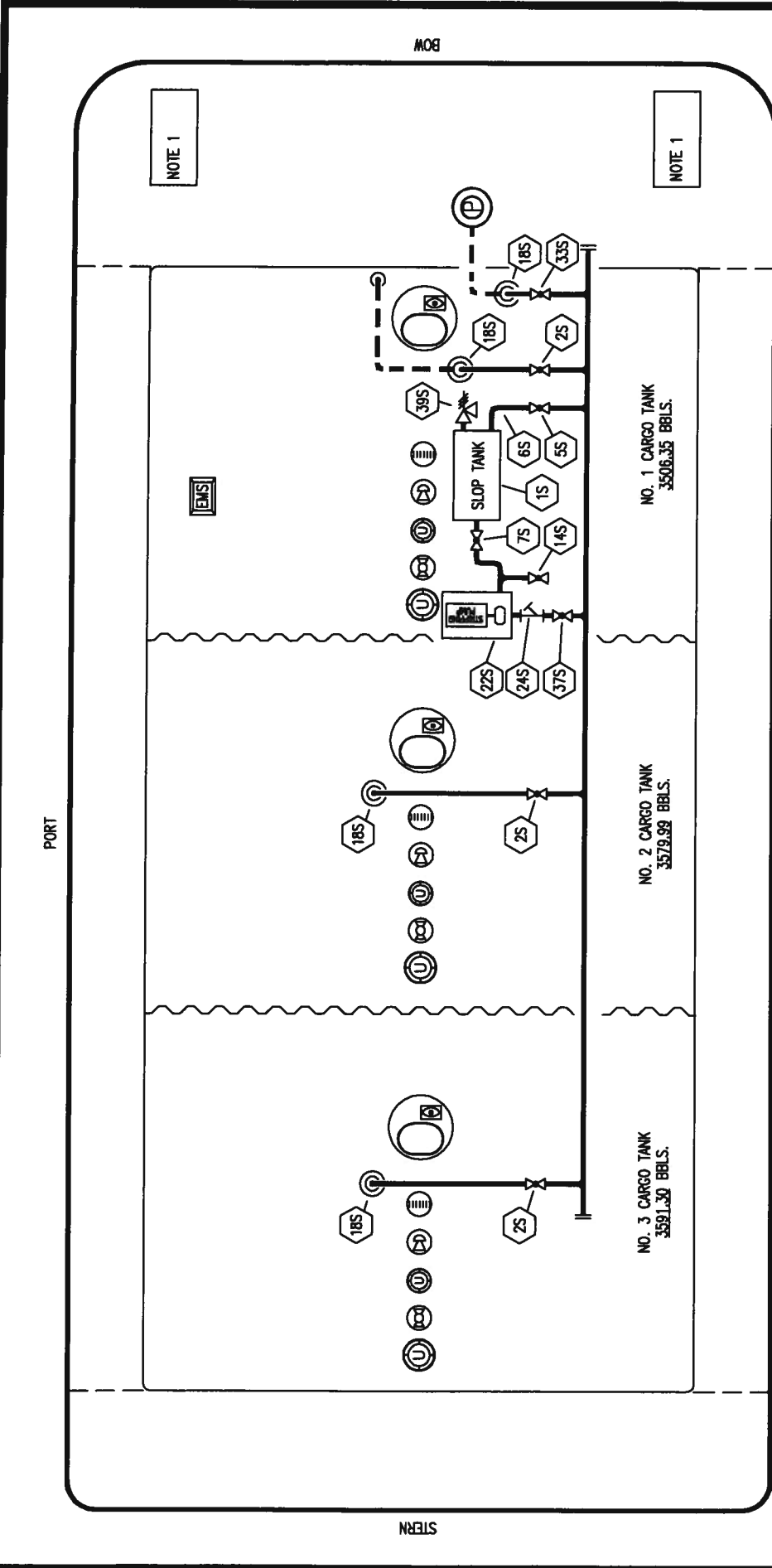
KIRBY INLAND MARINE

VAPOR PIPING FLOW DIAGRAM

REV.	DATE	BY	CHK/APP	REVISION DESCRIPTION
0	02/02/09	RB	WK OF	APPROVED

SCALE: NONE
PAGE: 2 OF 3
REV. 0

KIRBY 10561



STARBOARD

NOTE 1: CONTAINMENT- PORT & STB.

JEFFBOAT - EX: S/R 113



**STRIPPING
PIPING FLOW DIAGRAM**

NO	SIZE	DESCRIPTION	NO	SIZE	DESCRIPTION
1S		SLOP TANK	33S		PUMP WELL SUCTION
2S		CARGO TANK VALVE	37S		BLOCK VALVE
5S		SLOP TANK SUCTION VALVE	39S	2 1/2"	P/V VALVE
6S		SLOP TANK FILL PIPING	—		ABOVE DECK PIPING
7S		SLOP TANK VALVE (DISCH.)	---		BELOW DECK PIPING
14S		VALVE OVERBOARD DISCHARGE			
18S		STRIPPING DROP			
22S		STRIPPING PUMP			
24S		STRAINER			

REV.	DATE	BY	CHK/APP	WK	OF	APPROVED	REVISION DESCRIPTION
0	02/02/09	RB					

SCALE: NONE
PAGE: 3 OF 3

REV. **0**
KIRBY 10561