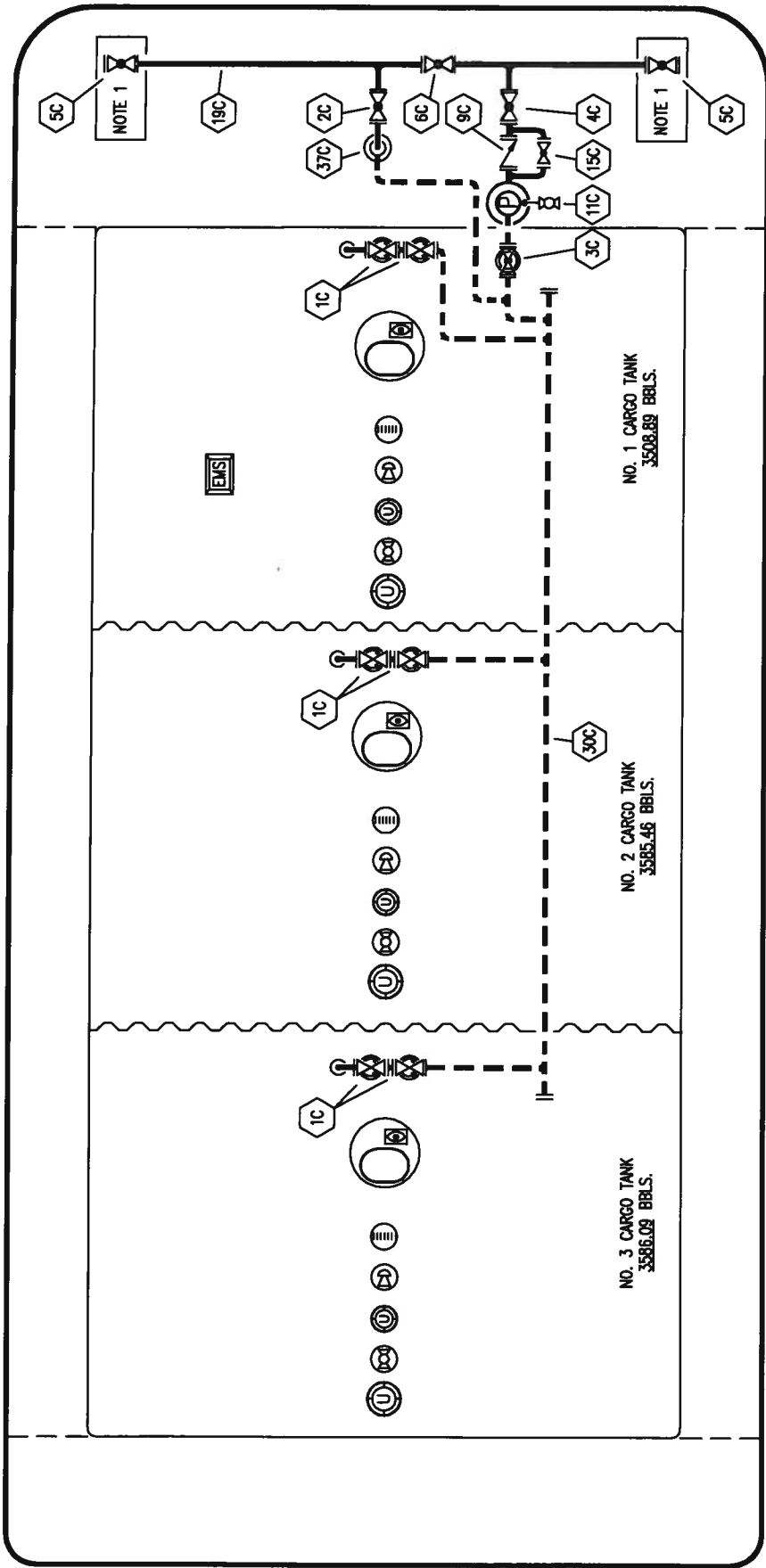


PORT

STERN

BOW



STARBOARD

JEFFBOAT - EX: S/R 111

NOTE 1: CONTAINMENT- PORT & STB.



KIRBY INLAND MARINE

CARGO

PIPING FLOW DIAGRAM

REV.	DATE	BY	CHK	APP	REVISION	DESCRIPTION
0	02/02/09	RB	WK	OF	APPROVED	

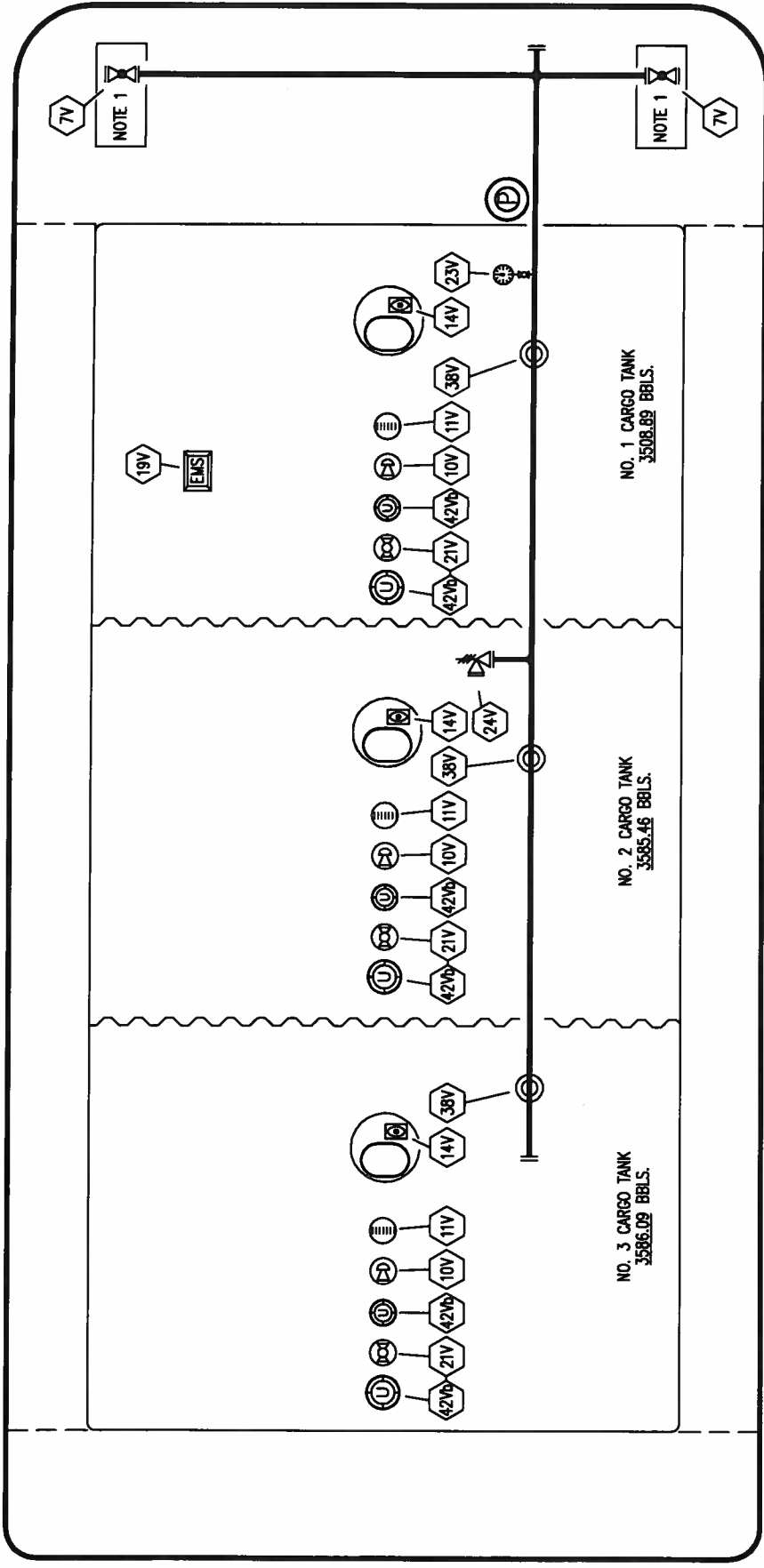
SCALE:	NONE
PAGE:	1 OF 3

REV. 0
KIRBY 10559

NO	SIZE	DESCRIPTION	NO	SIZE	DESCRIPTION
1C	8"	CARGO TANK VALVE	30C	10"	CARGO PIPELINE
2C	8"	LOAD VALVE	37C	8"	CARGO DROP
3C	10"	MASTER SUCTION VALVE	---	---	ABOVE DECK PIPING
4C	6"	DISCHARGE VALVE	---	---	BELOW DECK PIPING
5C	8"	HEADER VALVE			
6C	8"	SALVAGE VALVE			
9C	6"	CHECK VALVE			
11C	1"	BLEED OFF VALVE (VENT)			
15C	1"	BYPASS VALVE (AROUND CHECK VALVE)			
19C	8"	CARGO HEADER			

PORT

NO. 1



STERN

STARBOARD

NOTE 1: CONTAINMENT - PORT & STB.

JEFFBOAT - EX: S/R 111



KIRBY INLAND MARINE

VAPOR

PIPING FLOW DIAGRAM

REV. 0

KIRBY 10559

SCALE: NONE
PAGE: 2 OF 3

NO. SIZE DESCRIPTION

- 7V 8" HEADER VALVE
- 10V 8" HIGH LEVEL/OVERFILL ALARM
- 11V 1 METER GAUGE STICK
- 14V SIGHT GLASS
- 19V EMERGENCY SHUTDOWN SYSTEM
- 21V HERMETIC GAUGE
- 23V PRESSURE GAUGE
- 24V PRESSURE RELIEF VALVE
- 38V VAPOR DROP
- 42V 6" ULLAGE
- 42V 8" ULLAGE

ABOVE DECK PIPING

REV.	DATE	BY	CHK	APP	REVISION DESCRIPTION
0	02/02/09	RB	WK	OF	APPROVED

NO. 1 CARGO TANK
3508.89 BBLs.

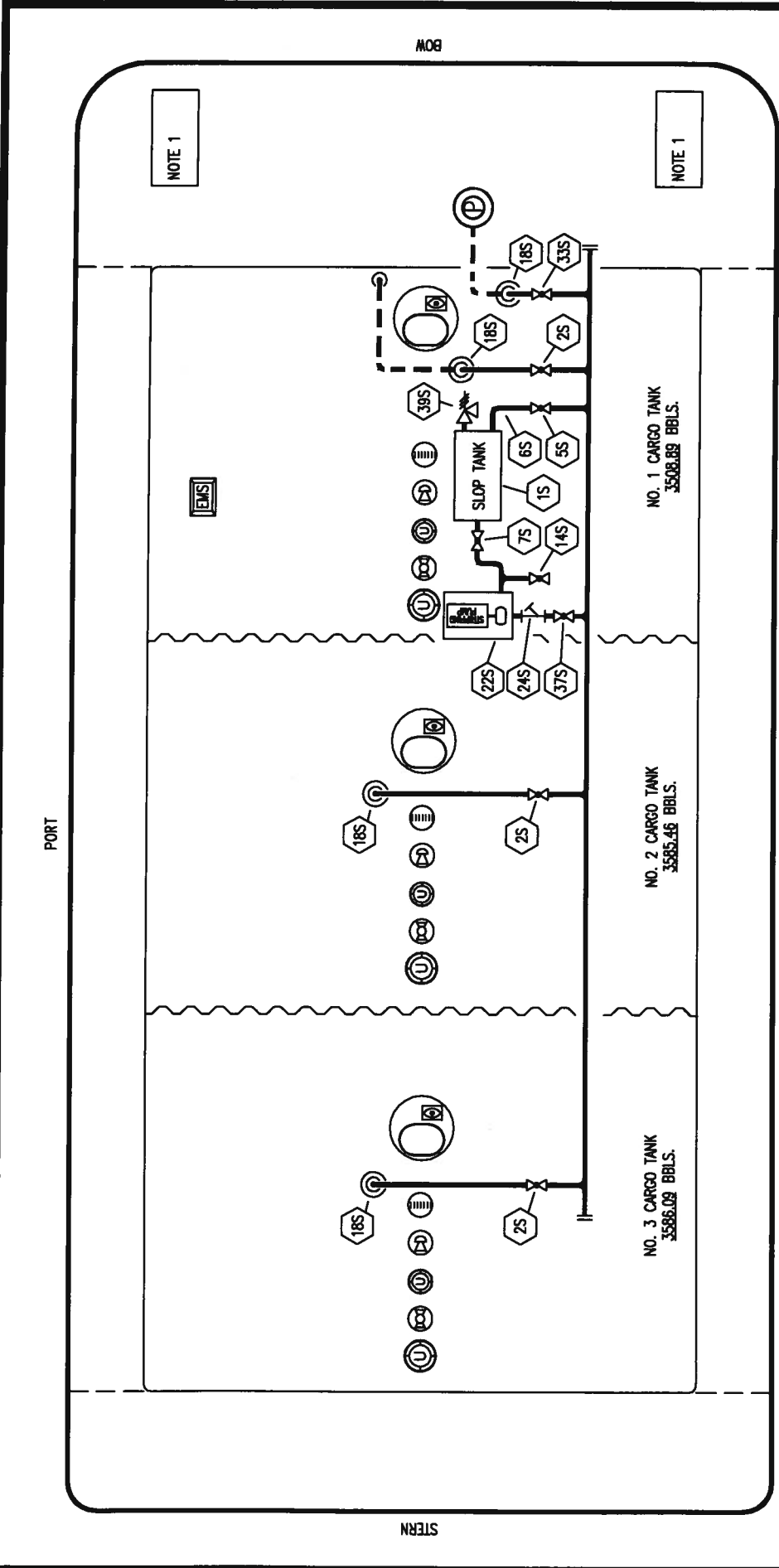
NO. 2 CARGO TANK
3585.46 BBLs.

NO. 3 CARGO TANK
3586.09 BBLs.

19V
EMIS

NOTE 1

NOTE 1



NOTE 1: CONTAINMENT- PORT & STB.

JEFFBOAT - EX: S/R 111



STRIPPING PIPING FLOW DIAGRAM

REV.	DATE	BY	CHK	APP	REVISION DESCRIPTION	SCALE:	NONE	PAGE:	3 OF 3	REV.
0	02/02/089	RB	WK	OF	APPROVED					0

- | | | | | | |
|-----------|-------------|---------------------------|-----------|-------------|--------------------|
| NO | SIZE | DESCRIPTION | NO | SIZE | DESCRIPTION |
| 1S | | SLOP TANK | 33S | | PUMP WELL SUCTION |
| 2S | | CARGO TANK VALVE | 37S | | BLOCK VALVE |
| 5S | | SLOP TANK SUCTION VALVE | 39S | 2 1/2" | P/V VALVE |
| 6S | | SLOP TANK FILL PIPING | --- | | ABOVE DECK PIPING |
| 7S | | SLOP TANK VALVE (DISCH.) | --- | | BELOW DECK PIPING |
| 14S | | VALVE OVERBOARD DISCHARGE | | | |
| 18S | | STRIPPING DROP | | | |
| 22S | | STRIPPING PUMP | | | |
| 24S | | STRAINER | | | |

KIRBY INLAND MARINE