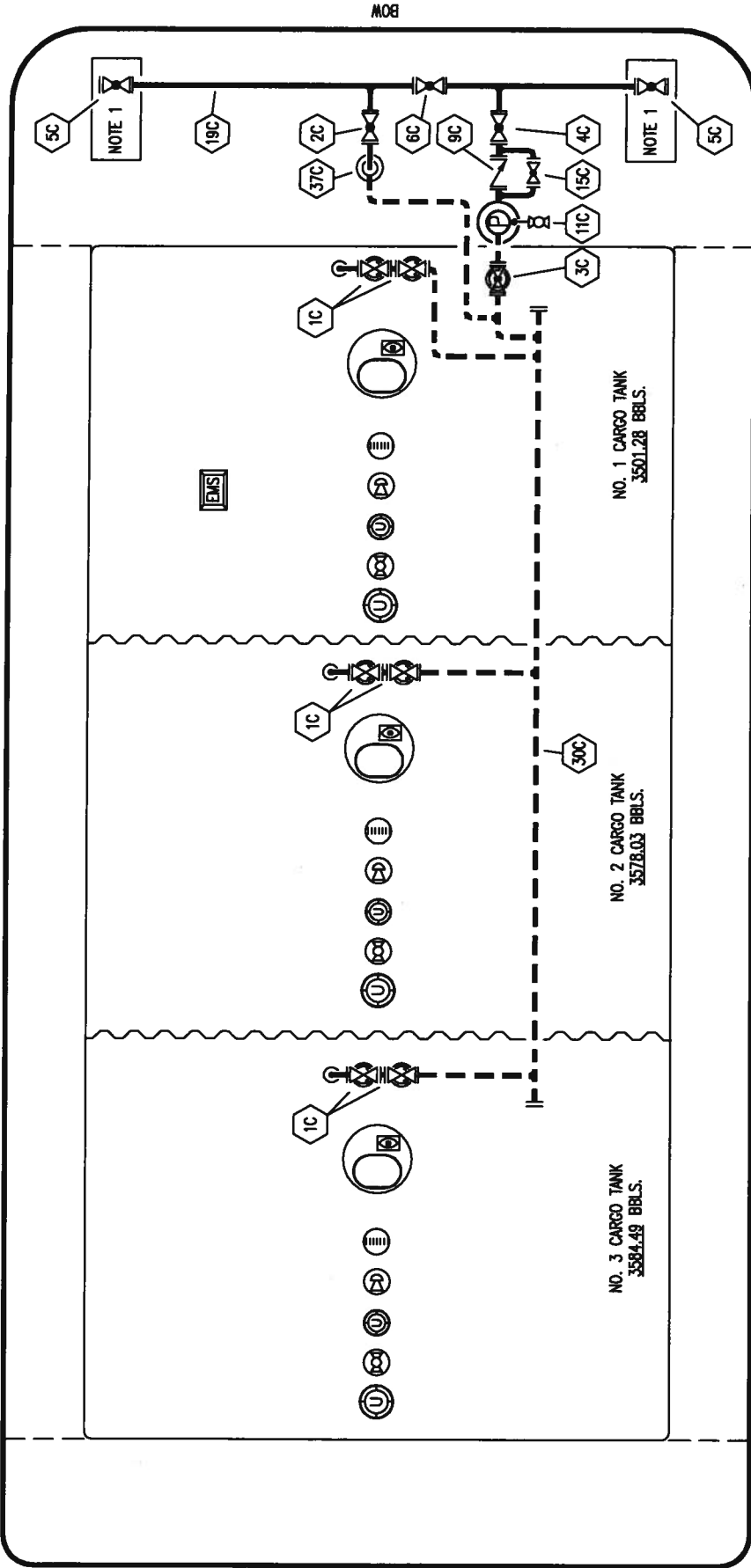


PORT

STERN



STARBOARD

NOTE 1: CONTAINMENT- PORT & STB.

JEFFBOAT - EX: S/R 109



KIRBY INLAND MARINE

CARGO

PIPING FLOW DIAGRAM

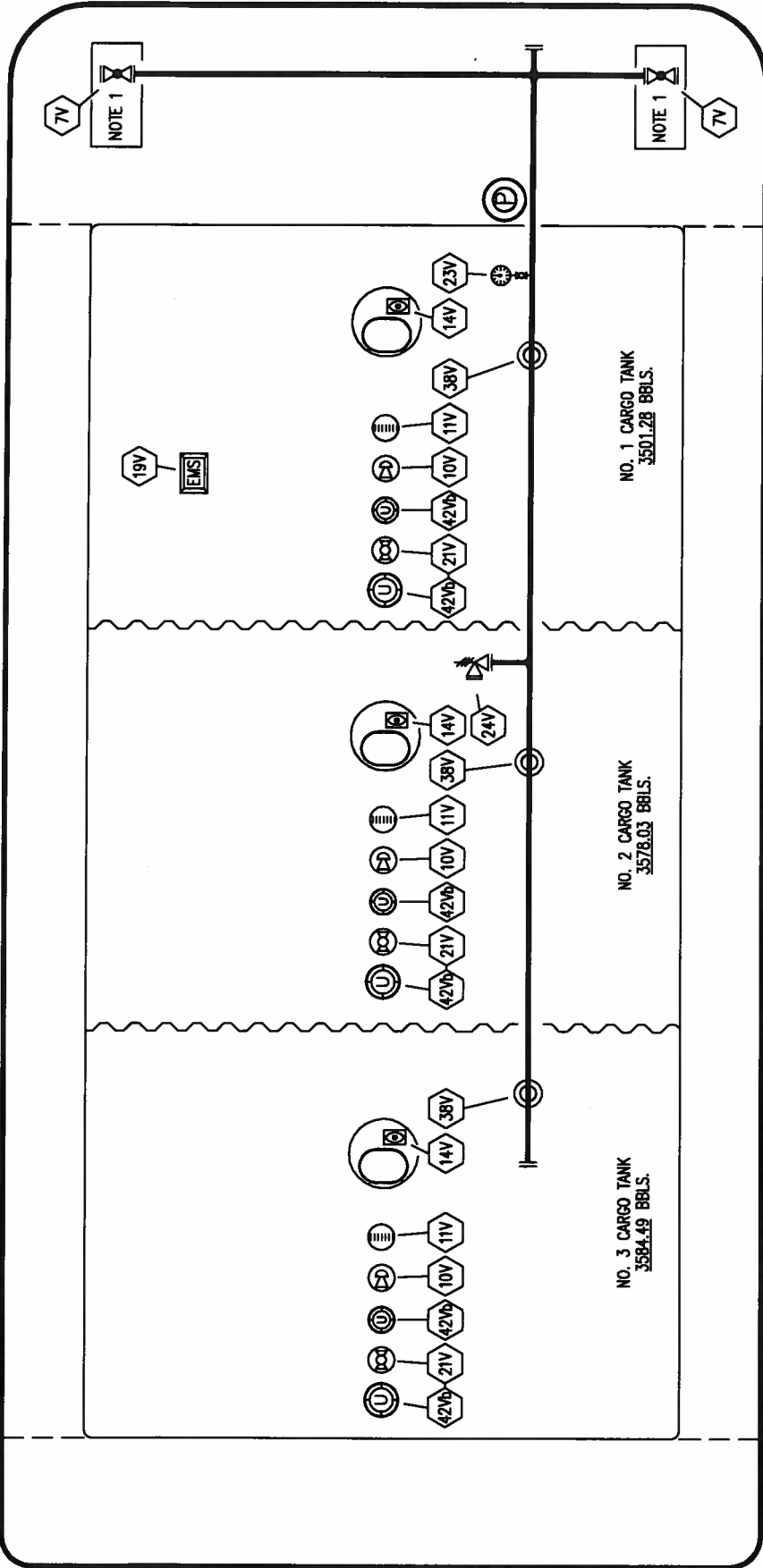
REV	DATE	BY	CHK	APP	REVISION DESCRIPTION
0	02/02/09	RB	WK	OF	APPROVED

NO	SIZE	DESCRIPTION
1C	8"	CARGO TANK VALVE
2C	8"	LOAD VALVE
3C	10"	MASTER SUCTION VALVE
4C	6"	DISCHARGE VALVE
5C	8"	HEADER VALVE
6C	8"	SALVAGE VALVE
9C	6"	CHECK VALVE
11C	1"	BLEED OFF VALVE (VENT)
15C	1"	BYPASS VALVE (AROUND CHECK VALVE)
19C	8"	CARGO HEADER
30C	10"	CARGO PIPELINE
37C	8"	CARGO DROP
---	---	ABOVE DECK PIPING
---	---	BELOW DECK PIPING

PORT

BOW

STERN



STARBOARD

NOTE 1: CONTAINMENT- PORT & STB.

JEFFBOAT - EX: S/R 109



KIRBY INLAND MARINE

VAPOR

PIPING FLOW DIAGRAM

SCALE: NONE
PAGE: 2 OF 3
REV. 0
KIRBY 10557

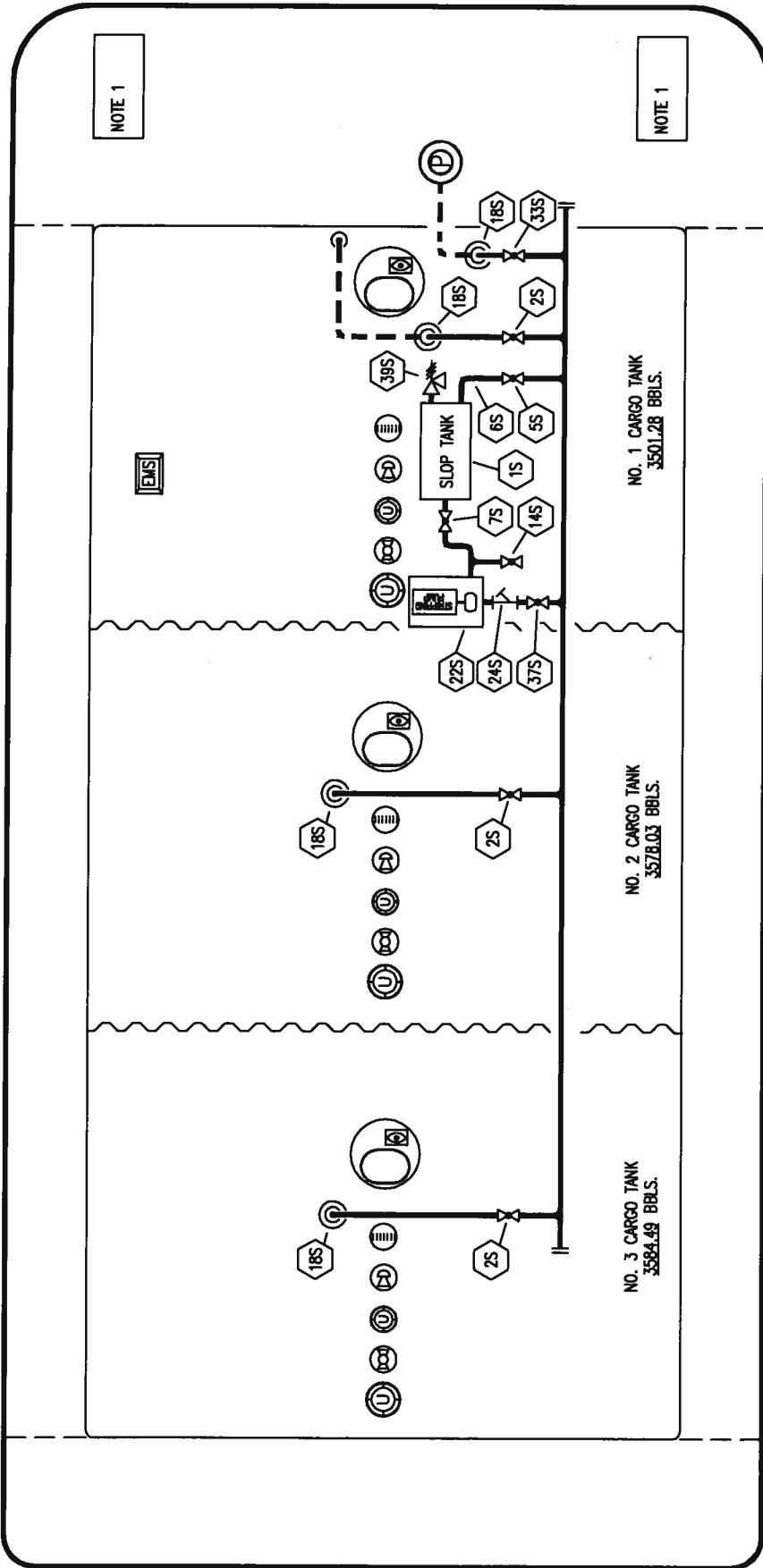
NO	SIZE	DESCRIPTION	REV.	DATE	BY	CHK	APP	REVISION	DESCRIPTION
0				02/02/09	RB	WK	OF	APPROVED	

- 7V HEADER VALVE
- 10V HIGH LEVEL/OVERFILL ALARM
- 11V 1 METER GAUGE STICK
- 14V SIGHT GLASS
- 19V EMERGENCY SHUTDOWN SYSTEM
- 21V HERMETIC GAUGE
- 23V PRESSURE GAUGE
- 24V PRESSURE RELIEF VALVE
- 38V VAPOR DROP
- 42V ULLAGE
- 42V ULLAGE

ABOVE DECK PIPING

PORT

BOW



STARBOARD

NOTE 1: CONTAINMENT- PORT & STB.

JEFFBOAT - EX: S/R 109



KIRBY INLAND MARINE

**STRIPPING
PIPING FLOW DIAGRAM**

REV.	DATE	BY	CHK	APP	WB	OF	APPROVED	REVISION DESCRIPTION
0	02/02/089	RB						

SCALE: NONE
PAGE: 3 OF 3

REV. **0**

KIRBY 10557

- | | | | | | |
|-----------|-------------|---------------------------|-----------|-------------|--------------------|
| NO | SIZE | DESCRIPTION | NO | SIZE | DESCRIPTION |
| 1S | | SLOP TANK | 33S | | PUMP WELL SUCTION |
| 2S | | CARGO TANK VALVE | 37S | | BLOCK VALVE |
| 5S | | SLOP TANK SUCTION VALVE | 39S | 2 1/2" | P/V VALVE |
| 6S | | SLOP TANK FILL PIPING | — | | ABOVE DECK PIPING |
| 7S | | SLOP TANK VALVE (DISCH.) | --- | | BELOW DECK PIPING |
| 14S | | VALVE OVERBOARD DISCHARGE | | | |
| 18S | | STRIPPING DROP | | | |
| 22S | | STRIPPING PUMP | | | |
| 24S | | STRAINER | | | |