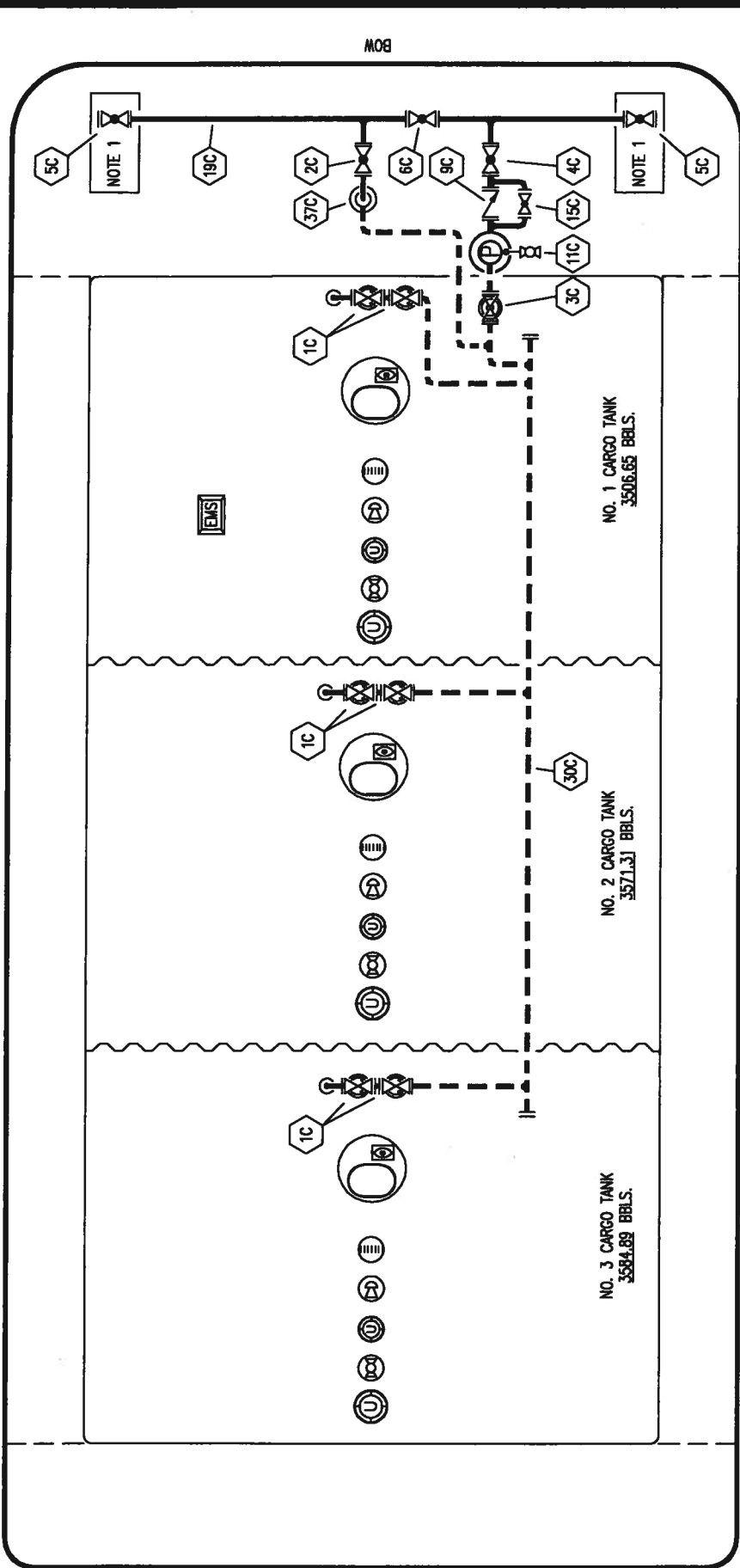


PORT



STERN

BOW

NO. 1 CARGO TANK
3500.65 BBLs.

NO. 2 CARGO TANK
3571.31 BBLs.


NO. 3 CARGO TANK
3584.89 BBLs.

NOTE 1: CONTAINMENT- PORT & STB.

JEFFBOAT - EX: S/R 1116

STARBOARD

NO.	SIZE	DESCRIPTION	NO.	SIZE	DESCRIPTION
1C	8"	CARGO TANK VALVE	30C	10"	CARGO PIPELINE
2C	8"	LOAD VALVE	37C	8"	CARGO DROP
3C	10"	MASTER SUCTION VALVE	---	---	ABOVE DECK PIPING
4C	6"	DISCHARGE VALVE	---	---	BELOW DECK PIPING
5C	8"	HEADER VALVE			
6C	8"	SALVAGE VALVE			
9C	6"	CHECK VALVE			
11C	1"	BLEED OFF VALVE (VENT)			
15C	1"	BYPASS VALVE (AROUND CHECK VALVE)			
19C	8"	CARGO HEADER			



KIRBY INLAND MARINE

CARGO PIPING FLOW DIAGRAM

REV.	DATE	BY	CHK APP	REVISION DESCRIPTION
0	02/02/09	RB	WK OF	APPROVED

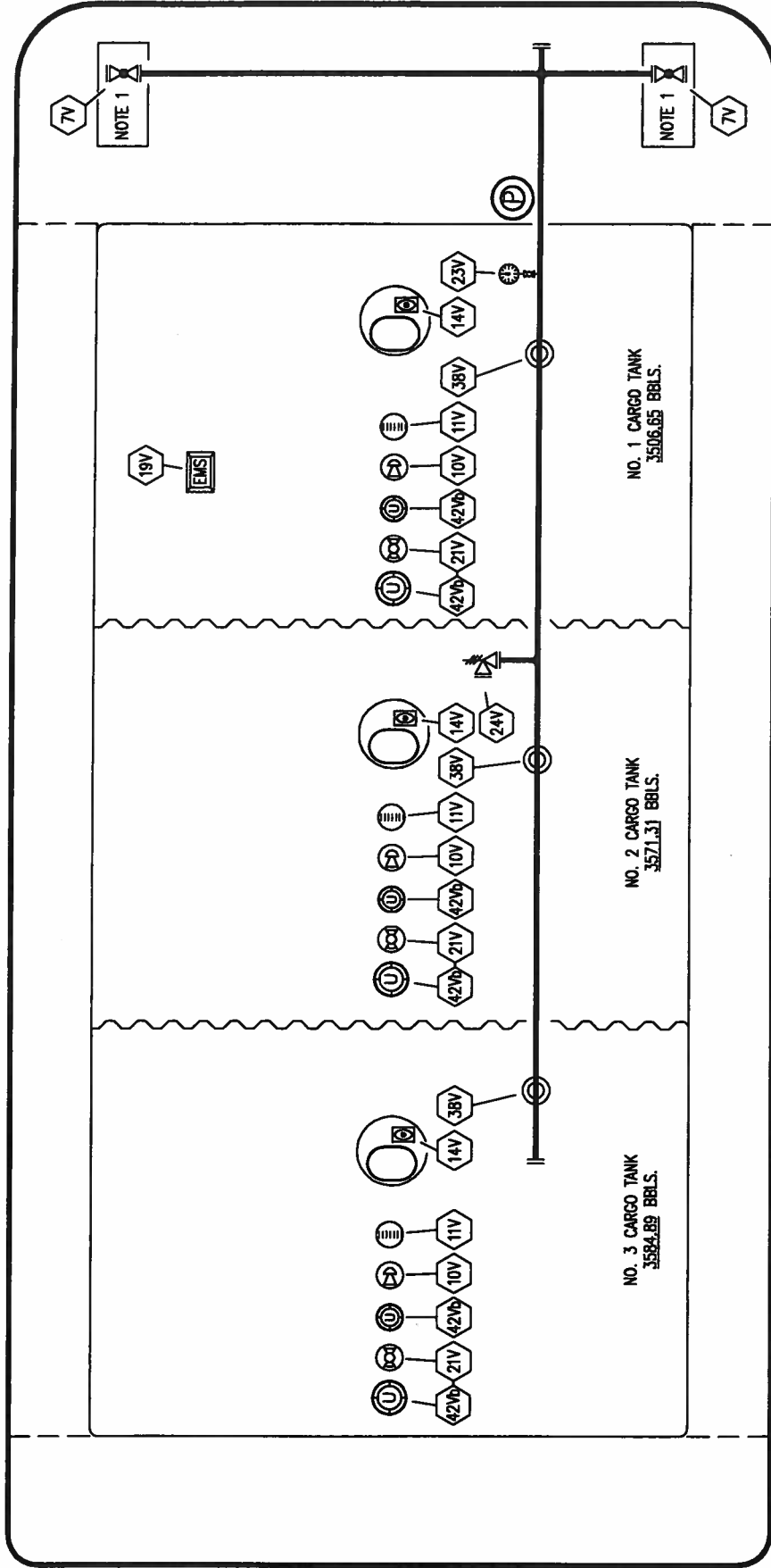
SCALE: NONE
PAGE: 1 OF 3

REV. 0
KIRBY 10381

PORT

BOW

STERN



STARBOARD

NOTE 1: CONTAINMENT- PORT & STB.

JEFFBOAT - EX: S/R 116



KIRBY INLAND MARINE

VAPOR

PIPING FLOW DIAGRAM

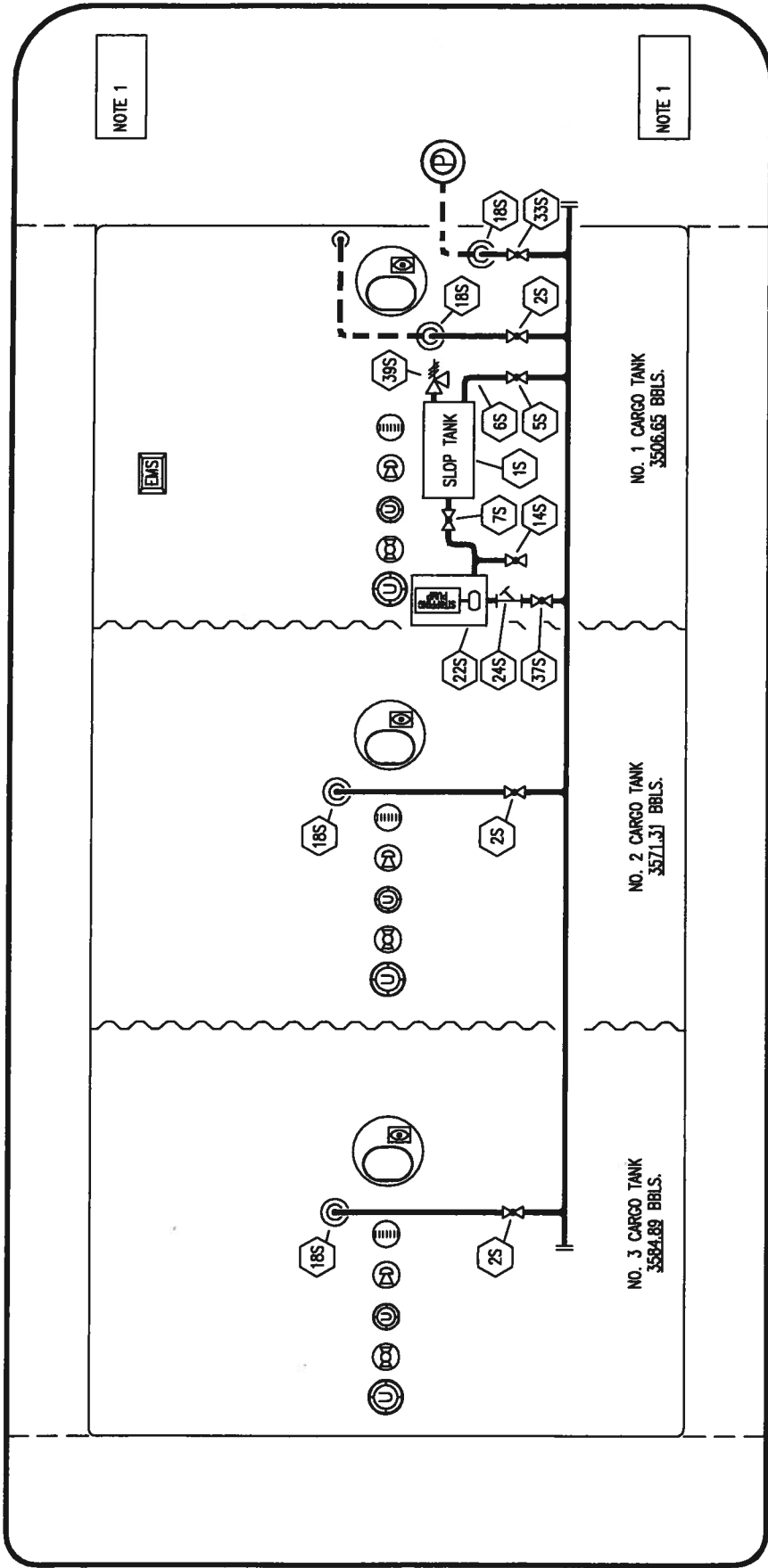
REV.	DATE	BY	CHK/APP	REVISION DESCRIPTION	SCALE:	PAGE	REV.
0	02/02/09	RB	WK OF	APPROVED	NONE	2	0
						OF 3	

KIRBY 10381

PORT

STERN

BOW



STARBOARD

NOTE 1: CONTAINMENT- PORT & STB.

JEFFBOAT - EX:S/R 116



KIRBY INLAND MARINE

STRIPPING

PIPING FLOW DIAGRAM

REV.	DATE	BY	CHK/APP	RB	WK	OF	APPROVED	REVISION DESCRIPTION
0	02/02/089							

- | | | | | | |
|-----|------|---------------------------|-----|--------|-------------------|
| NO | SIZE | DESCRIPTION | NO | SIZE | DESCRIPTION |
| 15 | | SLOP TANK | 33S | | PUMP WELL SUCTION |
| 25 | | CARGO TANK VALVE | 37S | | BLOCK VALVE |
| 55 | | SLOP TANK SUCTION VALVE | 39S | 2 1/2" | P/V VALVE |
| 6S | | SLOP TANK FILL PIPING | --- | | ABOVE DECK PIPING |
| 7S | | SLOP TANK VALVE (DISCH.) | --- | | BELOW DECK PIPING |
| 14S | | VALVE OVERBOARD DISCHARGE | | | |
| 18S | | STRIPPING DROP | | | |
| 22S | | STRIPPING PUMP | | | |
| 24S | | STRAINER | | | |