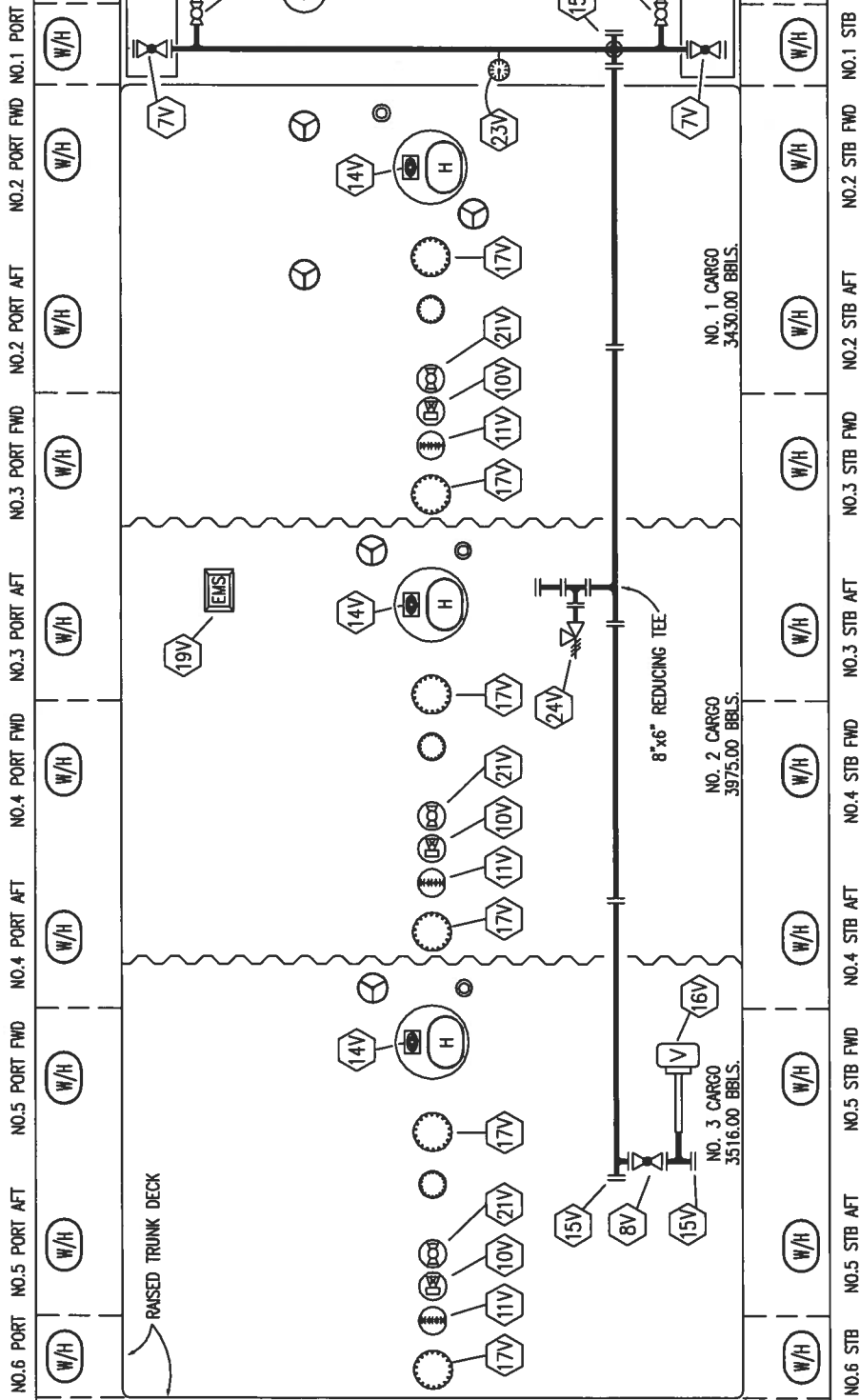


BOW

STERN



- | | |
|---------|---------------------------|
| NO. 7V | HERMETIC VALVE |
| NO. 8V | HEADER VALVE |
| NO. 10V | VENT STACK VALVE |
| NO. 11V | HIGH LEVEL/OVERFILL ALARM |
| NO. 14V | GAUGE STICK |
| NO. 15V | SIGHT GLASS |
| NO. 16V | INSPECTION PORT |
| NO. 17V | VAPOR VENT STACK |
| NO. 19V | BUTTERWORTH |
| NO. 21V | EMERGENCY SYSTEM SHUTDOWN |
| NO. 23V | HERMETIC GAUGE |
| NO. 24V | PRESSURE GAUGE |
| NO. 25V | PRESSURE RELIEF VALVE |
| | HEADER LOW POINT DRAIN |

NOTE 1: DEERWELL CARGO PUMP ABOVE DECK PIPING

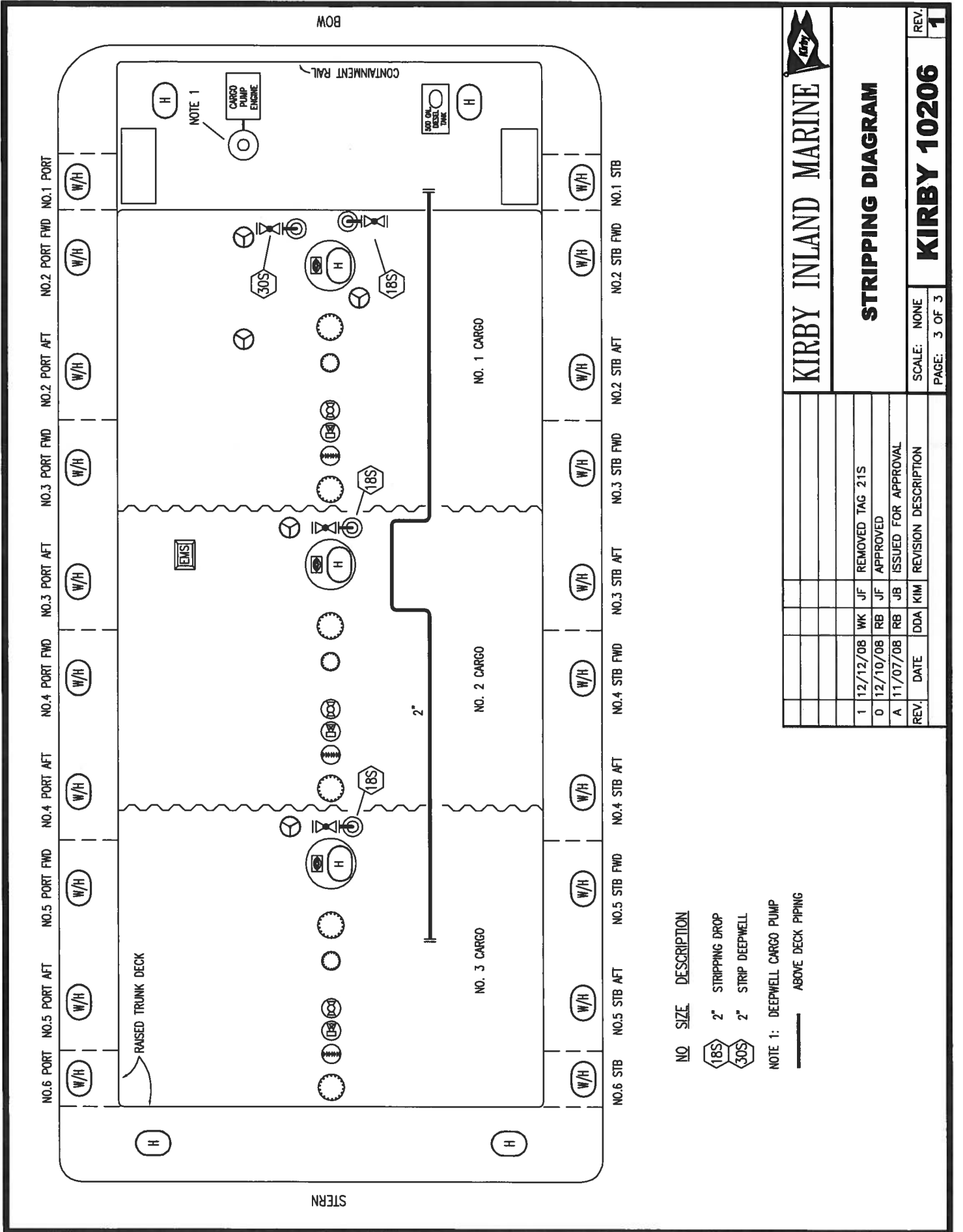


KIRBY INLAND MARINE

VAPOR DIAGRAM

SCALE: NONE	REV. 0
PAGE: 2 OF 3	

REV.	DATE	DDA	KIM	REVISION DESCRIPTION
0	12/11/08	RB	JF	APPROVED
A	11/07/08	RB	JB	ISSUED FOR APPROVAL



KIRBY INLAND MARINE

STRIPPING DIAGRAM

REV.	SCALE: NONE	REV. DESCRIPTION	REV.
1	PAGE: 3 OF 3		1

- NO. 18S 2" STRIPPING DROP
- NO. 30S 2" STRIP DEEPWELL
- NOTE 1: DEEPWELL CARGO PUMP ABOVE DECK PIPING

REV.	DATE	DDA	KIM	REVISION DESCRIPTION
1	12/12/08	WK	JF	REMOVED TAG 215
0	12/10/08	RB	JF	APPROVED
A	11/07/08	RB	JB	ISSUED FOR APPROVAL