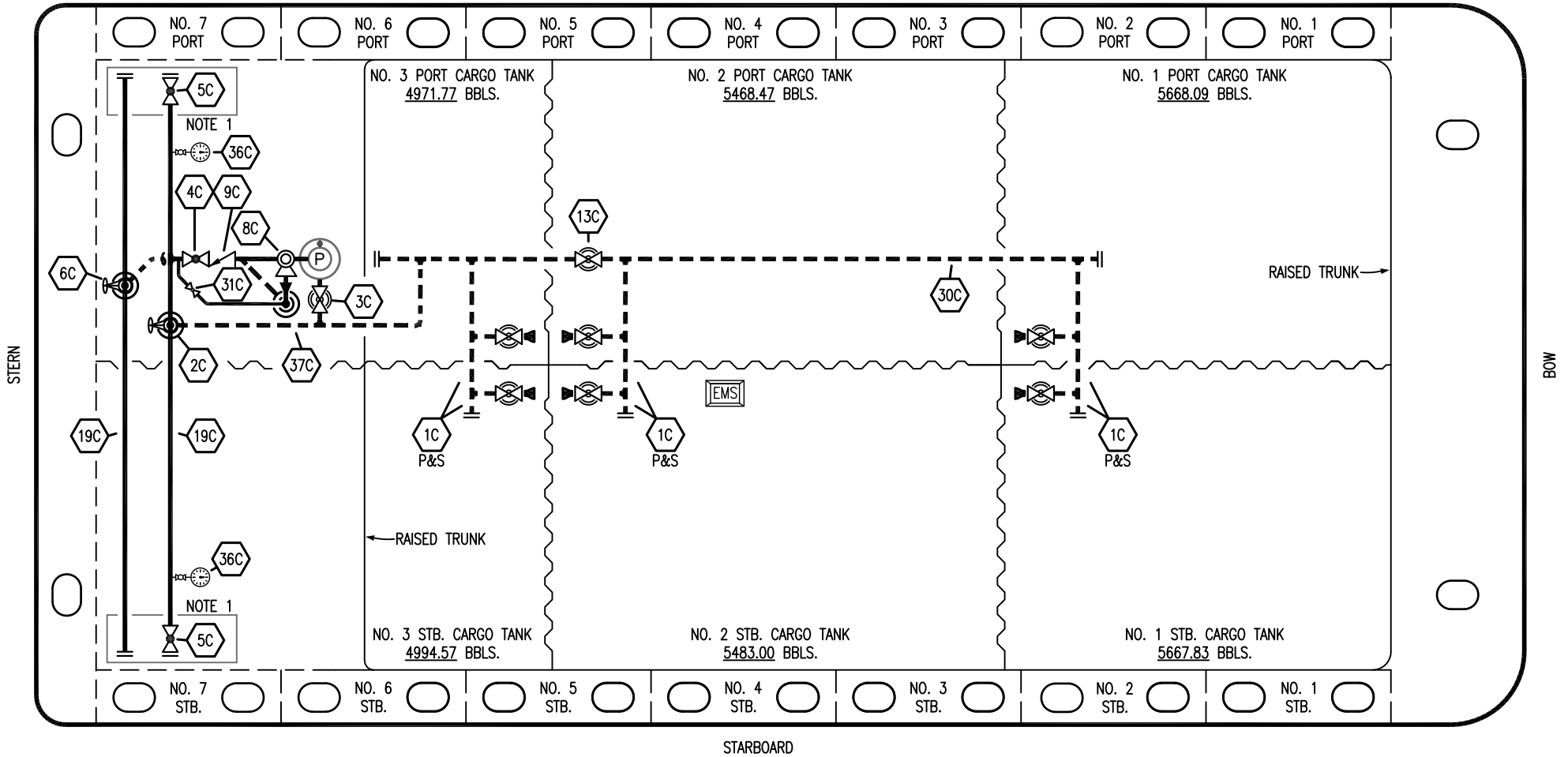



PORT



STARBOARD

- | | | | |
|----|----------------------|-----|--|
| NO | DESCRIPTION | NO | DESCRIPTION |
| 1C | CARGO TANK VALVE | 13C | CARGO PIPING BLOCK VALVE |
| 2C | LOAD VALVE | 19C | CARGO HEADER |
| 3C | MASTER SUCTION VALVE | 30C | CARGO PIPELINE |
| 4C | DISCHARGE VALVE | 31C | BYPASS VALVE |
| 5C | HEADER VALVE | 36C | PRESSURE GAUGE |
| 6C | SALVAGE VALVE | 37C | CARGO DROP  |
| 8C | RELIEF VALVE | — | — ABOVE DECK PIPING |
| 9C | CHECK VALVE | --- | --- BELOW DECK PIPING |

NOTE 1: CONTAINMENT P/S

0	08/22/23	MRV	DDA	DEM	ISSUED FOR APPROVAL
REV.	DATE	BY	CHK	APP	REVISION DESCRIPTION

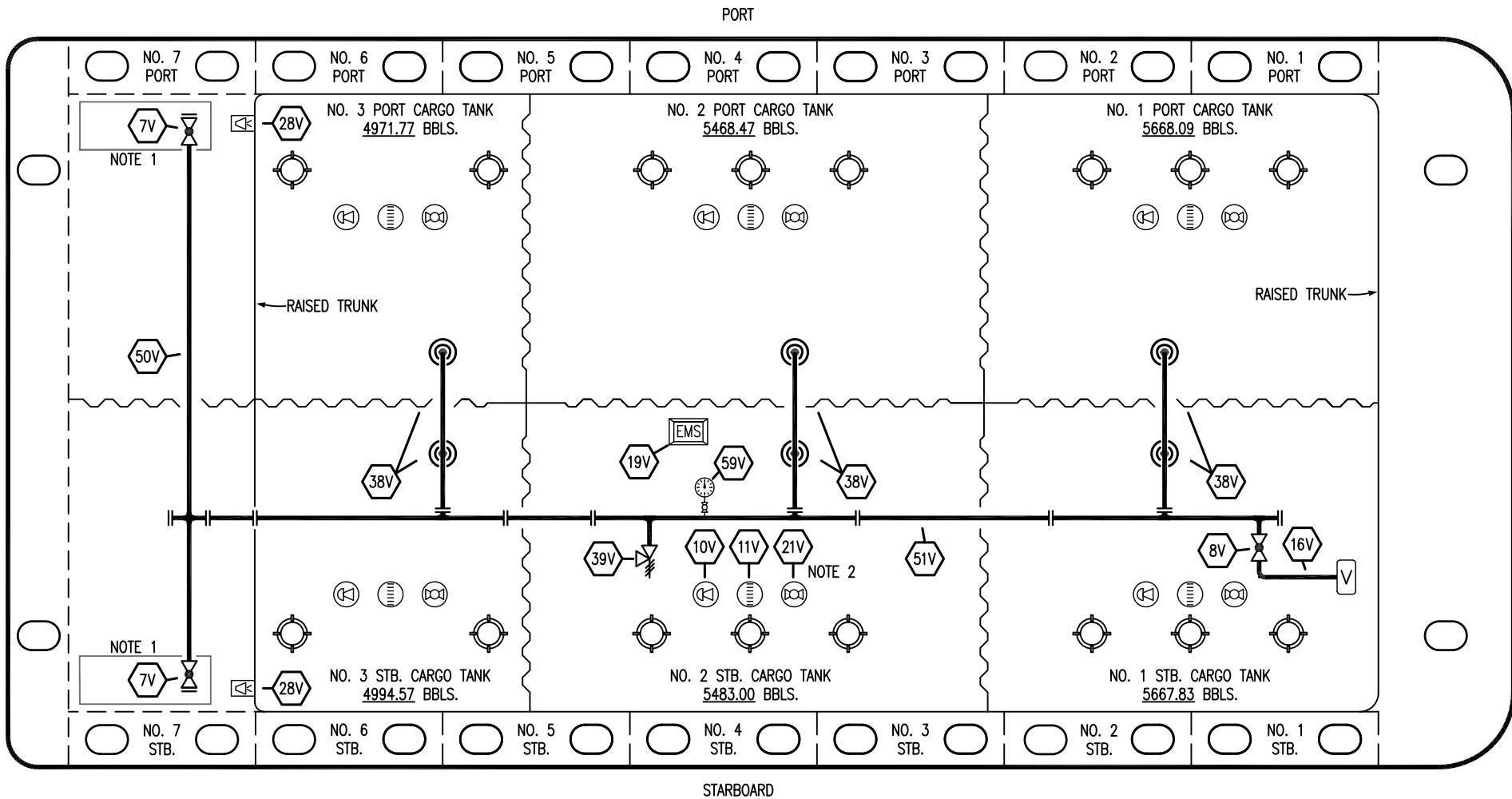
KIRBY INLAND MARINE 

**CARGO
PIPING FLOW DIAGRAM**

SCALE: NONE
PAGE: 1 OF 3

HTCO 3141

REV. **0**



NO	DESCRIPTION	NO	DESCRIPTION
7V	HEADER VALVE	28V	DOCK CONNECTION ALARM
8V	VENT STACK VALVE	38V	VAPOR PENETRATION
10V	HIGH LEVEL/OVERFILL ALARM	39V	PRESSURE/VACUUM VALVE
11V	1-METER GAUGE STICK	50V	VAPOR HEADER
16V	VAPOR VENT STACK	51V	VAPOR PIPELINE
19V	EMERGENCY ENGINE SHUT DOWN	59V	PRESS/VAC GAUGE
21V	HERMETIC GAUGE	—	ABOVE DECK PIPING

NOTE 2: TYPICAL RIGGING IN EACH TANK

NOTE 1: CONTAINMENT P/S

REV.	DATE	BY	CHK	APP	REVISION DESCRIPTION
0	08/22/23	MRV	DDA	DEM	ISSUED FOR APPROVAL

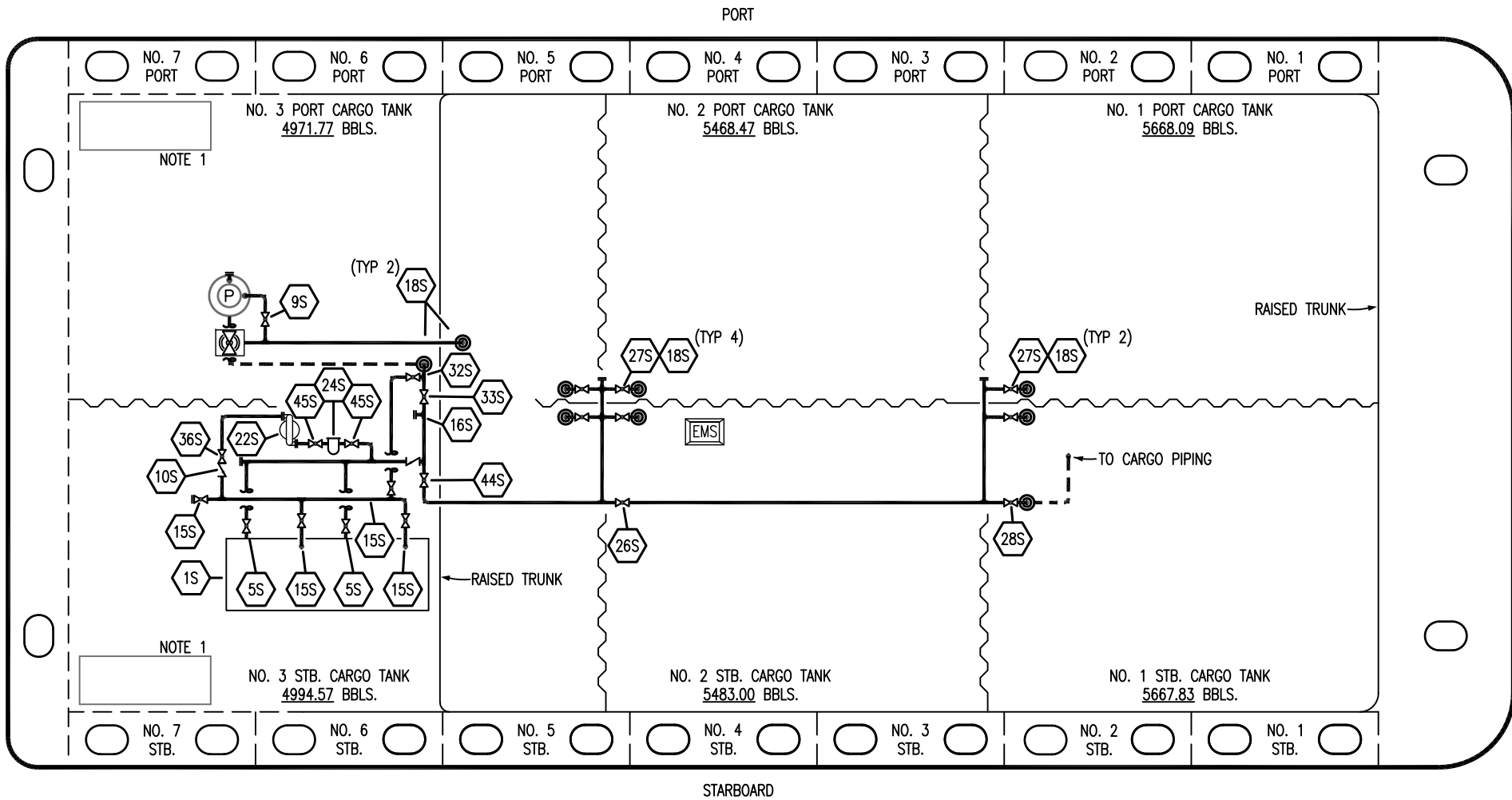
KIRBY INLAND MARINE

**VAPOR
PIPING FLOW DIAGRAM**

SCALE: NONE
PAGE: 2 OF 3

HTCO 3141

REV. **0**



- | | | | |
|-----|--------------------------------|-------|------------------------------|
| NO | DESCRIPTION | NO | DESCRIPTION |
| 1S | SLOP TANK | 26S | STRIPPING HEADER BLOCK VALVE |
| 5S | SLOP TANK SUCTION VALVE | 27S | SUMP SUCTION VALVE |
| 9S | BURP VALVE | 28S | CARGO PIPING SUCTION |
| 10S | STRIPPING PUMP CHECK VALVE | 32S | PUMP WELL PRIMER VALVE |
| 15S | DISCHARGE VALVE | 33S | PUMP WELL SUCTION |
| 16S | REMOTE SUCTION CONNECTION | 36S | STRIPPING PUMP DISCHARGE |
| 18S | TYP. STRIPPING PENETRATION (⊙) | 44S | STRIPPING PUMP SUCTION |
| 22S | STRIPPING PUMP | 45S | STRIPPING PUMP SUCTION VALVE |
| 24S | BASKET STRAINER | — | ABOVE DECK PIPING |
| | | - - - | BELOW DECK PIPING |

NOTE 1: CONTAINMENT P/S

0	08/22/23	MRV	DDA	DEM	ISSUED FOR APPROVAL	
REV.	DATE	BY	CHK	APP	REVISION DESCRIPTION	

KIRBY INLAND MARINE	
STRIPPING PIPING FLOW DIAGRAM	
HTCO 3141	REV. 0
SCALE: NONE	PAGE: 3 OF 3