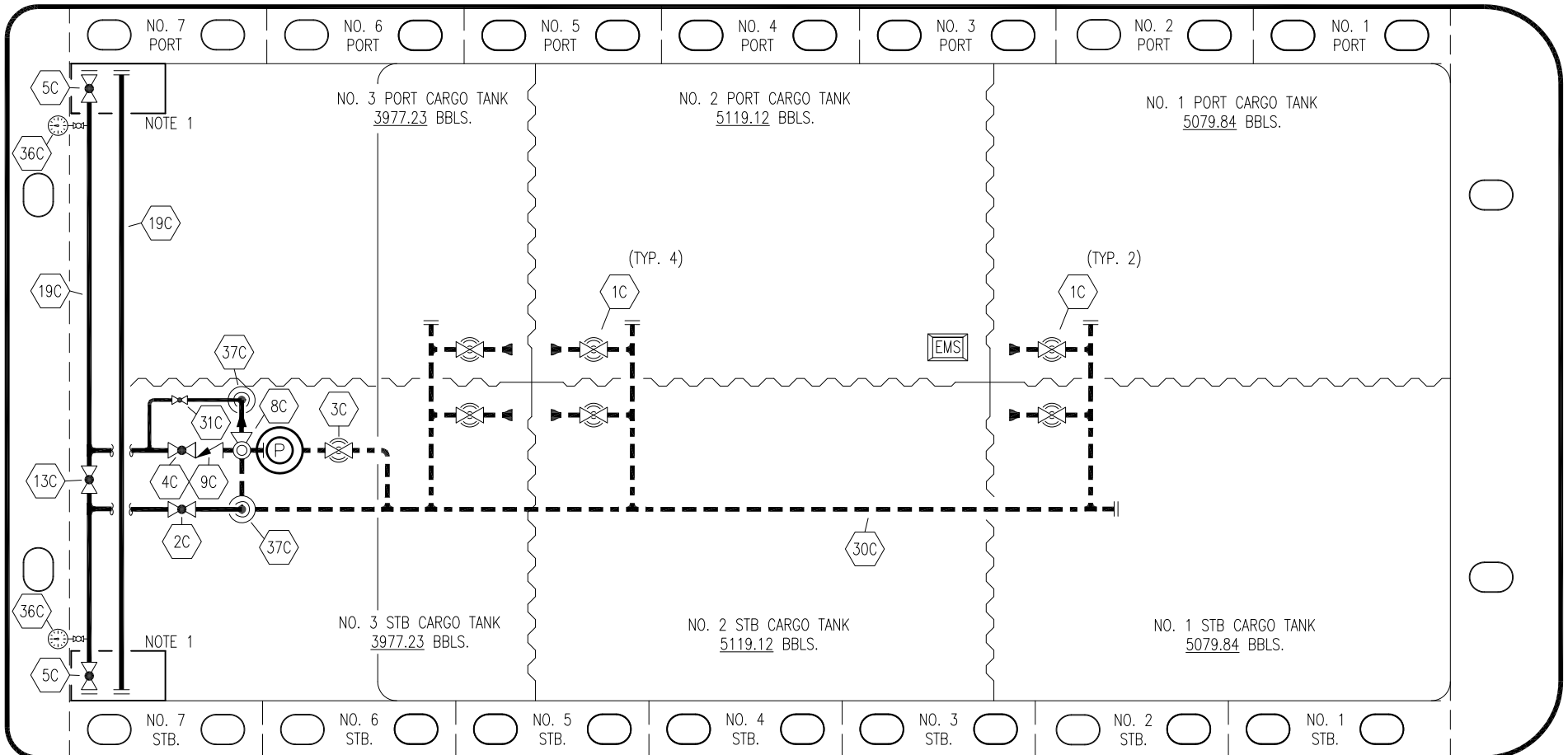


PORT



STARBOARD

NO	DESCRIPTION	NO	DESCRIPTION
1C	CARGO TANK VALVE	13C	CARGO PIPING BLOCK VALVE
2C	LOAD VALVE	19C	CARGO HEADER
3C	MASTER SUCTION VALVE	30C	CARGO PIPELINE
4C	DISCHARGE VALVE	31C	BYPASS VALVE
5C	HEADER VALVE	36C	PRESSURE GAUGE
8C	RELIEF VALVE	37C	CARGO DROP
9C	CHECK VALVE		
		—	ABOVE DECK PIPING
		---	BELOW DECK PIPING

NOTE 1: CONTAINMENT P/S

REV.	DATE	BY	CHK	APP	REVISION DESCRIPTION
0	10/03/19	NRB	DDA		ISSUED FOR APPROVAL

KIRBY INLAND MARINE

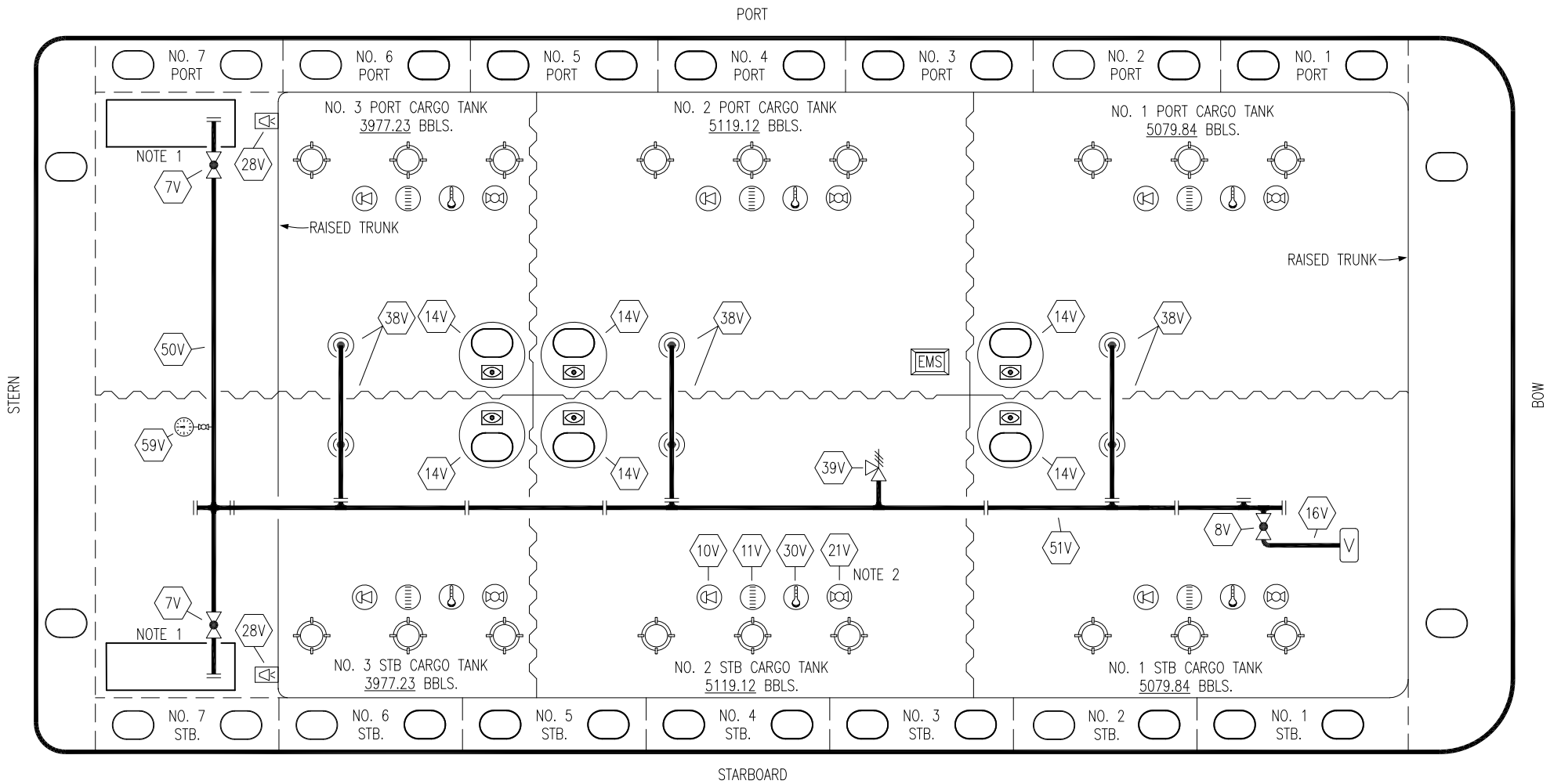


**CARGO
PIPING FLOW DIAGRAM**

HTCO 3069

REV. **0**


SCALE: NONE
PAGE: 1 OF 3

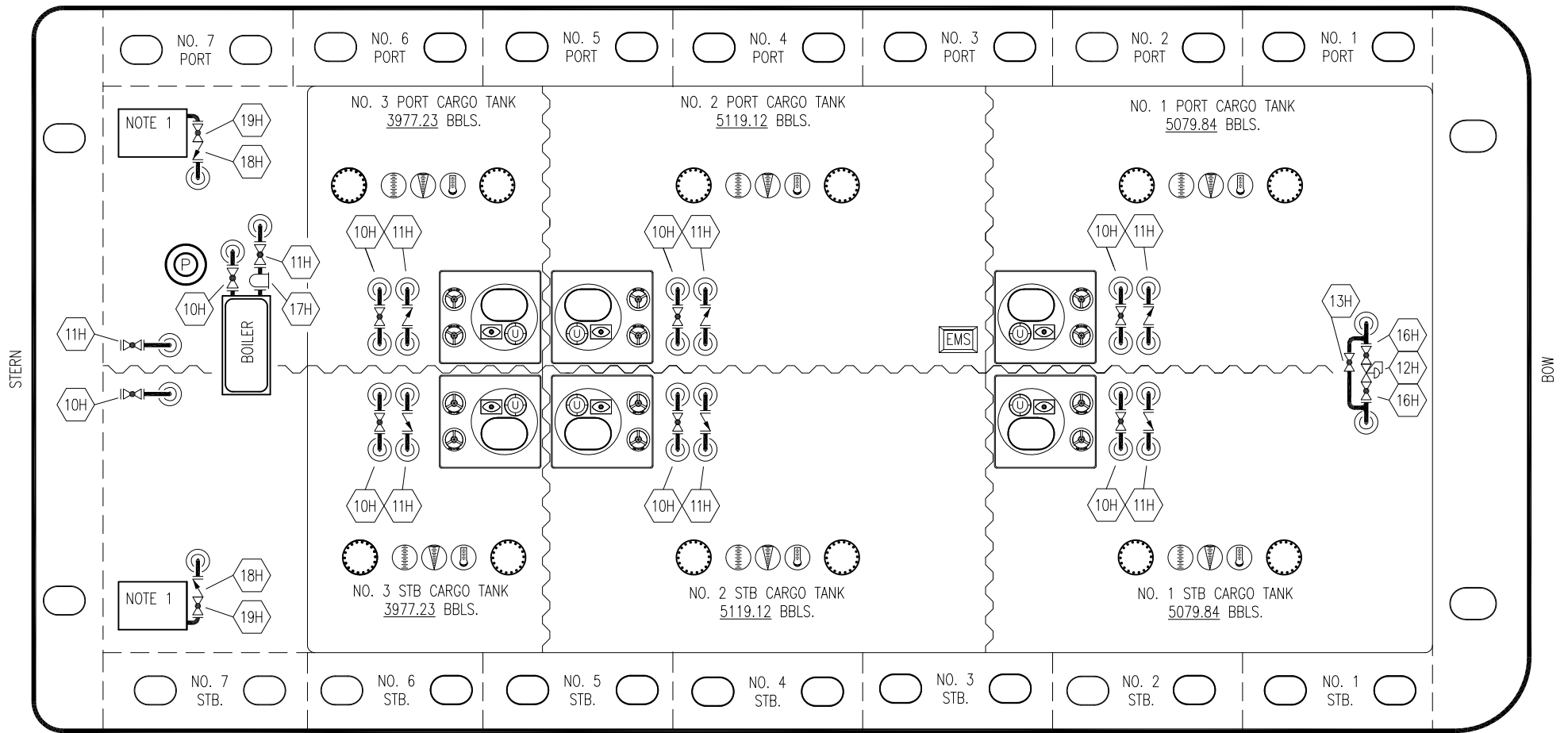


- | | | | |
|-----|----------------------------|-----|--------------------------|
| NO | DESCRIPTION | NO | DESCRIPTION |
| 7V | 8" HEADER VALVE | 30V | THERMAL WELL |
| 8V | 8" VENT STACK VALVE | 38V | 8" VAPOR PENETRATION (☉) |
| 10V | HIGH LEVEL/OVERFILL ALARM | 39V | PRESSURE/VACUUM VALVE |
| 11V | 1-METER GAUGE STICK | 50V | 8" VAPOR HEADER |
| 14V | SIGHT GLASS W/ GAUGE TREE | 51V | 8" VAPOR PIPELINE |
| 16V | VAPOR VENT STACK | 59V | PRESS/VAC GAUGE |
| 19V | EMERGENCY ENGINE SHUT DOWN | — | ABOVE DECK PIPING |
| 21V | HERMETIC GAUGE | | |
| 28V | DOCK CONNECTION ALARM | | |

NOTE 2: TYPICAL RIGGING IN EACH TANK
 NOTE 1: CONTAINMENT P/S

0	10/03/19	NRB	DDA		ISSUED FOR APPROVAL
REV.	DATE	BY	CHK	APP	REVISION DESCRIPTION

 KIRBY INLAND MARINE	
VAPOR PIPING FLOW DIAGRAM	
SCALE: NONE PAGE: 2 OF 3	HTCO 3069 REV. 0



STERN

BOW

- | NO | DESCRIPTION |
|-----|----------------------|
| 10H | SUPPLY VALVE |
| 11H | RETURN |
| 12H | PRESSURE REGULATOR |
| 13H | BY-PASS |
| 16H | ISOLATION VALVE |
| 17H | BASKET STRAINER |
| 18H | CHECK VALVE |
| 19H | DRIP PAN DRAIN VALVE |

— ABOVE DECK PIPING

NOTE 1: 6 BARREL DRIP PAN

0	10/03/19	NRB	DDA		ISSUED FOR APPROVAL	
REV.	DATE	BY	CHK	APP	REVISION DESCRIPTION	

KIRBY INLAND MARINE

HOT OIL
PIPING FLOW DIAGRAM

HTCO 3069

SCALE: NONE	REV. 0
PAGE: 3 of 3	