

NOTE 1:
 USE C.S. BOLTS FOR BLIND FLANGES
 FOR TESTING & PAINTING - INSTALL
 TEFLON COATED BOLTS PRIOR TO
 DELIVERY.

NOTE:
 HULL# 4813, BARGE NAME: HTCO 3080
 HULL# 4814, BARGE NAME: HTCO 3081
 HULL# 4815, BARGE NAME: HTCO 3082
 HULL# 4816, BARGE NAME: HTCO 3083
 HULL# 4859, BARGE NAME: EBL 2986
 HULL# 4860, BARGE NAME: EBL 2985
 HULL# 4861, BARGE NAME: HTCO 3084
 HULL# 4862, BARGE NAME: HTCO 3085

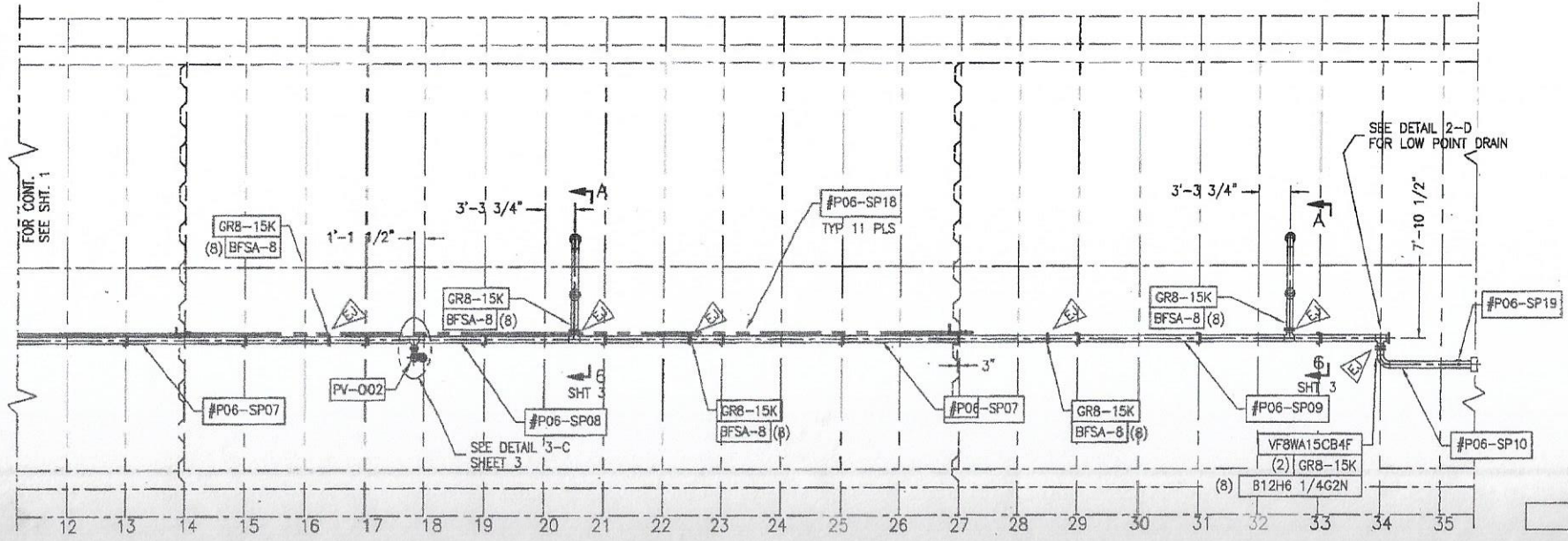
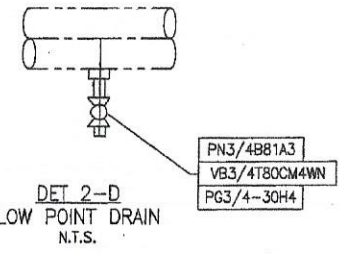
REV	ITEM	REVISIONS	DATE	BY
1	AS-BUILT		2/18/12	MD
2	RELOCATES FLG RODS FROM P-03		12/14/11	MD
1	CUSTOMER CHANGE, ADDS (2) HULL #S		9/18/11	JF

REVISIONS	
1	297'-8" X 54'-0" X 12'-0" DOUBLE SKIN TANK BARGE

THIRTY MARINE PRODUCTS, INC.	
The design and the fabrication of this vessel are completed by Thirty Marine Products (T.M.P.) and are the property of Thirty Marine Products. Neither the drawings nor the information is to be used for any purpose other than that for which it was specifically designed by Thirty Marine Products. T.M.P. will be responsible for any errors without further notice.	
THIRTY MARINE PRODUCTS, INC. 1000 Valley Road - Ashland City, TN 37015	
HIGMAN BARGE LINES, INC.	
297'-8" X 54'-0" X 12'-0" DOUBLE SKIN TANK BARGE	
VAPOR PIPING ARRANGEMENT	
SCALE: AS SHOWN	DATE: 8/23/11
DRAWN BY: JF	CHKD BY: []
YARD: ASHLAND CITY	TAB No.: 98199
HULL No.: *SEE NOTE	SHOP ORDERS:
ISSUED BY: P-06	REV. 1 OF 12
	REV. AD

EJ: ERECTION JOINT

8 7 6 5 4 3 2 1



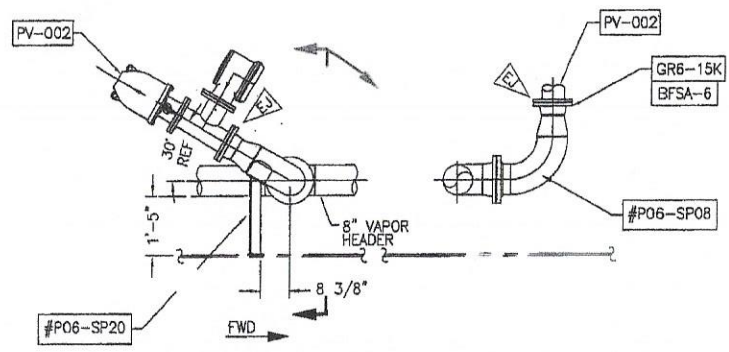
PLAN 5-B
SCALE 3/16"=1'-0"

- NOTE:
- HULL# 4813, BARGE NAME: HTCO 3080
 - HULL# 4814, BARGE NAME: HTCO 3081
 - HULL# 4815, BARGE NAME: HTCO 3082
 - HULL# 4816, BARGE NAME: HTCO 3083
 - HULL# 4859, BARGE NAME: EBL 2988
 - HULL# 4860, BARGE NAME: EBL 2985
 - HULL# 4861, BARGE NAME: HTCO 3084
 - HULL# 4862, BARGE NAME: HTCO 3085

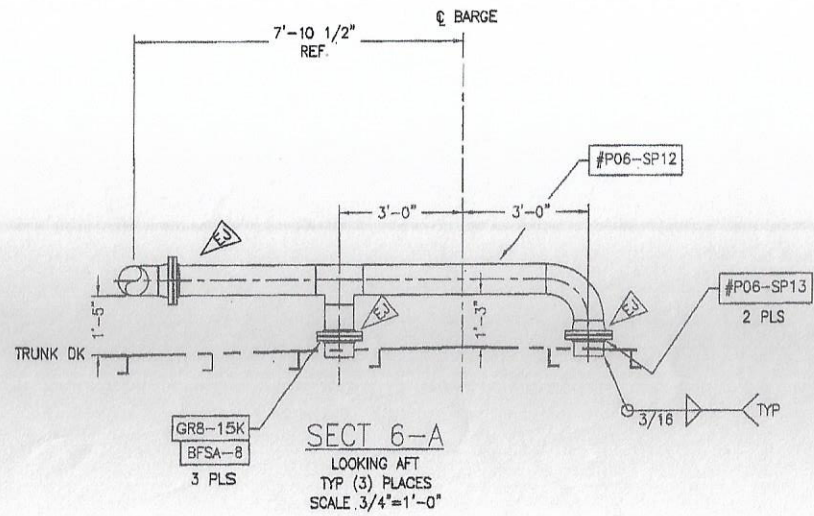
AEI	AS-BUILT	3/28/12 MD
1	CUSTOMER CHANGE, ADDS (2) HULL #'S	3/28/11 JF
REV	DESCRIPTION	DATE BY
REVISIONS		
THRENTY MARINE PRODUCTS, INC.		
<small>The drawings and the information stated herein are copyrighted by Thirty Marine Products, Inc. and the user hereby agrees to indemnify and hold harmless the designer for such information as it is used for any purpose other than that for which it was specifically intended. Thirty Marine Products, Inc. will not be responsible for any errors or omissions on drawings or specifications.</small>		
HIGMAN BARGE LINES, INC. 297'-6" X 54'-0" X 12'-0" DOUBLE SKIN TANK BARGE		
VAPOR PIPING ARRANGEMENT		
SCALE:	AS SHOWN	DATE: 6/23/11
DESIGN BY:	JF	DATE: 6/23/11
APP'D BY:		DATE: 6/23/11
YARD:	AKR/LAND CITY	TAG No.: 981300
HULL No.:	*SEE NOTE	SHIP ORDER:
		REV: AS
		DATE: 6/23/11

EJ: ERECTION JOINT

8 7 6 5 4 3 2 1



DETAIL 3-C
 PRESSURE/VACUUM RELIEF VALVE & SUPPORT
 SCALE: 3/4"=1'-0"



SECT 6-A
 LOOKING AFT
 TYP (3) PLACES
 SCALE 3/4"=1'-0"

- NOTE:
 HULL# 4813, BARGE NAME: HTCO 3080
 HULL# 4814, BARGE NAME: HTCO 3081
 HULL# 4815, BARGE NAME: HTCO 3082
 HULL# 4816, BARGE NAME: HTCO 3083
 HULL# 4859, BARGE NAME: EBL 2986
 HULL# 4860, BARGE NAME: EBL 2985
 HULL# 4861, BARGE NAME: HTCO 3084
 HULL# 4862, BARGE NAME: HTCO 3085

REV	DESCRIPTION	DATE	BY
AS-BUILT		2/18/12	MD
1	CUSTOMER CHANGE, ADDS (2) HULL #'S	8/18/11	JF
REVISIONS			

The drawings and the information shown therein are copyrighted by Thirty Marine Products, LLC and are the property of Thirty Marine Products. Material not showing the same information is to be used for any purpose or other than that for which it was specifically intended and Thirty Marine Products, LLC, nor its representatives, shall be held liable for any consequences.

THIRTY MARINE PRODUCTS, INC.
 MARINE ENGINEERING
 2000 10th St. N. #204
 MINNEAPOLIS, MN 55412

HIGMAN BARGE LINES, INC.
 287'-6" X 54'-0" X 12'-0" DOUBLE SKIN TANK BARGE
 VAPOR PIPING ARRANGEMENT

SCALE: AS SHOWN	DATE: 8/31/11	DWG No.
DESIGN BY: JF	CHECK BY:	APPR BY:
YARD: ASHLAND CRY	TAG No.: 08188	SHEET 3 OF 23
HULL No.:	*SEE NOTE	SHOP ORDER:

EJ: ERECTION JOINT