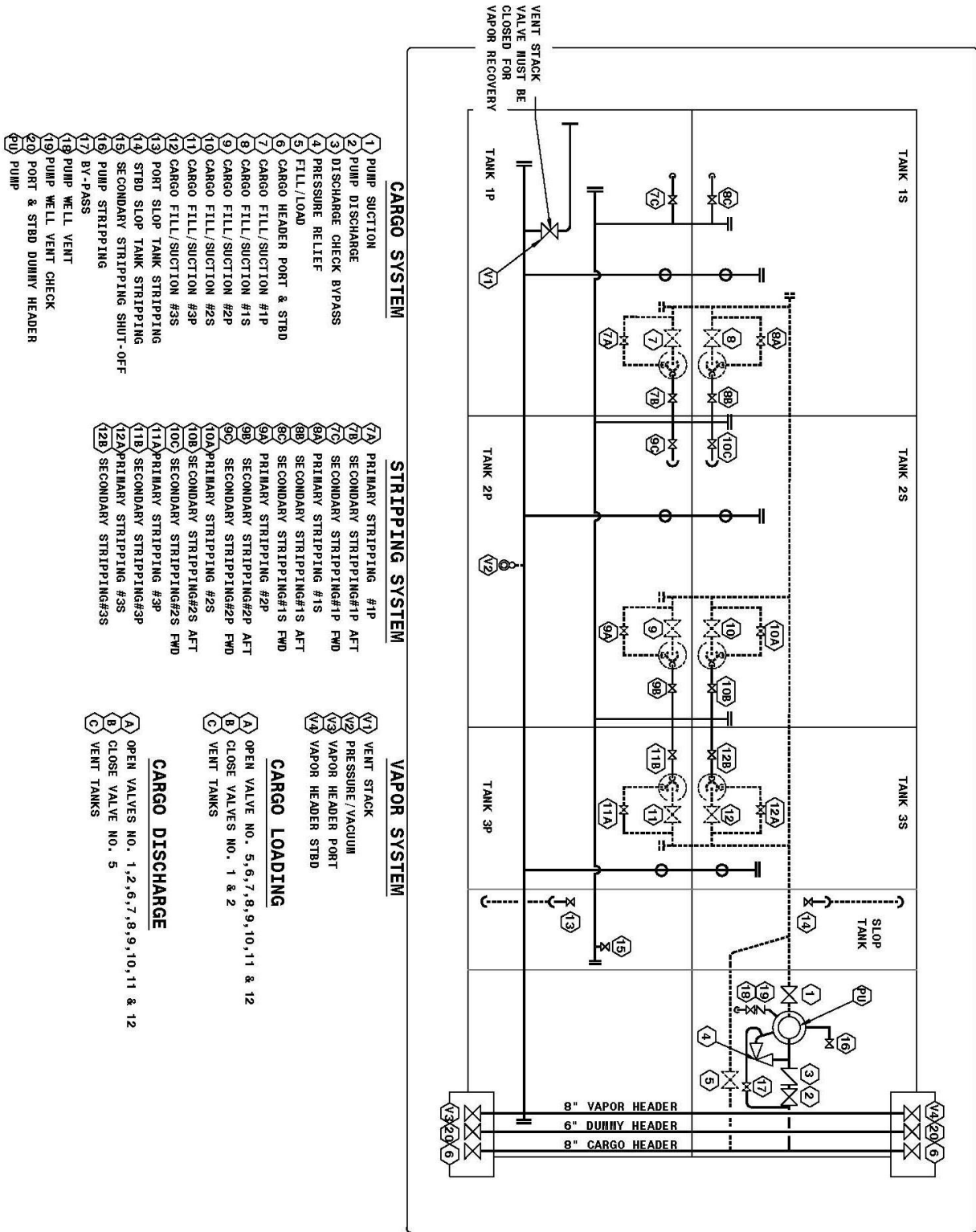


CARGO TRANSFER PROCEDURES

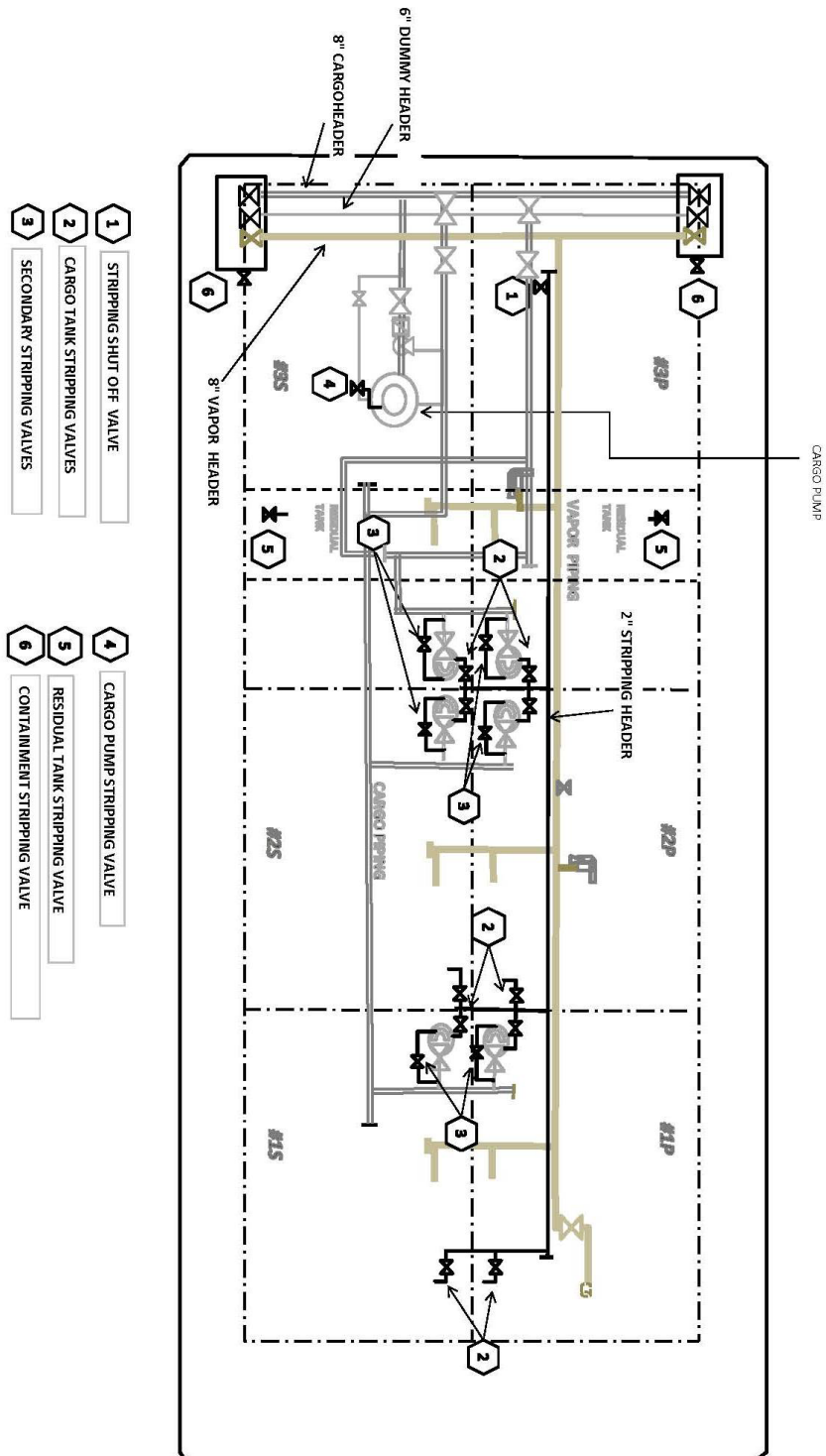
FMT 3146

CARGO PIPING DIAGRAM



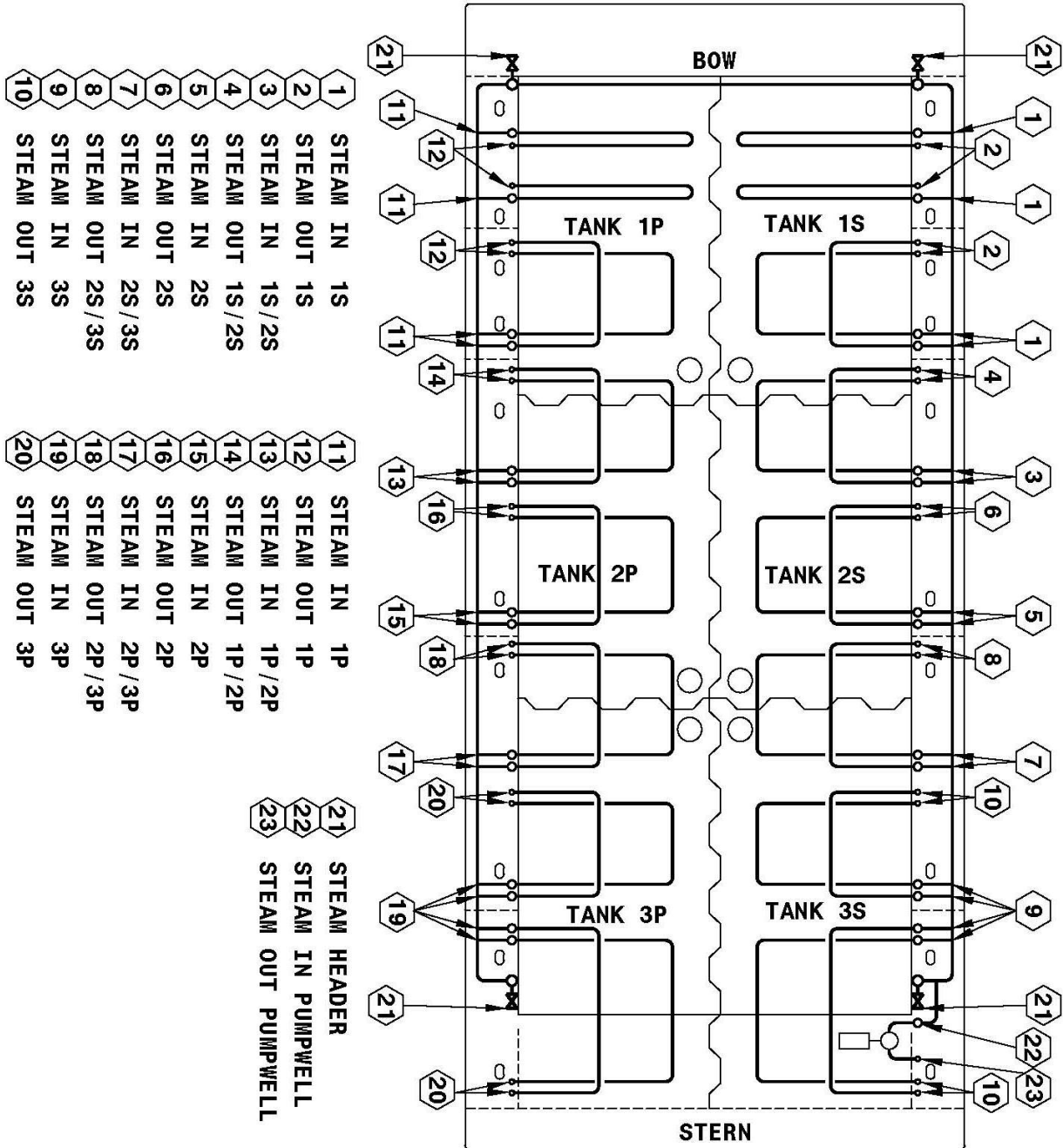
CARGO TRANSFER PROCEDURES FMT 3146

STRIPPING PIPING DIAGRAM



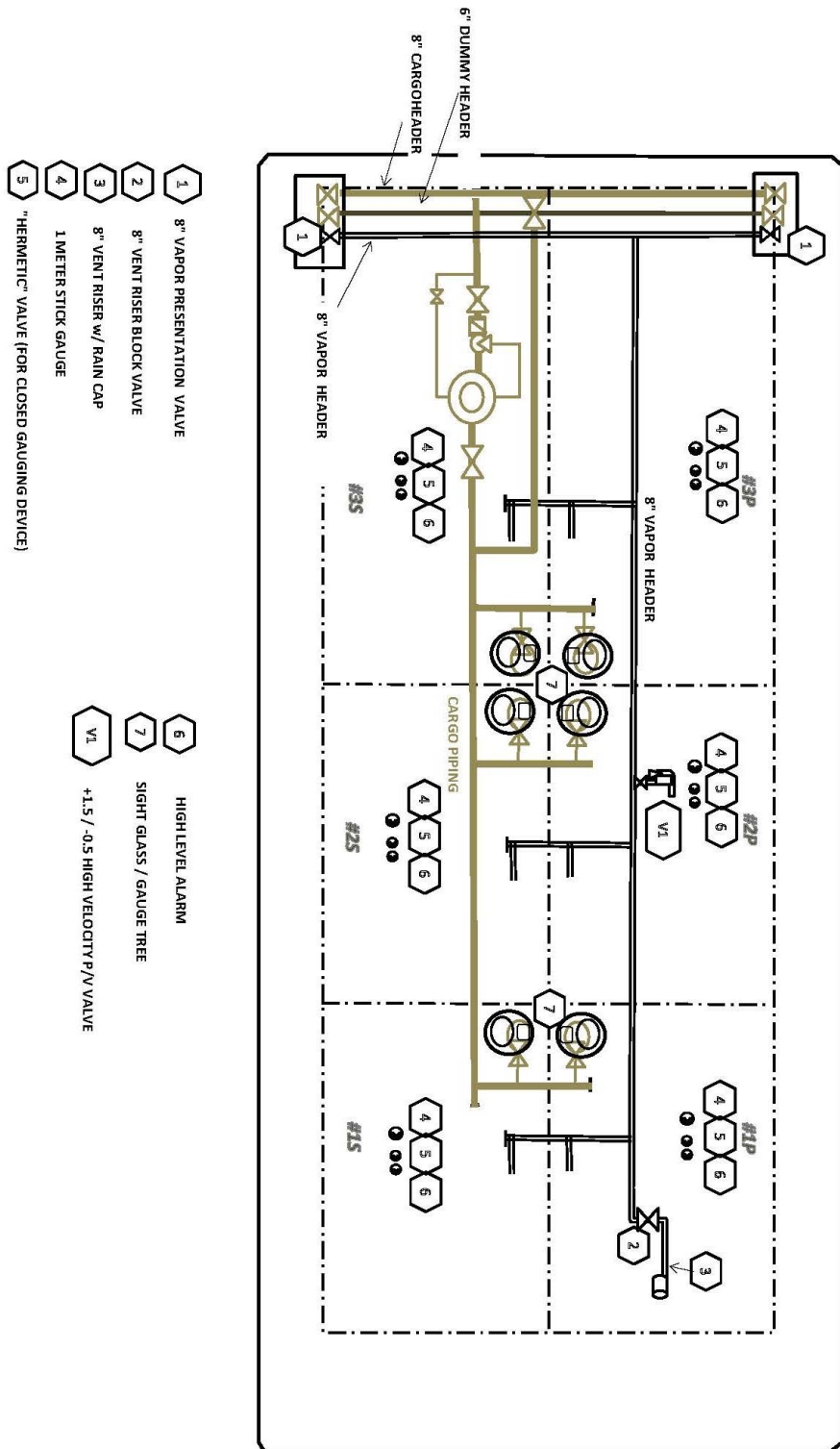
CARGO TRANSFER PROCEDURES
FMT 3146

STTEAM PIPING DIAGRAM



CARGO TRANSFER PROCEDURES FMT 3146

155.750 (d) (1) VAPOR COLLECTION SYSTEM LINE DIAGRAMS



- 1 8" VAPOR PRESENTATION VALVE
- 2 8" VENT RISER BLOCK VALVE
- 3 8" VENT RISER w/ RAIN CAP
- 4 1 METER STICK GAUGE
- 5 "HERMETIC" VALVE (FOR CLOSED GAUGING DEVICE)

- 6 HIGH LEVEL ALARM
- 7 SIGHT GLASS / GAUGE TREE
- VI +1.5 / -0.5 HIGH VELOCITY P/V VALVE