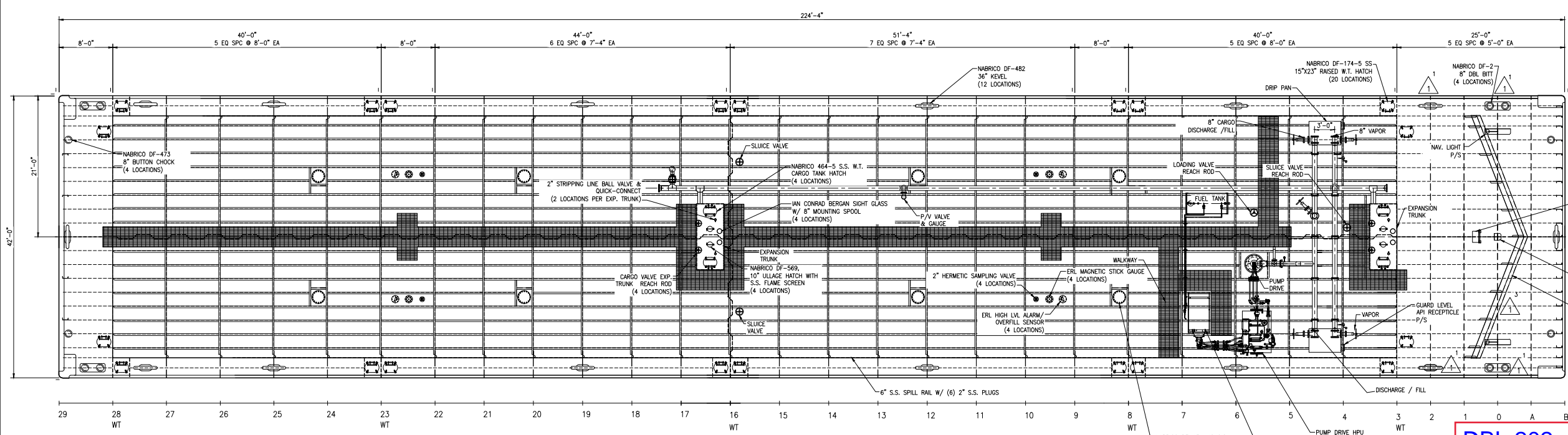
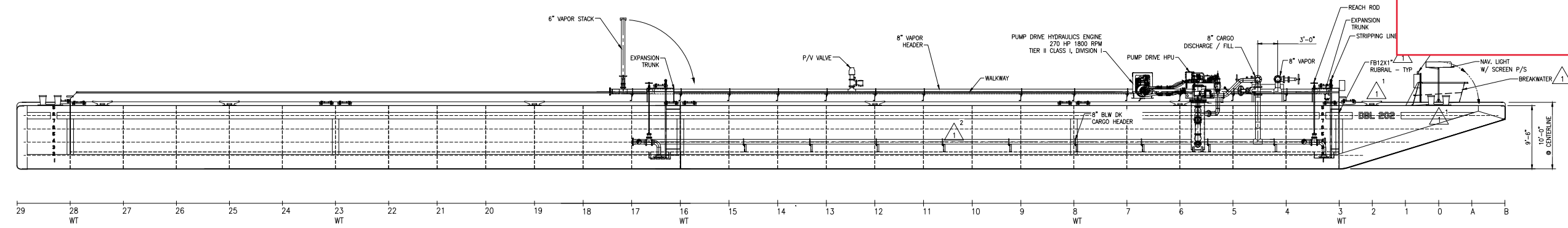


REV.	ZONE	DESCRIPTION	DATE	APVD.
0	-	ISSUED FOR CONSTRUCTION	6/28/12	EJB
1	-	1. REVISED KEEL & DOUBLE BITT LOCATIONS @ BOW RAKE	8/30/12	EJB
-	-	2. REVISED RUB BAR TO SPAN LENGTH OF VESSEL & ADD VERTICAL SPANS @ WT BHD'S	8/30/12	EJB
-	-	3. ADDED BREAKWATER STRUCTURE	8/30/12	EJB



C4 PLAN VIEW
SCALE: 1/8" = 1'-0"

DBL 202
OFFICIAL NUMBER 1242244
 1 PORT-- 2233.17
 1 STBD-- 2235.27
 2 PORT-- 2075.28
 2 STBD-- 2076.04



B4 OUTBOARD PROFILE
LOOKING TO PORT
SCALE: 1/8" = 1'-0"

GENERAL NOTES:

- THE BARGE SHALL BE DESIGNED, CONSTRUCTED AND TESTED IN ACCORDANCE WITH APPLICABLE AMERICAN BUREAU OF SHIPPING RULES, BUT WILL NOT BE CLASSIFIED BY ABS.
- THE BARGE SHALL BE CERTIFIED BY USCG FOR THE CARRIAGE OF SUBCHAPTER D CARGOES (GRADE A AND LOWER) AND ALSO FOR THE CARRIAGE OF SUBCHAPTER O HAZARDOUS CARGOES (TYPES II AND III) ON RIVERS, LAKES, BAYS, AND SOUNDS.
- THE BARGE SHALL MEET THE HULL STRENGTH, SUBDIVISION AND STABILITY REQUIREMENTS OF 46 CFR SUBPART 151.10 AS APPLICABLE.
- ALL MATERIALS, WORKMANSHIP AND WELDING SHALL BE TO THE SATISFACTION OF THE OCM.
- A WARNING SIGN WITH A MINIMUM 2" HIGH LETTERS SHALL BE PROVIDED AT THE GANGWAY OF THE VESSEL OR AS APPROVED BY THE OCM TO READ AS FOLLOWS:
 WARNING
 NO OPEN LIGHTS
 NO SMOKING
 NO VISITORS
- A RED SIGNAL (FLAG BY DAY AND ELECTRICAL LANTERN BY NIGHT) SHALL BE PROVIDED AND SO PLACED THAT IT WILL BE VISIBLE ON ALL SIDES DURING CARGO TRANSFERS. INSTALLATION SHALL BE TO THE SATISFACTION OF THE OCM.
- WHEN CARGO HANDLING OPERATIONS INVOLVE SUBCHAPTER O, HAZARDOUS MATERIALS - ACID, THE PERSON IN CHARGE OF HANDLING OPERATIONS SHALL ENSURE THAT CHEMICAL PROTECTIVE CLOTHING IS WORN BY ALL PERSONNEL ENGAGED IN A CARGO OPERATION AS REQUIRED BY 46 CFR 151.50-73.

REF.	DWG. NO.	DRAWING NAME

ORANGE
 A CONRAD INDUSTRIES CO.
 710 MARKET STREET - ORANGE, TEXAS 77660
 PHONE 409-843-6666 FAX 409-843-0800

DRAWN: CBC
 DATE: 6/28/12
 CHECKED: 6/28/12
 YARD APP'VD: 6/28/12
 REG. APP'VD:
 CUST. APP'VD:

THIS DOCUMENT AND ALL INFORMATION CONTAINED THEREIN ARE THE PROPERTY OF ORANGE SHIPBUILDING CO., INC. A CONRAD INDUSTRIES, INC. COMPANY AND NEITHER RECEIPT NOR POSSESSION THEREOF CONVEYS OR TRANSFERS ANY RIGHTS TO REPRODUCE, DISCLOSE, OR USE IN ANY MANNER THIS DOCUMENT, IN WHOLE OR IN PART, OR ANY INFORMATION CONTAINED THEREIN, EXCEPT BY WRITTEN PERMISSION.

224'-4"X42'-0"X10'-0"
ACID TANK BARGE
GENERAL ARRANGEMENT

SIZE	PROJECT NO.	DWG. NO.	REV
D	H-436	A-01	1
SCALE	AS SHOWN	FILE A-01	SHEET 1 OF 1