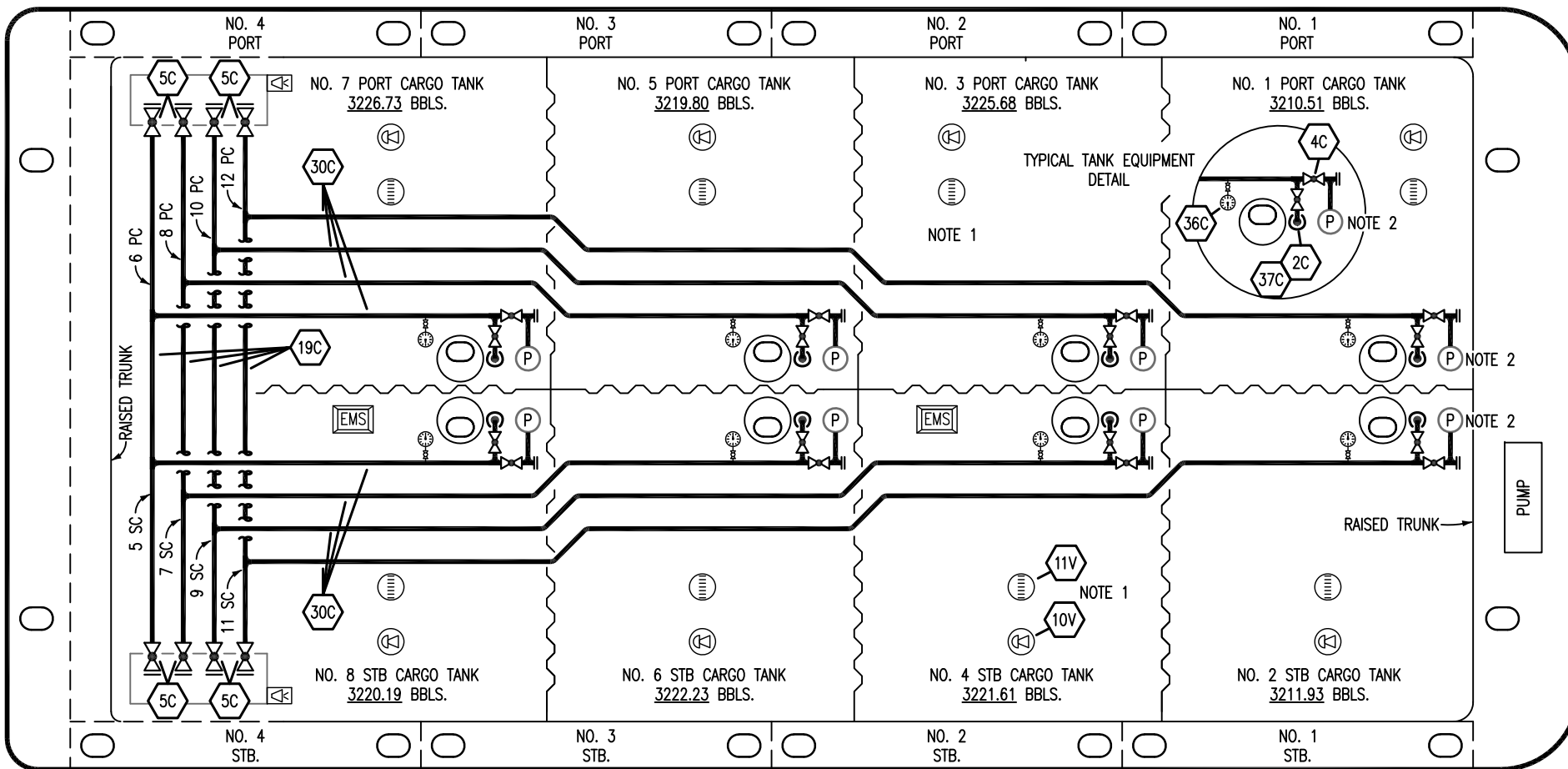


PORT

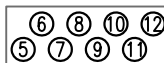
STERN

BOW

STARBOARD



CARGO HEADER ARRANGEMENT



STARBOARD VIEW

PORT CARGO HEADERS

- 6 PC - #1
- 8 PC - #2
- 10 PC - #3
- 12 PC - #4

STARBOARD CARGO HEADERS

- 5 SC - #1
- 7 SC - #2
- 9 SC - #3
- 11 SC - #4

NOTE

- 1: VALVE ARRANGEMENT TYPICAL IN EACH TANK
- 2: BELOW EVERY PRESSURE GAUGE (P) IS A CARGO DRAIN VALVE ON BOTTOM OF PIPE
- 3: ENVIRO-RITE AW-46 OIL ONLY

- NO 2C 4" LOAD VALVE
- NO 4C 4" DISCHARGE VALVE
- NO 5C HEADER VALVE
- NO 10V HIGH LEVEL ALARM
- NO 11V 1-METER GAUGE STICK

- NO 19C CARGO HEADER
- NO 30C CARGO PIPELINE
- NO 36C PRESSURE GAUGE
- NO 37C CARGO DROP (C)

REV.	DATE	BY	CHK	APP	REVISION DESCRIPTION
1	11/16/23	MRV	DDA	REM	REVISED PER CLIENT COMMENTS
0	10/29/18	MRV	DDA		ISSUED FOR APPROVAL

**KIRBY INLAND MARINE**

**CARGO PIPING FLOW DIAGRAM**

SCALE: NONE  
PAGE: 1 OF 3

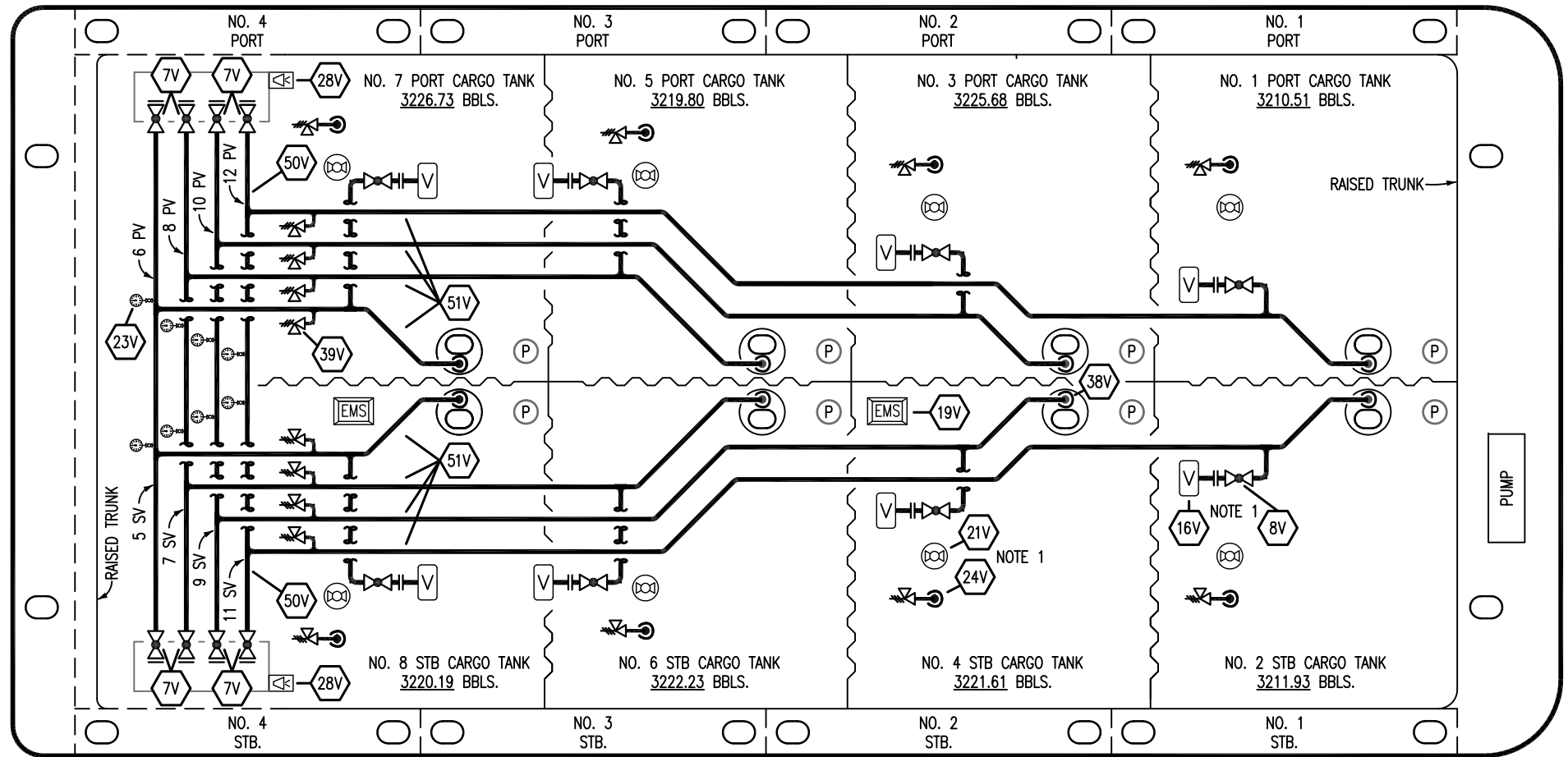
**KIRBY AL 2301** REV. **1**

THE SHEARER GROUP INC.

PORT

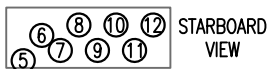
STERN

BOW



STARBOARD

VAPOR HEADER ARRANGEMENT



PORT VAPOR HEADERS

- 6 PV - #1
- 8 PV - #2
- 10 PV - #3
- 12 PV - #4

STARBOARD VAPOR HEADERS

- 5 SV - #1
- 7 SV - #2
- 9 SV - #3
- 11 SV - #4

- NO 7V HEADER VALVE
- NO 8V VENT STACK VALVE
- NO 16V VAPOR VENT STACK
- NO 19V EMERGENCY SHUT DOWN
- NO 21V HERMETIC GAUGE
- NO 23V PRESSURE GAUGE
- NO 24V PRESSURE RELIEF VALVE

- NO 28V DOCK CONNECTION ALARM
- NO 38V VAPOR DROP
- NO 39V PRESSURE/VACUUM VALVE
- NO 50V VAPOR HEADER
- NO 51V VAPOR PIPELINE
- ABOVE DECK PIPING

NOTE  
1: TYPICAL RIGGING IN EACH TANK  
2: ENVIRO-RITE AW-46 OIL ONLY

THE SHEARER GROUP INC.

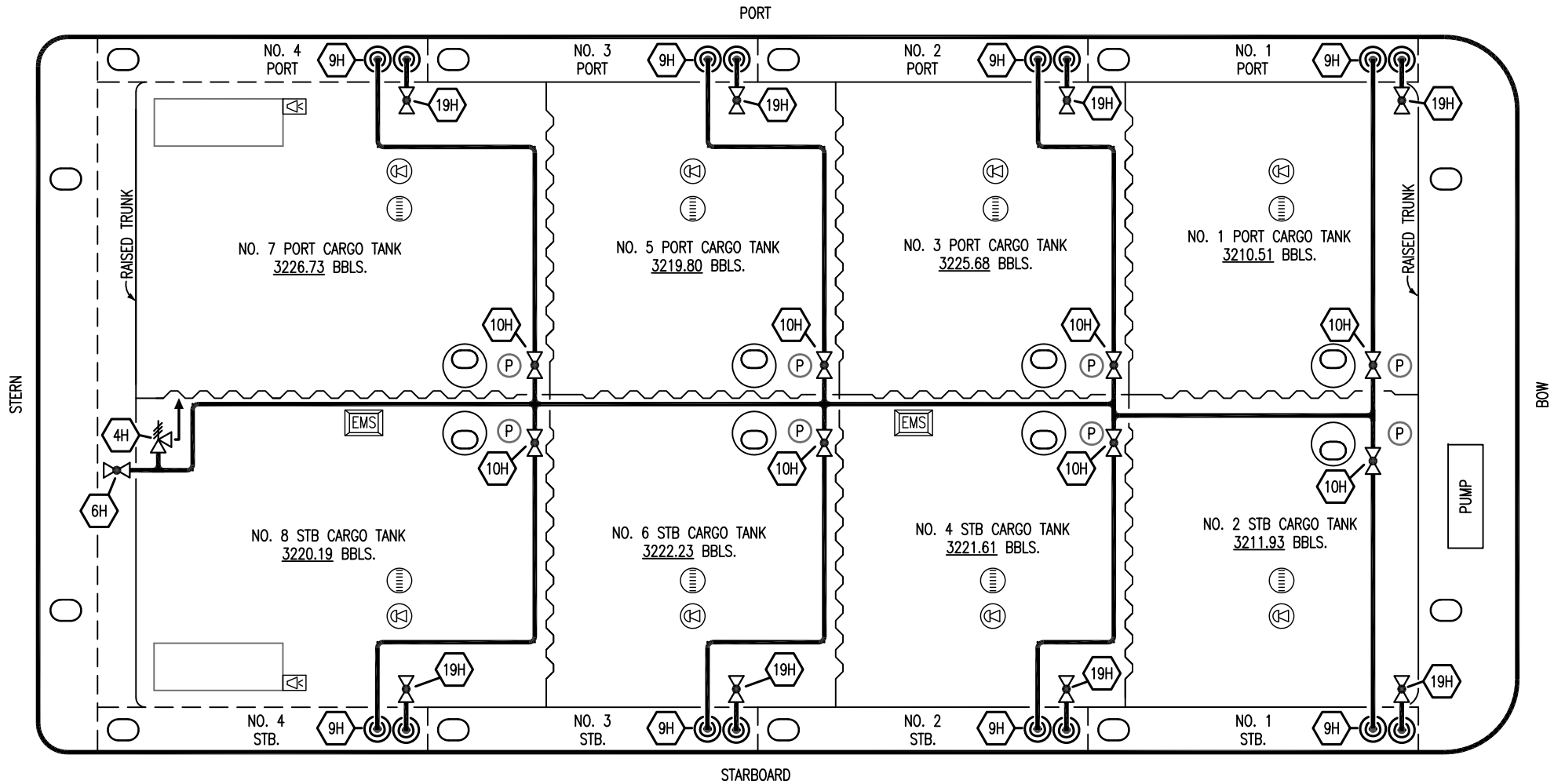
**KIRBY INLAND MARINE** 

**VAPOR PIPING FLOW DIAGRAM**

REV.	DATE	BY	CHK	APP	REVISION DESCRIPTION
1	11/16/23	MRV	DDA	REM	REVISED PER CLIENT COMMENTS
0	10/29/18	MRV	DDA		ISSUED FOR APPROVAL

SCALE: NONE  
PAGE: 2 OF 3

**KIRBY AL 2301** REV. 1



- |     |                   |
|-----|-------------------|
| NO  | DESCRIPTION       |
| 4H  | RELIEF VALVE      |
| 5H  | STEAM HEADER      |
| 6H  | HEADER VALVE      |
| 9H  | STEAM DROP        |
| 10H | SUPPLY VALVE      |
| 13H | STEAM PIPELINE    |
| 19H | RETURN VALVE      |
|     | ABOVE DECK PIPING |

THE SHEARER GROUP INC.

**KIRBY INLAND MARINE**

**STEAM  
PIPING FLOW DIAGRAM**

0	11/16/23	MRV	DDA	REM	ISSUED FOR APPROVAL
REV.	DATE	BY	CHK	APP	REVISION DESCRIPTION

SCALE: NONE  
PAGE: 3 OF 3

**KIRBY AL 2301** REV. **0**