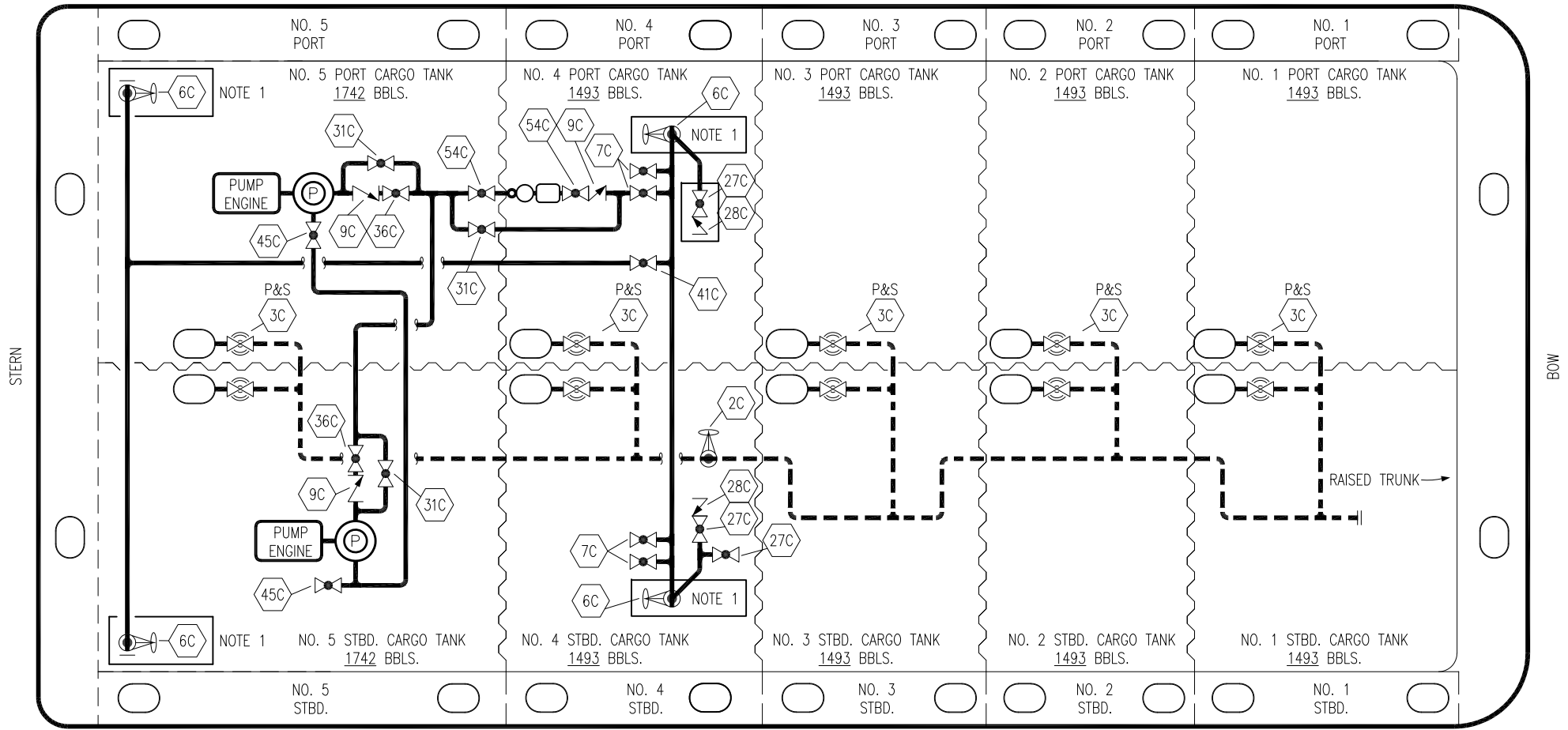


PORT



STARBOARD

STERN

BOW

NO	DESCRIPTION	NO	DESCRIPTION
2C	LOAD VALVE	41C	SUCTION BLOCK VALVE
3C	SUCTION VALVE	45C	PUMP SUCTION VALVE
4C	DISCHARGE VALVE	54C	DISCHARGE METER VALVE
6C	TRANSVERSE HEADER VALVE	—	—
7C	TRANSVERSE HEADER BRANCH VALVE	—	—
9C	CHECK VALVE	—	—
27C	DRIP PAN VALVE	—	—
28C	DRIP PAN CHECK VALVE	—	—
31C	BYPASS VALVE	—	—
36C	PUMP DISCHARGE VALVE	—	—

— ABOVE DECK PIPING
 - - - BELOW DECK PIPING

NOTE 1: CONTAINMENT P/S

REV.	DATE	BY	CHK	APP	REVISION DESCRIPTION
0	10/08/18	MRV	DDA		ISSUED FOR CONSTRUCTION

KIRBY INLAND MARINE 

**CARGO
PIPING FLOW DIAGRAM**

SCALE: NONE
 PAGE: 1 OF 1

303

REV. **0**