

NOTE  
 1: VALVE ARRANGEMENT TYPICAL IN EACH TANK  
 2: BELOW EVERY PRESSURE GAUGE @ PUMP IS A CARGO DRAIN VALVE ON BOTTOM OF PIPE  
 3: ENVIRO-RITE AW-46 OIL ONLY

THE SHEARER GROUP INC.



# KIRBY INLAND MARINE

## CARGO PIPING FLOW DIAGRAM

SCALE: NONE	PAGE: 1 OF 2
ISSUED FOR APPROVAL	REVISION DESCRIPTION
0 07/03/18 WFB/IDDA	BY CHK APP
REV. DATE	REVISION DESCRIPTION

- |  |  |  |
|--|--|--|
| <p>CARGO HEADER ARRANGEMENT</p> <p>⑥ ⑧ ⑩ ⑫<br/>⑤ ⑦ ⑨ ⑪</p> | <p>STARBOARD CARGO HEADERS</p> <p>5 SC - #1<br/>7 SC - #2<br/>9 SC - #3<br/>11 SC - #4</p> | <p>PORT CARGO HEADERS</p> <p>6 PC - #1<br/>8 PC - #2<br/>10 PC - #3<br/>12 PC - #4</p> |
|--|--|--|

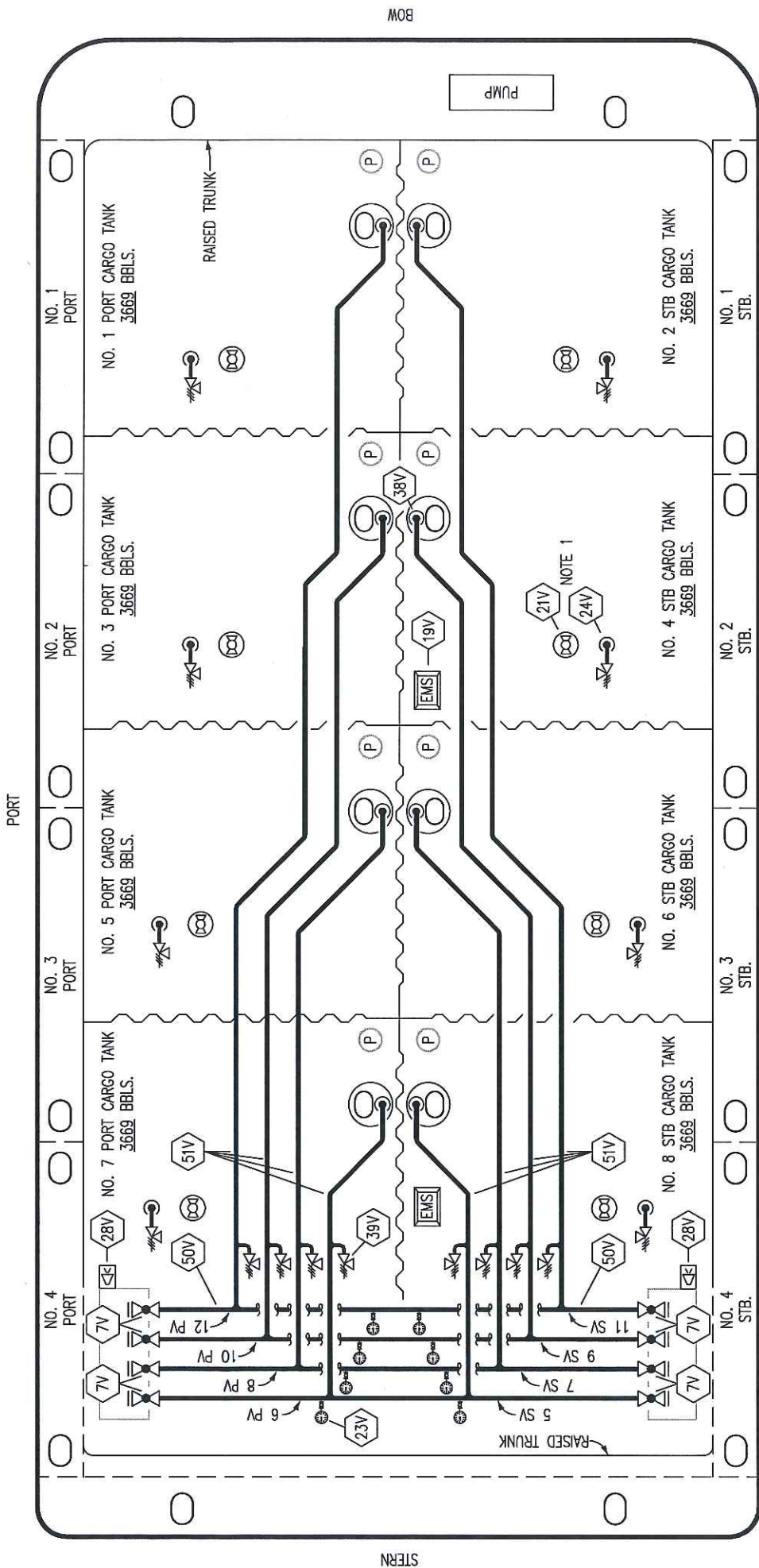
STARBOARD VIEW

- |   |  |
|---|--|
| <p>NO. DESCRIPTION</p> <p>2C 4" LOAD VALVE</p> <p>4C 4" DISCHARGE VALVE</p> <p>5C HEADER VALVE</p> <p>10V HIGH LEVEL ALARM</p> <p>11V 1-METER GAUGE STICK</p> | <p>NO. DESCRIPTION</p> <p>19C CARGO HEADER</p> <p>30C CARGO PIPELINE</p> <p>36C PRESSURE GAUGE</p> <p>37C CARGO DROP</p> |
|---|--|

SCALE: NONE	PAGE: 1 OF 2
ISSUED FOR APPROVAL	REVISION DESCRIPTION
0 07/03/18 WFB/IDDA	BY CHK APP
REV. DATE	REVISION DESCRIPTION


**KIRBY AL 2300**

REV. 0



NOTE  
 1: TYPICAL RIGGING IN EACH TANK  
 2: ENVIRO-RITE AW-46 OIL ONLY

THE SHEARER GROUP INC.



# KIRBY INLAND MARINE

## VAPOR PIPING FLOW DIAGRAM

REV.	DATE	BY	CHK APP	ISSUED FOR APPROVAL	REVISION DESCRIPTION
0	07/03/18	WFB	DDA		

SCALE: NONE	PAGE: 2 OF 2
-------------	--------------

- |                                 |                                |  |
|---------------------------------|--------------------------------|--|
| <b>VAPOR HEADER ARRANGEMENT</b> | <b>STARBOARD VAPOR HEADERS</b> |  |
| ⑥ ⑧ ⑩ ⑫                         | 5 SV - #1                      |  |
| ⑦ ⑨ ⑪                           | 6 PV - #1                      |  |
|                                 | 8 PV - #2                      |  |
|                                 | 10 PV - #3                     |  |
|                                 | 12 PV - #4                     |  |

- |           |                       |
|-----------|-----------------------|
| <b>NO</b> | <b>DESCRIPTION</b>    |
| 7V        | HEADER VALVE          |
| 19V       | EMERGENCY SHUT DOWN   |
| 21V       | HERMETIC GAUGE        |
| 23V       | PRESSURE GAUGE        |
| 24V       | PRESSURE RELIEF VALVE |
| 28V       | DOCK CONNECTION ALARM |
| 38V       | VAPOR DROP            |
| 39V       | PRESSURE/VACUUM VALVE |
| 50V       | VAPOR HEADER          |
| 51V       | VAPOR PIPELINE        |
|           | ABOVE DECK PIPING     |

