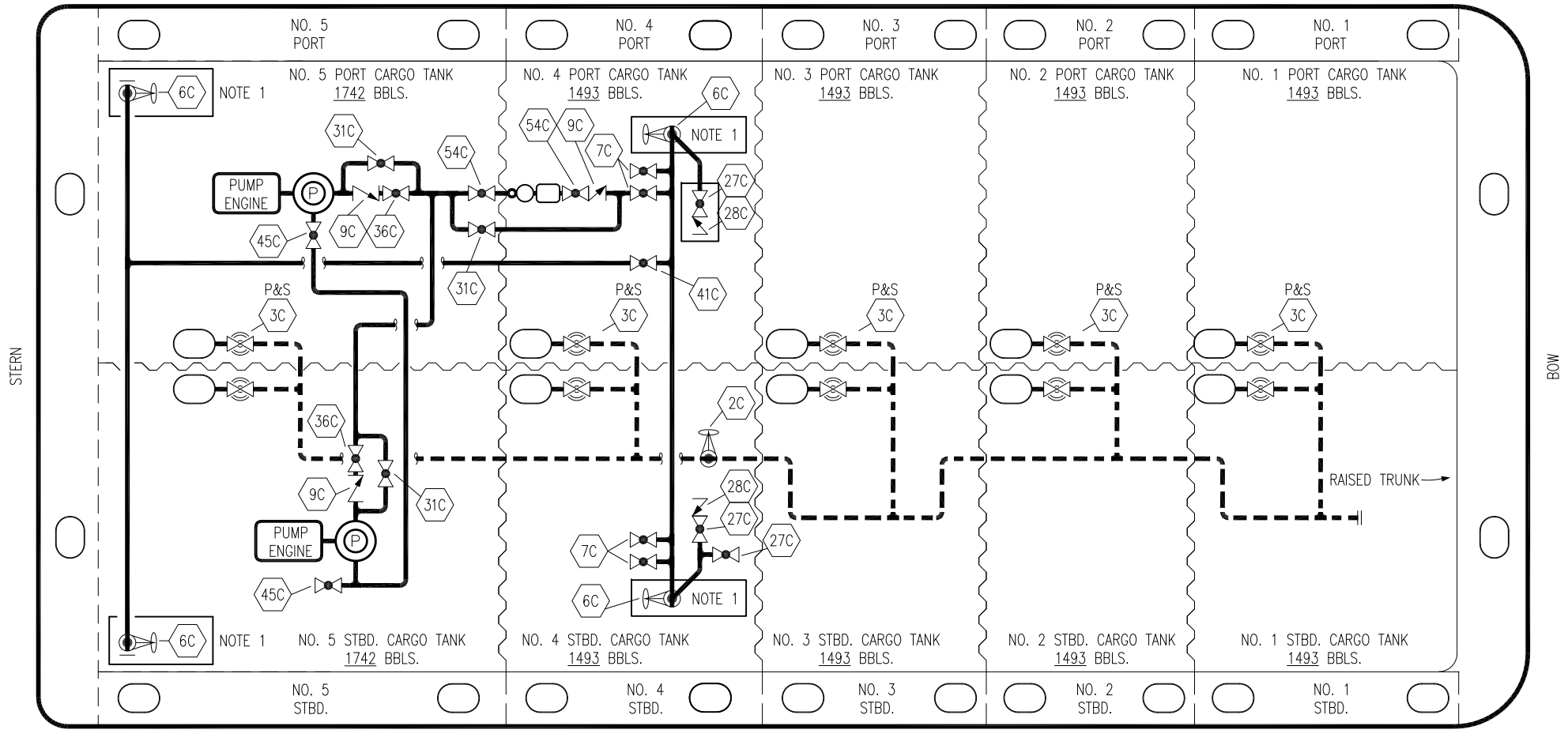


PORT



STARBOARD

NO	DESCRIPTION	NO	DESCRIPTION
2C	LOAD VALVE	41C	SUCTION BLOCK VALVE
3C	SUCTION VALVE	45C	PUMP SUCTION VALVE
4C	DISCHARGE VALVE	54C	DISCHARGE METER VALVE
6C	TRANSVERSE HEADER VALVE	—	ABOVE DECK PIPING
7C	TRANSVERSE HEADER BRANCH VALVE	---	BELOW DECK PIPING
9C	CHECK VALVE		
27C	DRIP PAN VALVE		
28C	DRIP PAN CHECK VALVE		
31C	BYPASS VALVE		
36C	PUMP DISCHARGE VALVE		

NOTE 1: CONTAINMENT P/S

REV.	DATE	BY	CHK	APP	REVISION DESCRIPTION
0	10/22/19	NRB	DDA		ISSUED FOR APPROVAL

KIRBY INLAND MARINE 

**CARGO
PIPING FLOW DIAGRAM**

SCALE: NONE
PAGE: 1 OF 1

301

REV. **0**