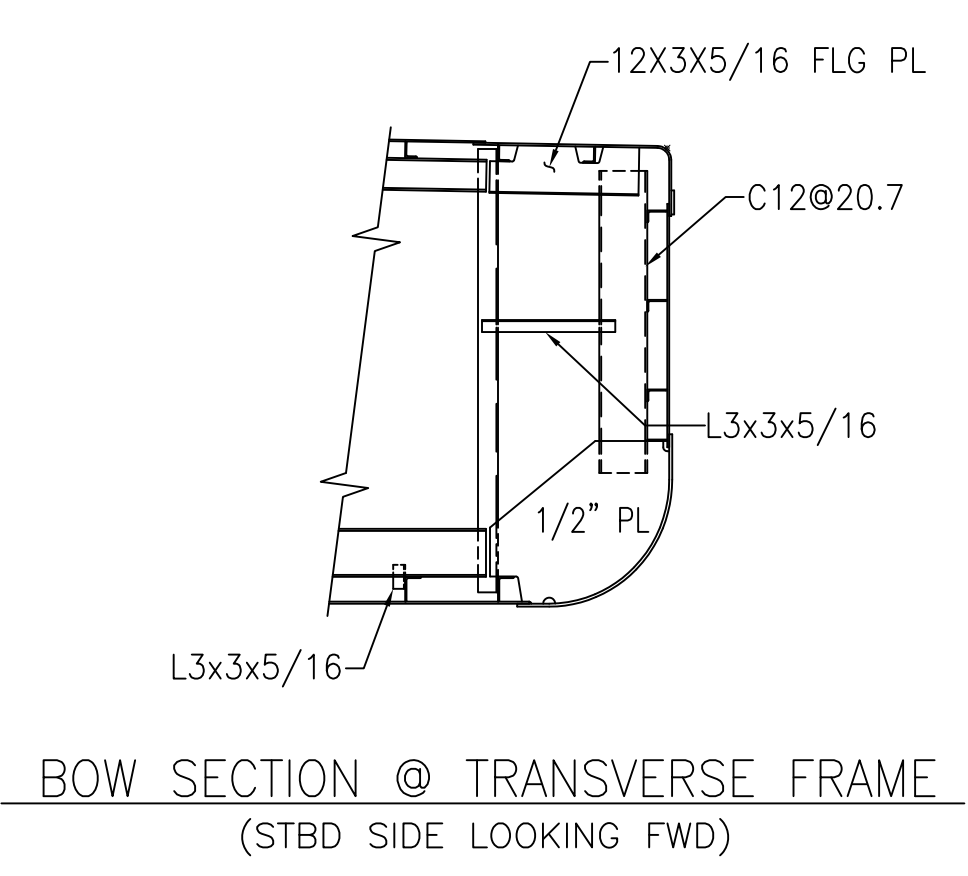
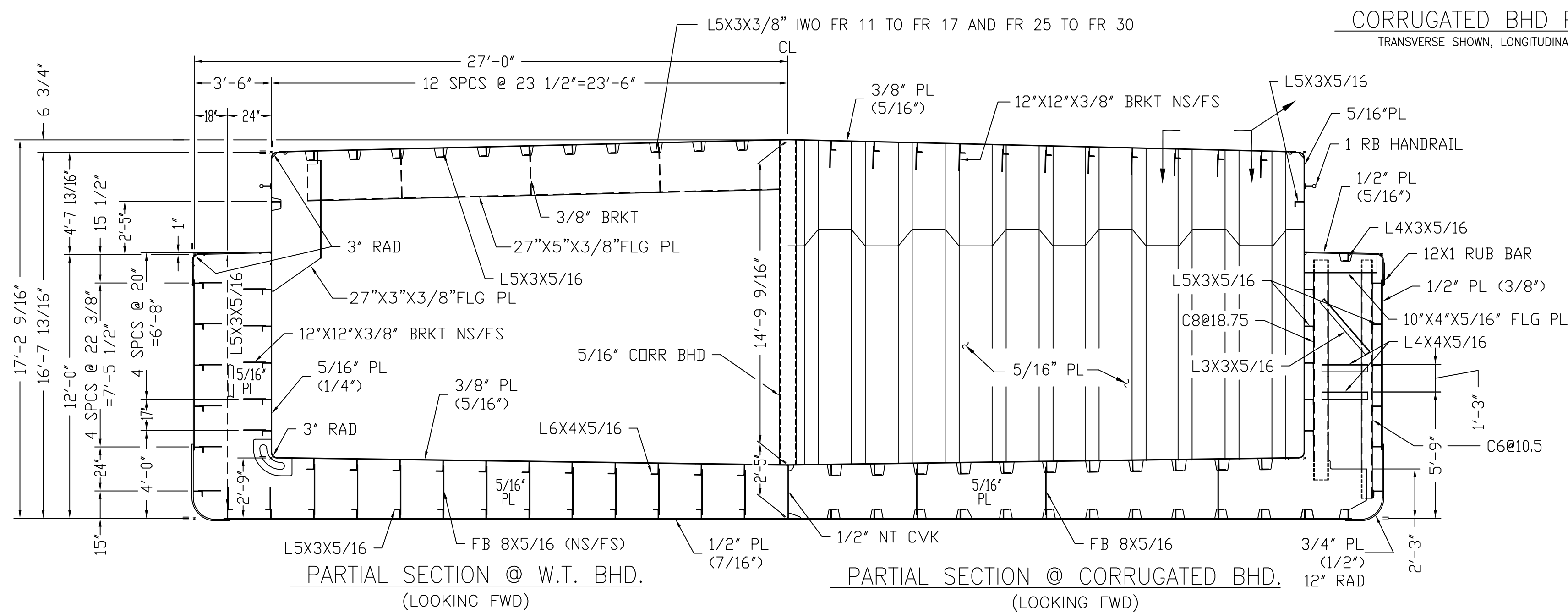
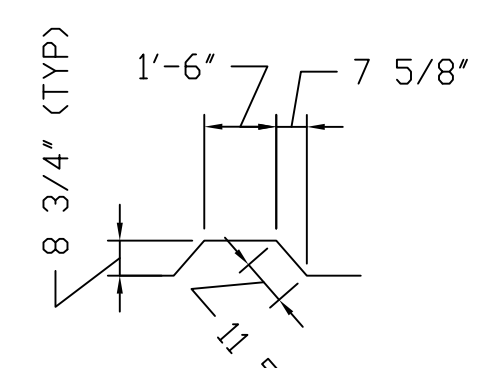
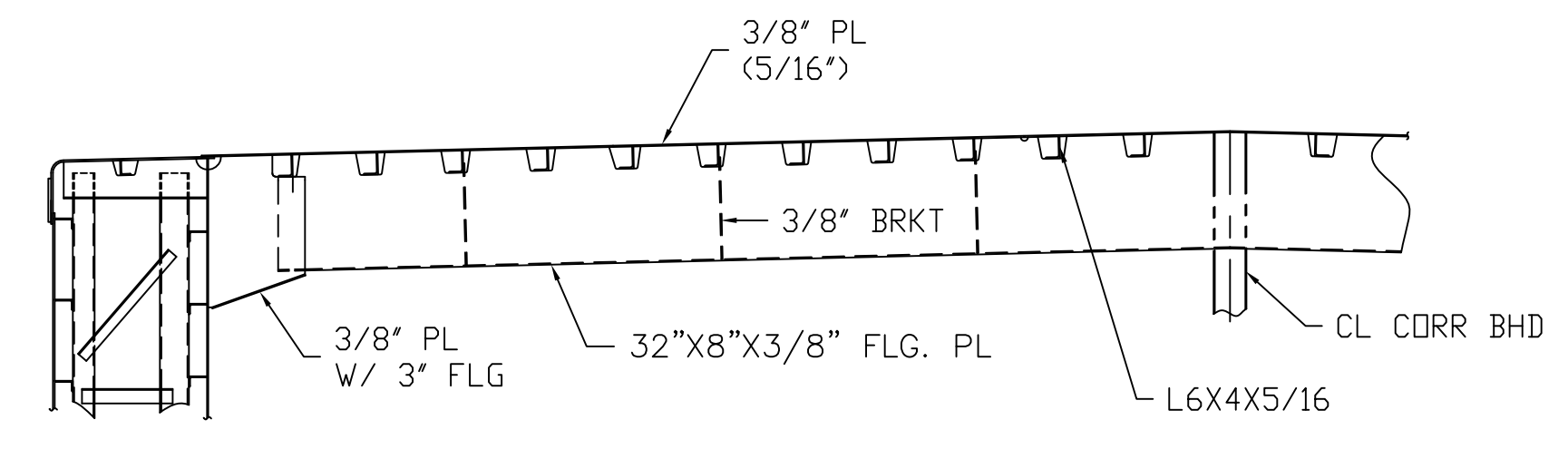
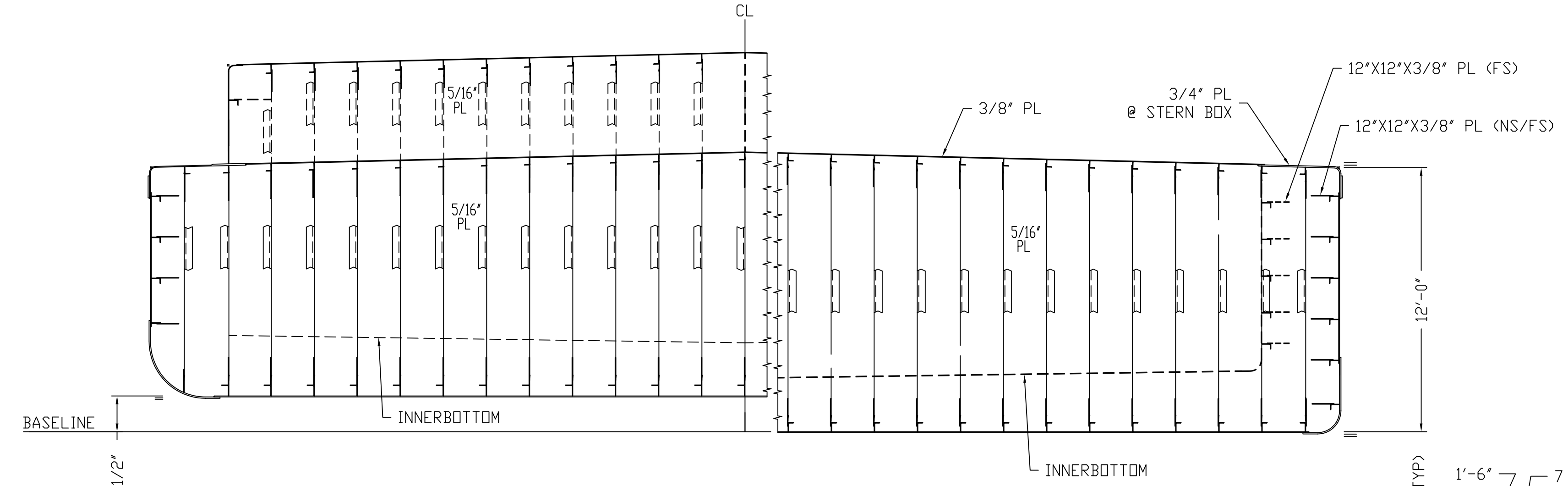
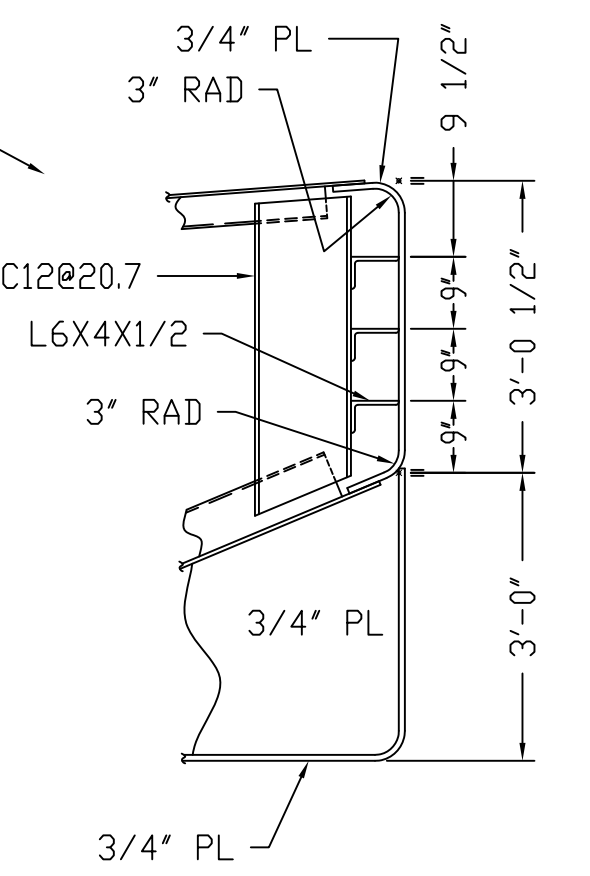
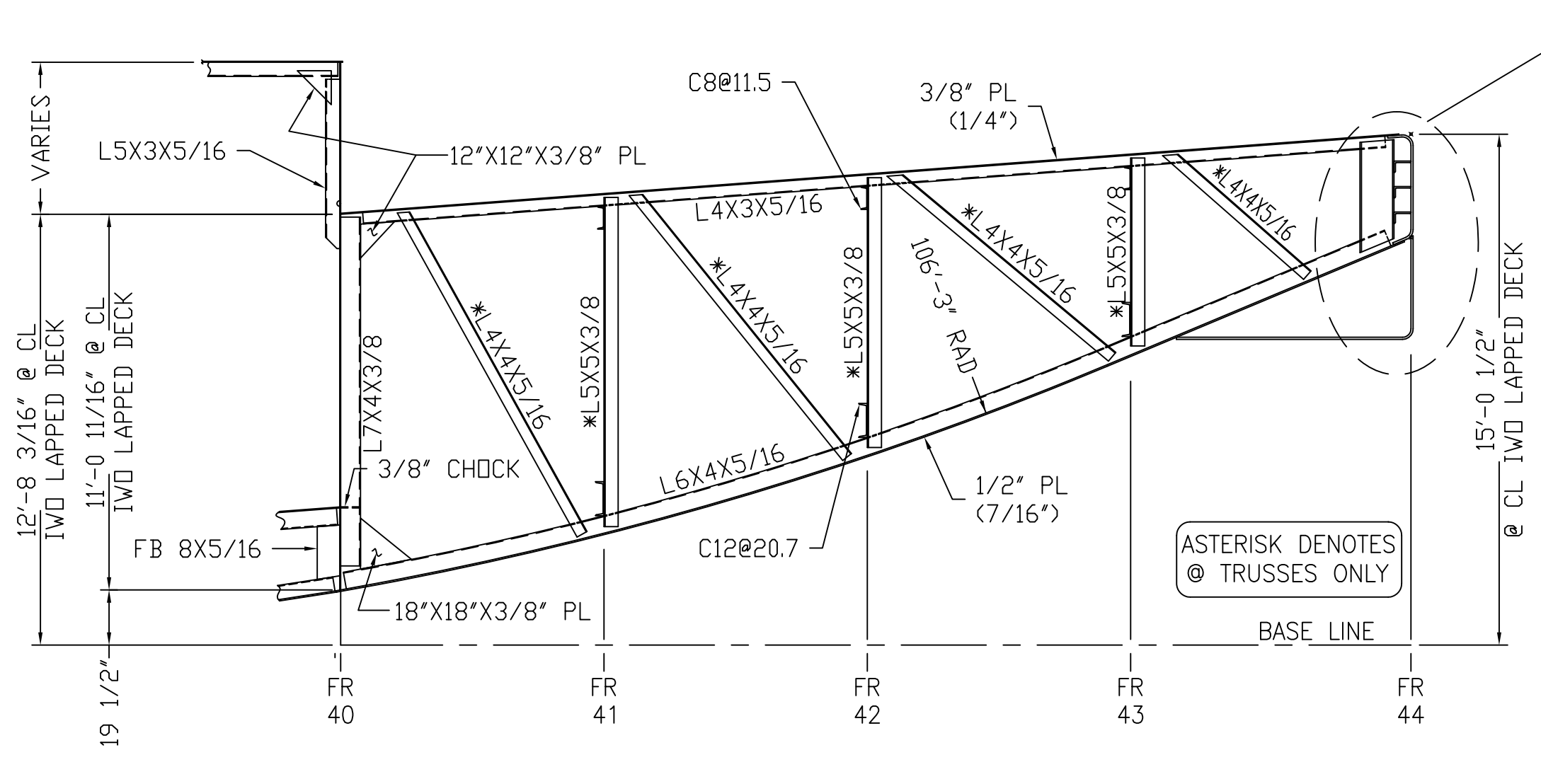
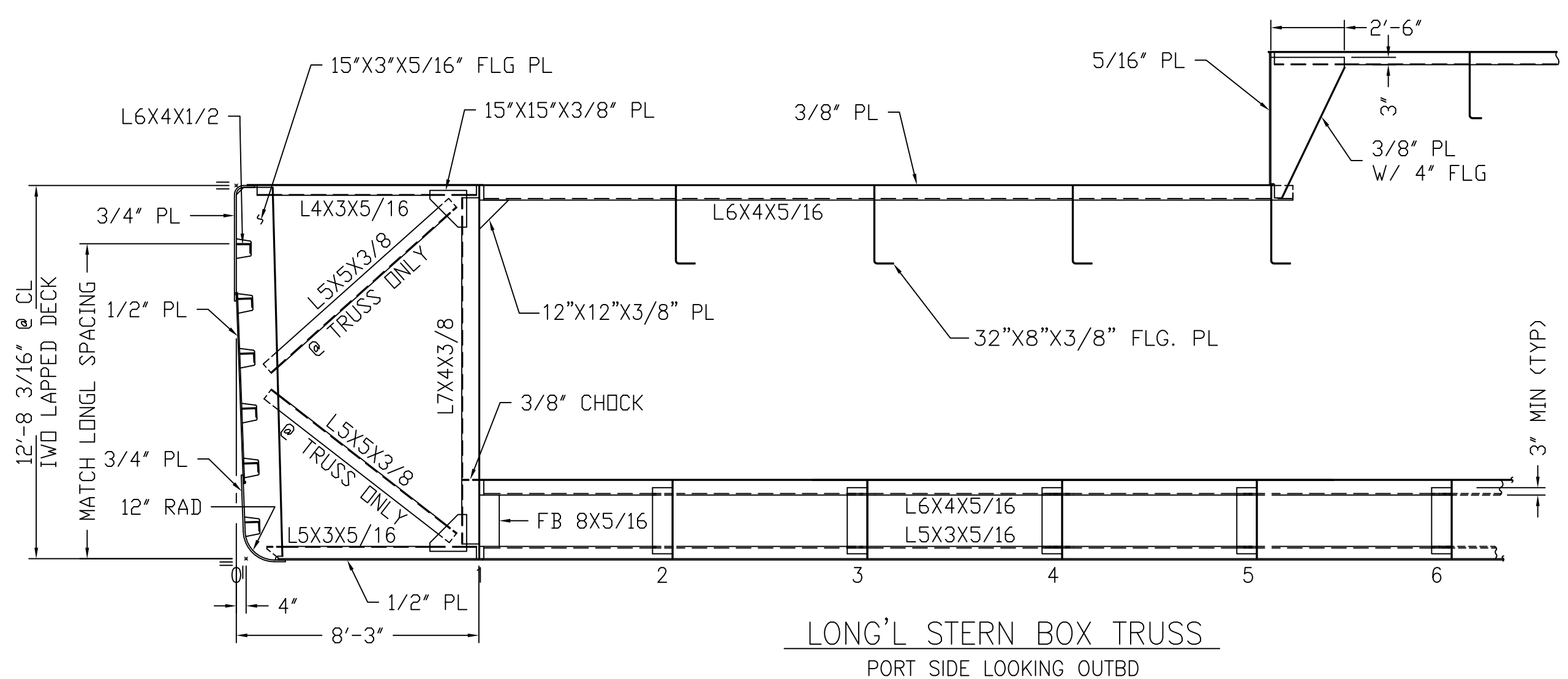


GENERAL NOTES

- SCANTLINGS BASED ON BUILDERS INTERPRETATION OF 2014 AMERICAN BUREAU OF SHIPPING (ABS) "RULES FOR BUILDING AND CLASSING STEEL VESSELS FOR SERVICE ON RIVERS AND INTRACOASTAL WATERWAYS". CARGO TANK SCANTLINGS ARE BUILT TO TANK BOUNDARY (DEEP TANK) BULKHEAD RULES FOR SPECIFIC GRAVITY OF 1.05.
- ALL MATERIALS, WELDING PROCEDURES AND TESTING SHALL MEET THE REQUIREMENTS OF THE U.S.C.G. AND ABS.
- ALL HULL STEEL WILL BE ASTM A-36 UNLESS STATED OTHERWISE.
- ALL DETAILS OF CONSTRUCTION AND WORKMANSHIP SHALL BE DONE TO THE STANDARDS SET FOR INLAND BARGES.
- CARGO TANK STRUCTURE BUILT FOR MAWP OF 3.0 PSIG. PV VALVE SETTING WILL BE 1.5PSI PRESSURE AND 0.5PSI VACUUM.
- ALL INNER BOTTOM, WING AND END COMPARTMENTS ARE DRY VOIDS.

REV	ITEM	DESCRIPTION	DATE	BY
6		ADDED FOUR ADDITIONAL HULLS	061915	MEC
5		ADDED TWO ADDITIONAL HULLS	021915	KJA
4		ROTATED STERN WINCHES PRE CUSTOMER	111314	KJA
3		ROTATED AFT WINCHES TO ASBUILT 96230	091914	KJA
2		ROTATED WINCHES & CHANGED RUB BAR	091214	KJA
1		ROTATED WINCHES ON THE STERN	052814	KJA
REVISIONS				
TRINITY MARINE PRODUCTS, INC.				
The drawings and the information shown thereon are copyrighted by Trinity Marine Products (2014) and the sole property of Trinity Marine Products. Neither the drawings nor such information is to be used for any purpose other than that for which it was specifically furnished from Trinity Marine Products, LLC, nor is any reproduction authorized without written permission.				
TRINITY MARINE PRODUCTS, INC.				
TANK BARGE DIVISION P.O. BOX 790 - Madisonville, La 70447				
HIGMAN BARGE LINES, INC.				
297'-6" X 54'-0" X 12'-0" SINGLE RAKE DOUBLE SKIN TANK BARGE				
GENERAL ARRANGEMENT				
SCALE: 3/32" = 1'-0"	DATE: 04-23-2014	DWG NO.		
DRAWN BY: KJA	CK'D BY: MEC	APPR BY:	S-01	
YARD: ASHLAND CITY	TAG NO. 96238	SHT 1 OF 2		
HULL NO. SEE HULL NOTE	SHOP ORDER:	REV. 6		
WAS 38230501-011				

HULL NOTE:
HULL NO. 5058 - 5059
HULL NO. 5075 - 5084
HULL NO. 5146 - 5151



GENERAL NOTES

VESSEL STRUCTURE TO BE APPROVED FOR REDUCED PLATE THICKNESS. THICKNESS TO BE NOTED AS FOLLOWS:
 ACTUAL PLATE THICKNESS
 (APPROVED PLATE THICKNESS)

3	ADDED FOUR ADDITIONAL HULLS	062315	MEC	
2	ADDED TWO ADDITIONAL HULLS	021915	KJA	
1	CHANGED THE RUB BAR TO 12" X 1"	121214	KJA	
REV	ITEM	DESCRIPTION	DATE	BY
REVISIONS				
TRINITY MARINE PRODUCTS, INC.				
<small>The drawings and the information shown hereon are copyrighted by Trinity Marine Products (2014) and the sole property of Trinity Marine Products. Neither the drawings nor such information is to be used for any purpose other than that for which it was specifically furnished from Trinity Marine Products, LLC, nor is any reproduction authorized without written permission.</small>				
TRINITY MARINE PRODUCTS, INC. TANK BARGE DIVISION P.O. BOX 790 - Madisonville, La 70447				
HIGMAN BARGE LINES, INC.				
297'-6" X 54'-0" X 12'-0" SINGLE RAKE DOUBLE SKIN TANK BARGE				
GENERAL ARRANGEMENT				
SCALE: 1/4"=1'-0"	DATE: 04/23/14	DWG NO.		
DRAWN BY: MEC	CK'D BY: MEC	APPR BY:	S-01	
YARD: ASHLAND CITY	TAG NO. 96238	SHT 2 OF 2		
HULL NO. SEE HULL NOTE	SHOP ORDER:	REV. 3		
<small>WAS 9623801-020</small>				

HULL NOTE:
 HULL NO. 5058 - 5059
 HULL NO. 5075 - 5084
 HULL NO. 5146 - 5151