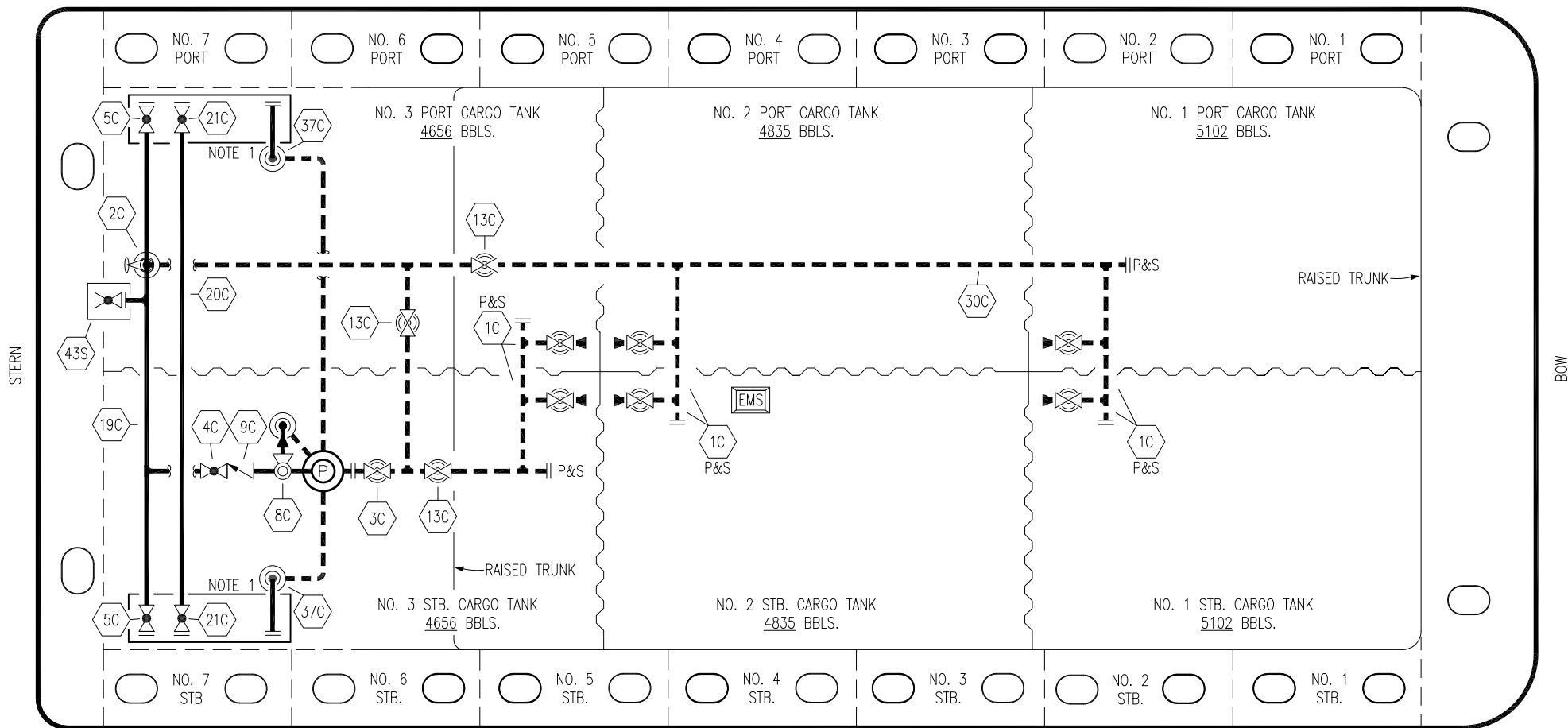


PORT



STARBOARD

- | | | | |
|-----|--------------------------|-----|-----------------------|
| NO | DESCRIPTION | NO | DESCRIPTION |
| 1C | CARGO TANK VALVE | 20C | DUMMY HEADER PIPING |
| 2C | LOAD VALVE | 21C | DUMMY HEADER VALVE |
| 3C | MASTER SUCTION VALVE | 30C | CARGO PIPELINE |
| 4C | DISCHARGE VALVE | 37C | CARGO DROP |
| 5C | HEADER VALVE | 43S | STERN HEADER VALVE |
| 8C | RELIEF VALVE | — | — ABOVE DECK PIPING |
| 9C | CHECK VALVE | --- | --- BELOW DECK PIPING |
| 13C | CARGO PIPING BLOCK VALVE | | |
| 19C | CARGO HEADER | | |

NOTE 1: CONTAINMENT P/S

| | | | | |
|------|----------|-----|-----|----------------------|
| 0 | 02/15/19 | MRV | DDA | ISSUED FOR APPROVAL |
| REV. | DATE | BY | CHK | APP |
| | | | | REVISION DESCRIPTION |

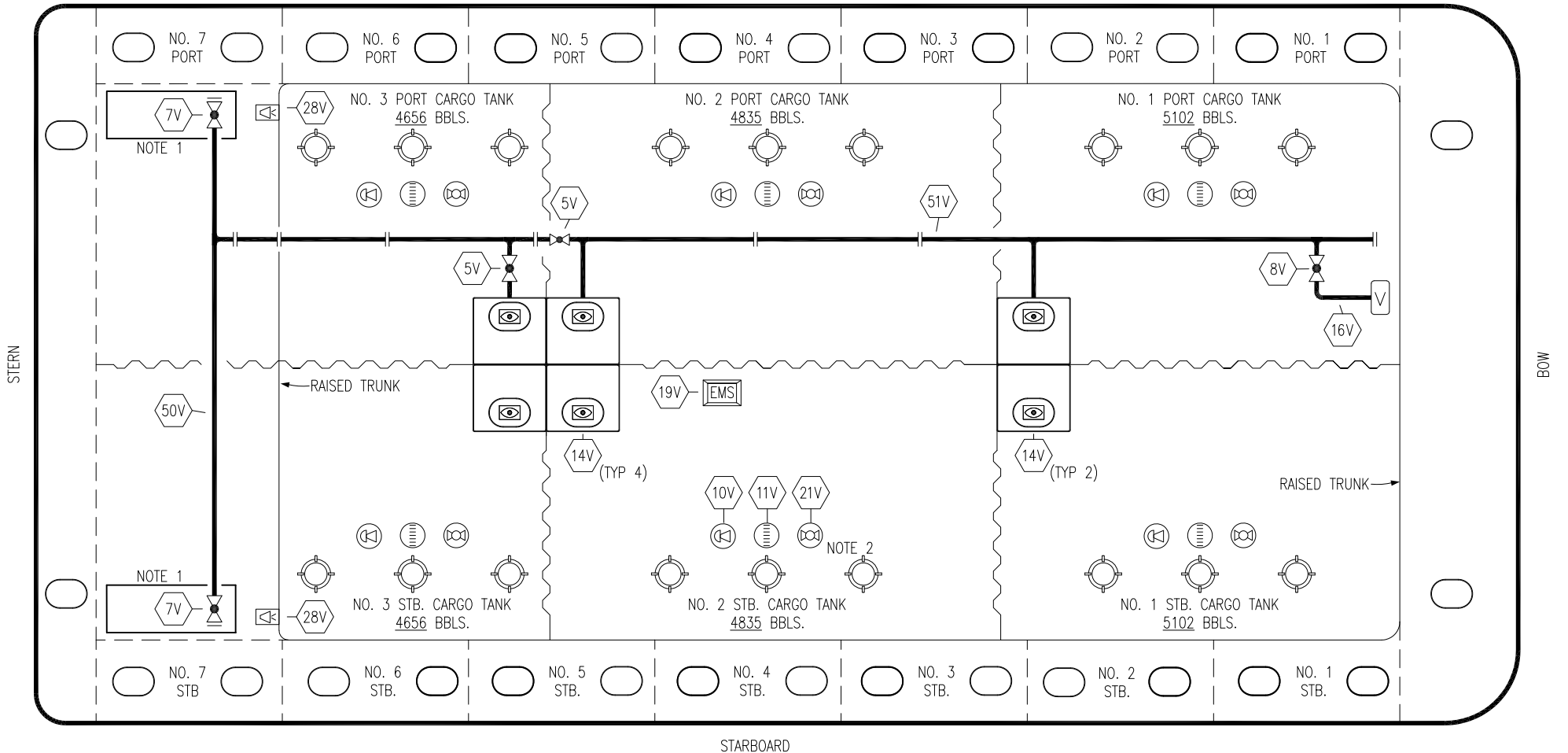
TRINITY

KIRBY INLAND MARINE

**CARGO
PIPING FLOW DIAGRAM**

| | | |
|--------------|-----------------|--------|
| SCALE: NONE | CTCO 316 | REV. 0 |
| PAGE: 1 OF 2 | | |

PORT



STARBOARD

- | | | | |
|-----|---------------------------|-----|----------------------------|
| NO | DESCRIPTION | NO | DESCRIPTION |
| 5V | BLOCK VALVE | 19V | EMERGENCY ENGINE SHUT DOWN |
| 7V | HEADER VALVE | 21V | HERMETIC GAUGE |
| 8V | VENT STACK VALVE | 28V | DOCK CONNECTION ALARM |
| 10V | HIGH LEVEL/OVERFILL ALARM | 50V | VAPOR HEADER |
| 11V | 1-METER GAUGE STICK | 51V | VAPOR PIPELINE |
| 14V | SIGHT GLASS | — | ABOVE DECK PIPING |
| 16V | VAPOR VENT STACK | | |

NOTE 2: TYPICAL RIGGING IN EACH TANK

NOTE 1: CONTAINMENT P/S

TRINITY

KIRBY INLAND MARINE 

**VAPOR
PIPING FLOW DIAGRAM**

| | | | | |
|------|----------|-----|-----|----------------------|
| 0 | 02/15/19 | MRV | DDA | ISSUED FOR APPROVAL |
| REV. | DATE | BY | CHK | APP |
| | | | | REVISION DESCRIPTION |

| | |
|--------|--------|
| SCALE: | NONE |
| PAGE: | 2 OF 2 |

CTCO 316

REV. **0**