

NO	DESCRIPTION	NO	DESCRIPTION
1C	CARGO TANK VALVE	13C	CARGO PIPING BLOCK VALVE
2C	LOAD VALVE	19C	CARGO HEADER
3C	MASTER SUCTION VALVE	20C	DUMMY HEADER PIPING
4C	DISCHARGE VALVE	21C	DUMMY HEADER VALVE
5C	HEADER VALVE	30C	CARGO PIPELINE
8C	RELIEF VALVE	37C	CARGO DROP
9C	CHECK VALVE	—	ABOVE DECK PIPING
		- - -	BELOW DECK PIPING

NOTE 1: CONTAINMENT P/S

0	02/15/19	MRV	DDA		ISSUED FOR APPROVAL
REV.	DATE	BY	CHK	APP	REVISION DESCRIPTION

CONRAD

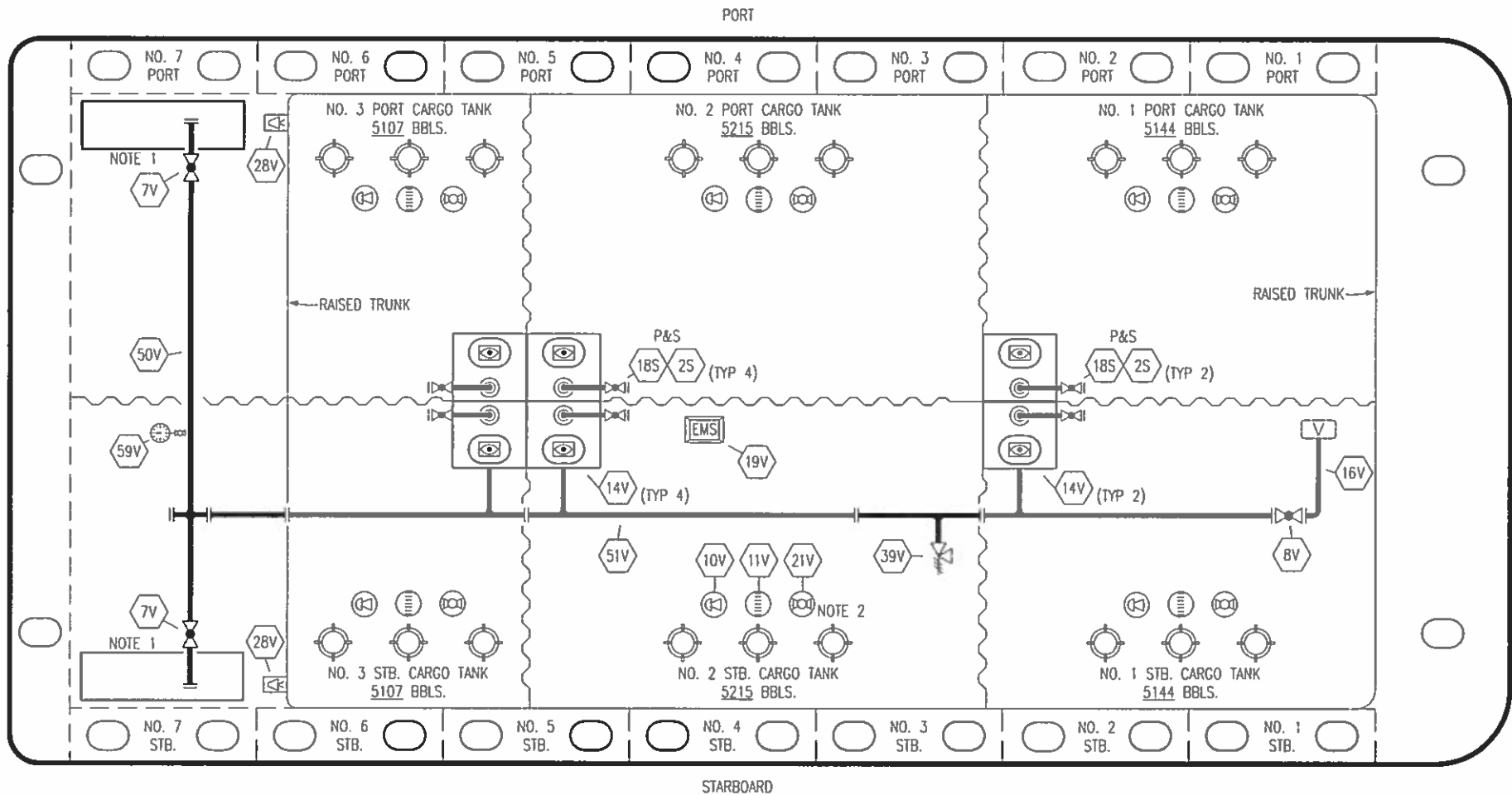
KIRBY INLAND MARINE

**CARGO
PIPING FLOW DIAGRAM**

CTCO 250

SCALE: NONE
PAGE: 1 OF 2

REV. **0**



- | | | | |
|-----|----------------------------|-----|--------------------------|
| NO | DESCRIPTION | NO | DESCRIPTION |
| 7V | HEADER VALVE | 28V | DOCK CONNECTION ALARM |
| 8V | VENT STACK VALVE | 50V | VAPOR HEADER |
| 10V | HIGH LEVEL/OVERFILL ALARM | 51V | VAPOR PIPELINE |
| 11V | 1-METER GAUGE STICK | 59V | PRESS/VAC GAUGE |
| 14V | SIGHT GLASS | 2S | CARGO SUMP SUCTION VALVE |
| 19V | EMERGENCY ENGINE SHUT DOWN | 18S | STRIPPING DROP |
| 21V | HERMETIC GAUGE | — | ABOVE DECK PIPING |

NOTE 2: TYPICAL RIGGING IN EACH TANK

NOTE 1: CONTAINMENT P/S

CONRAD

REV.	DATE	BY	CHK	APP	REVISION DESCRIPTION
0	02/15/18	MRV	DDA		ISSUED FOR APPROVAL

KIRBY INLAND MARINE



VAPOR PIPING FLOW DIAGRAM

SCALE: NONE

PAGE: 2 OF 2

CTCO 250

REV. 0